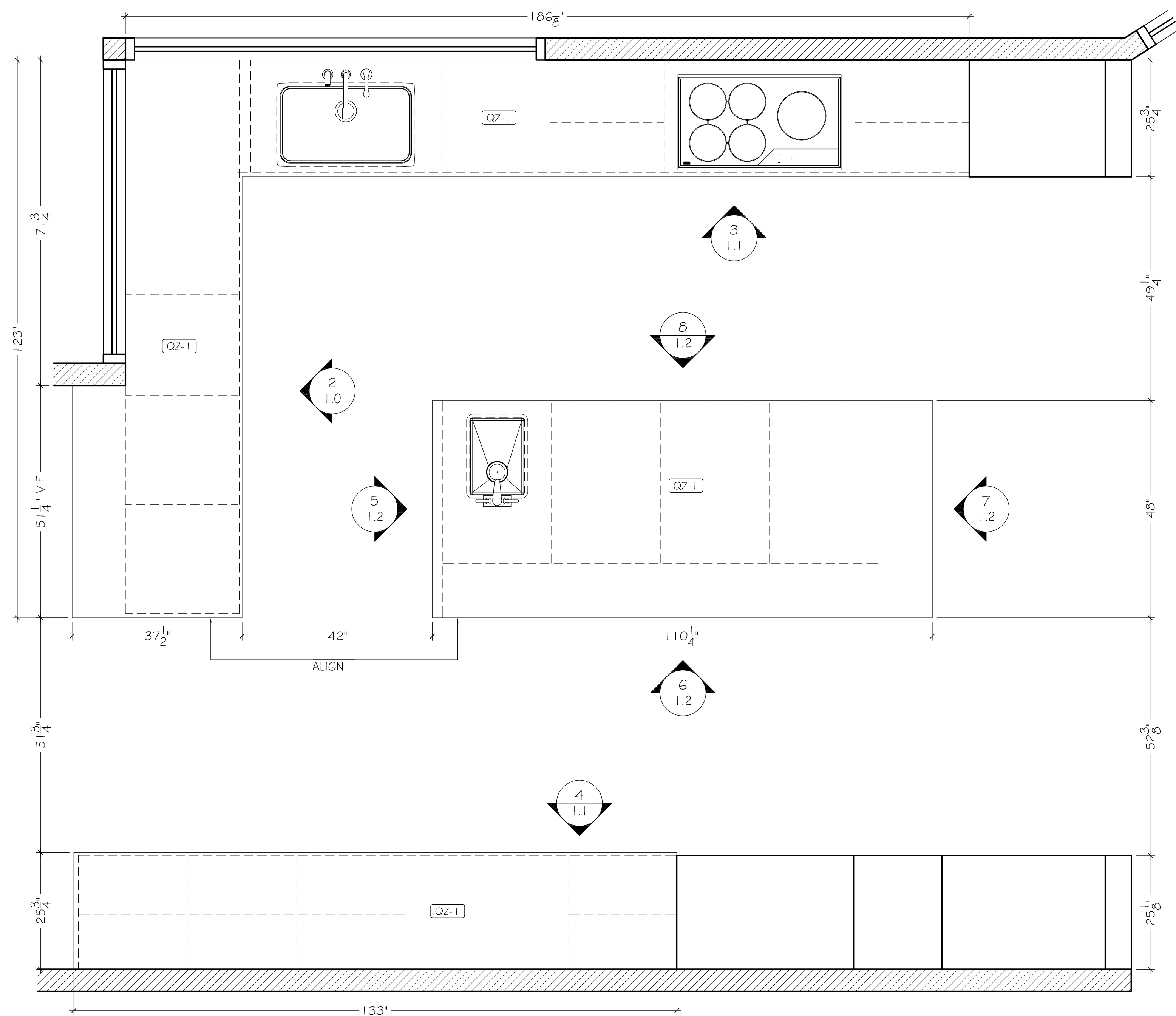
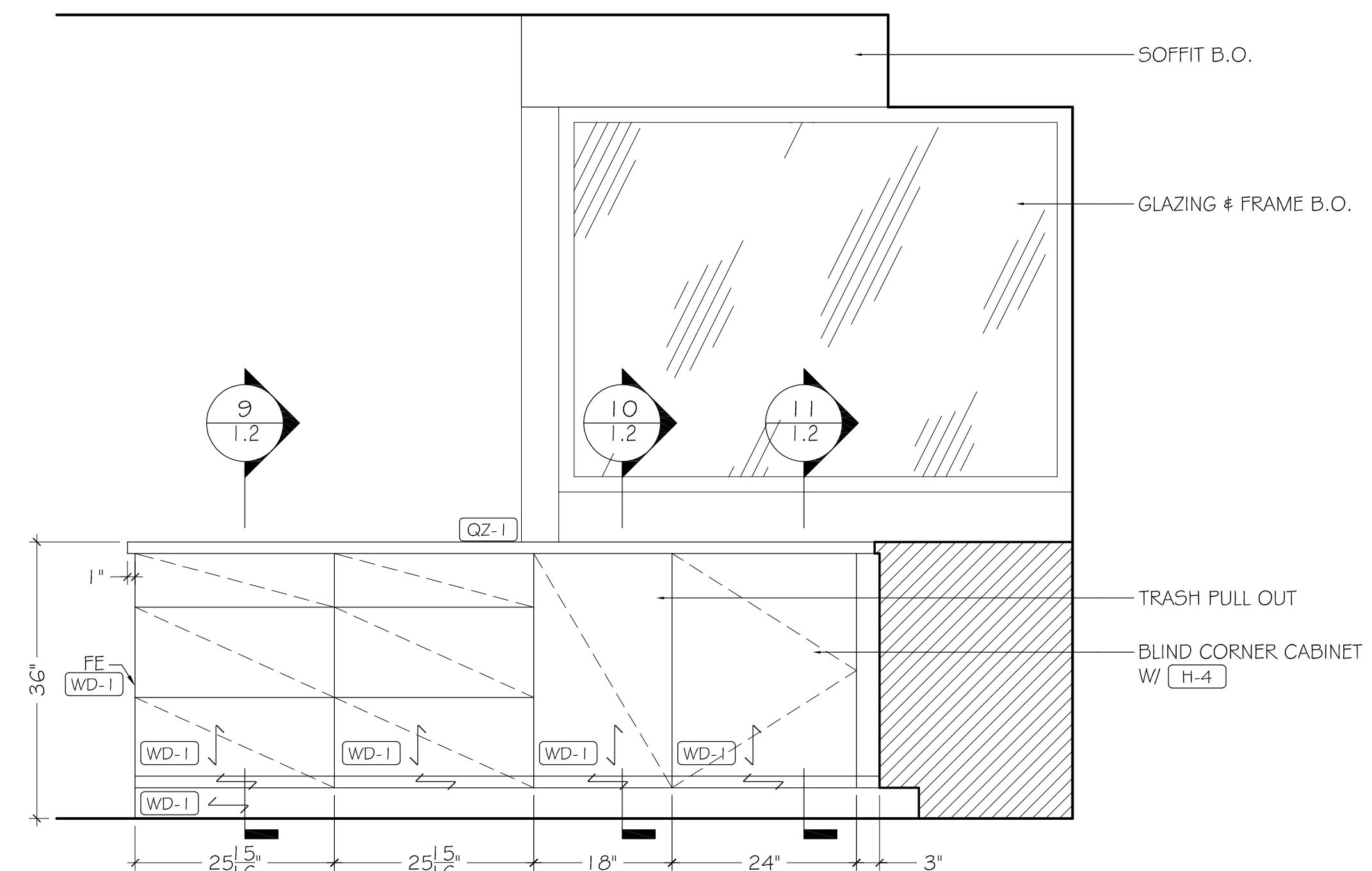


ARCH NOTE:
PLEASE PROVIDE SPECS FOR SINKS & FAUCETS.



1 PLAN: KITCHEN
SCALE: 3/4" = 1'-0"
REF: K-01



2 ELEVATION: KITCHEN
SCALE: 3/4" = 1'-0"
REF: K-02

GLASS	
GL-1	BACK PAINTED GLASS
WOOD, VENEER, MELAMINE	
WD-1	QUARTER SAWN WHITE OAK W/ MEDIUM GREY STAIN, MULTI-DEPTH CERUSED FINISH
WD-2	3/4" BIRCH PLYWOOD W/ MATCHING EDGE BAND - SHOP PAINTED, COLOR T.B.D.
PF-1	PRE-FINISHED MAPLE PLYWOOD
SOLID SURFACE, STONE, METAL GLASS	
QZ-1	QUARTZ - WHITE
ST-1	SILVER ATHENS CREAM MARBLE
QZ-1	QUARTZ - WHITE
MT-1	1/2" X 2" STEEL W/ CHROME FINISH
PAINT	
PT-1	BENJAMIN MOORE #1613 SILENT NIGHT, HIGH GLOSS FINISH
PT-2	WHITE
HARDWARE	
H-1	HINGES: BLUM CLIP TOP 120° CONCEALED HINGE
H-2	DRAWER GLIDES: BLUM TANTUM PLUS #568H
H-3	TRASH PULL-OUT: CENTURY COMPONENTS, 50 QT. DOUBLE WASTE BIN
H-4	BLIND CORNER PULL-OUT: HAFELE #54B.10.240 MAGIC CORNER II
H-5	1/2" X 1/2" X 1/2" ALUMINUM ANGLE
H-6	TOUCH LATCH: BLUM #956.1004 TIP - ON
H-7	STEEL OUTRIGGER
H-8	TALL METAL LEG - CHROME FINISH
H-9	SHORT METAL LEG - CHROME FINISH
H-10	COAT ROD: RICHELIEU #122208140, CHROME FINISH
H-11	COAT ROD END FLANGE: RICHELIEU #9764114140, CHROME FINISH
H-12	PULL OUT HAMPER
MISCELLANEOUS	
CONESTOGA WOOD SPECIALISTS - ALUMINUM FRAME, PROFILE #AFO10, BRUSHED STAINLESS STEEL FINISH, INSERT TYPE - BFG - SILVER MATTE W/ LIGHT GREY BACKER	
M-1	
M-2	RAVIVISIO CRYSTAL - SABBIA, HIGH GLOSS FINISH

NEILSON RESIDENCE

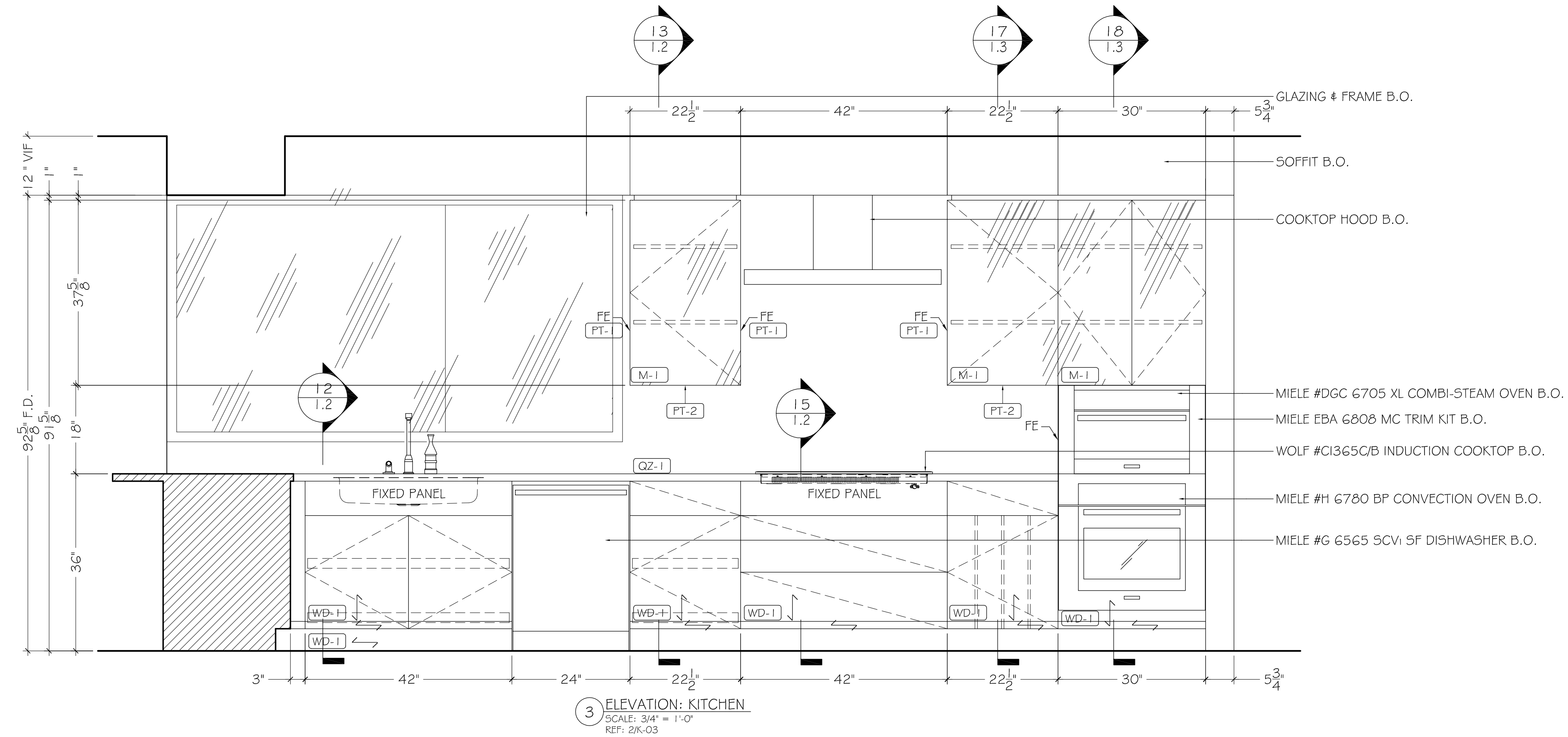
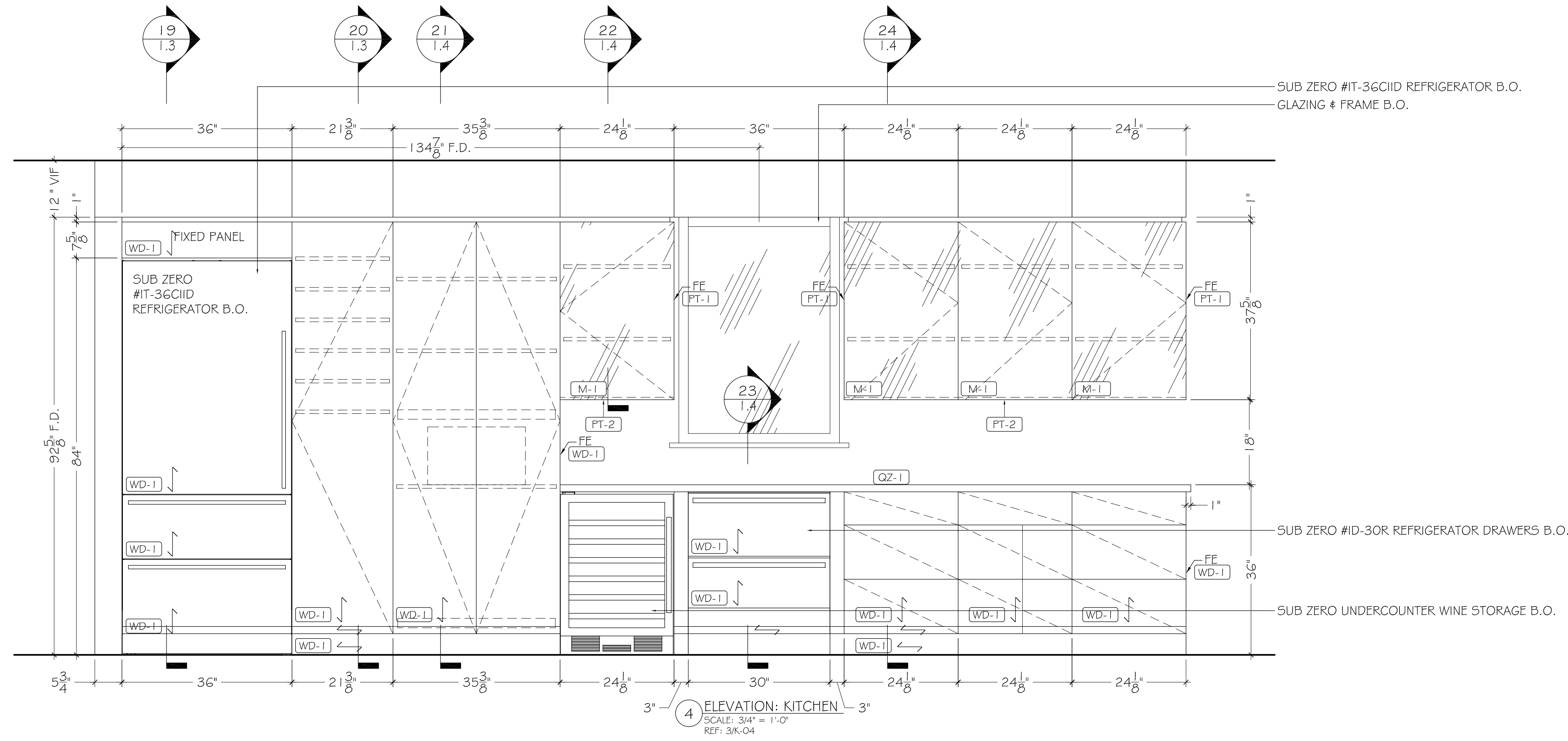
DRAWN BY:
M.G.

ISSUE DATE: 12-21-16
REVISIONS: 2-1-17
3-29-17

JOB NUMBER:
XXXXXX

1.0

ARCH NOTE:
PLEASE PROVIDE SPECS FOR SINK & FAUCET.



NEILSON RESIDENCE

DRAWN BY:
M.G.

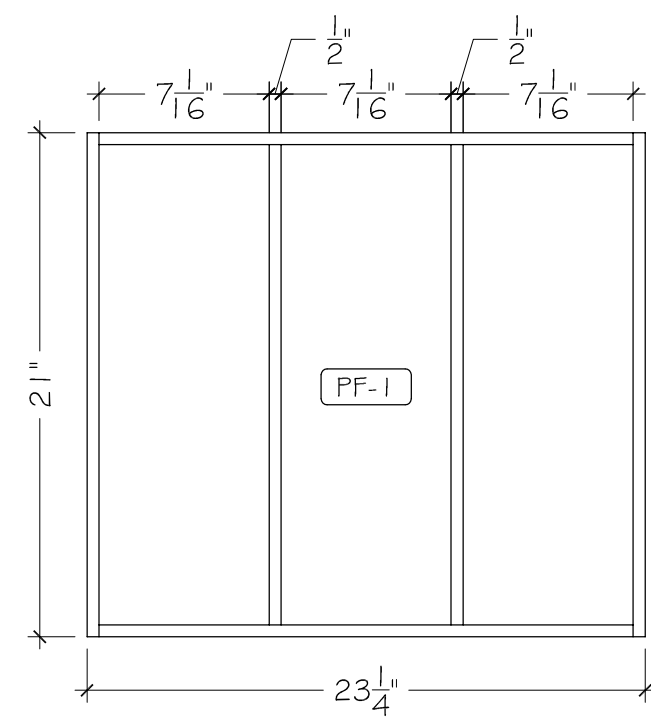
ISSUE DATE: 12-21-16
REVISIONS: 2-1-17
3-29-17

JOB NUMBER:
XXXXXX

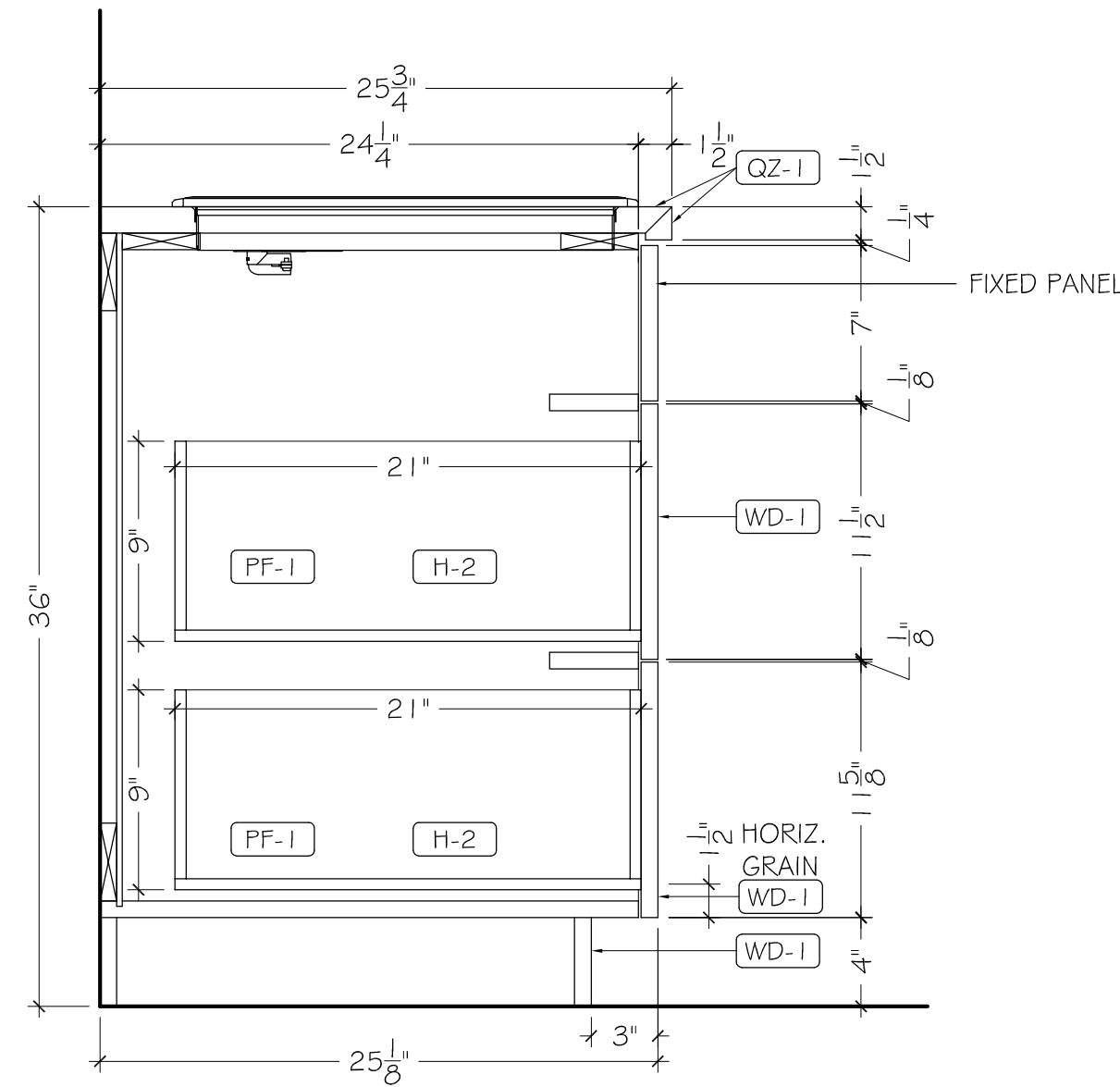
1.1

ARCH NOTE:
PLEASE PROVIDE SPECS FOR SINK & FAUCET.

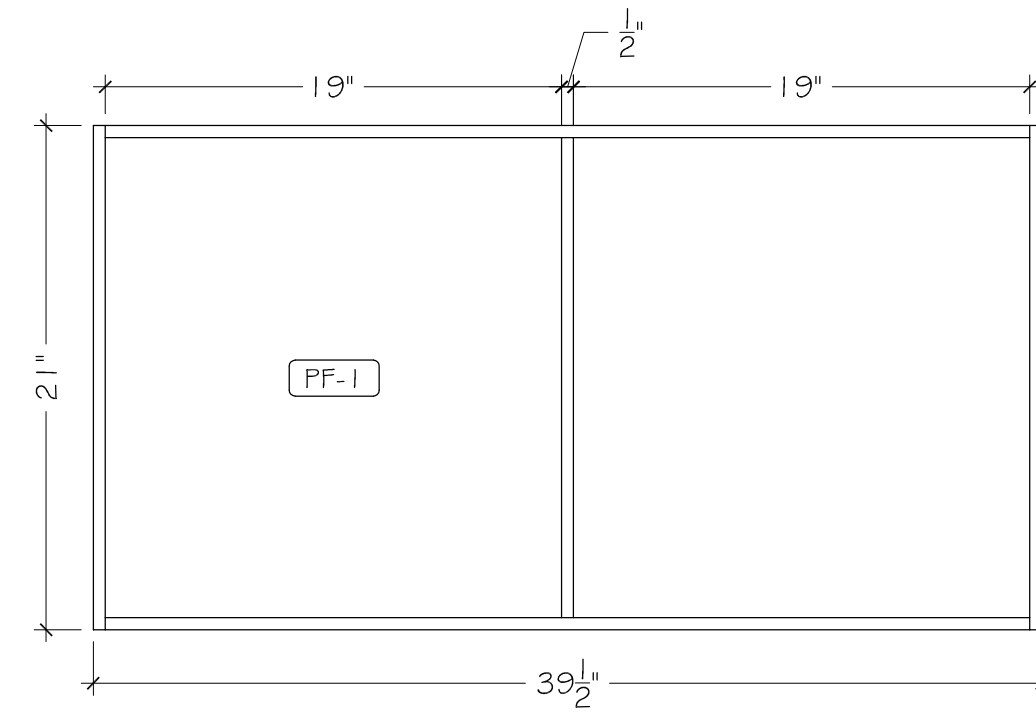
ARCH NOTE:
CABINET PULL MUST BE SELECTED BEFORE GLASS DOORS CAN BE ORDERED.



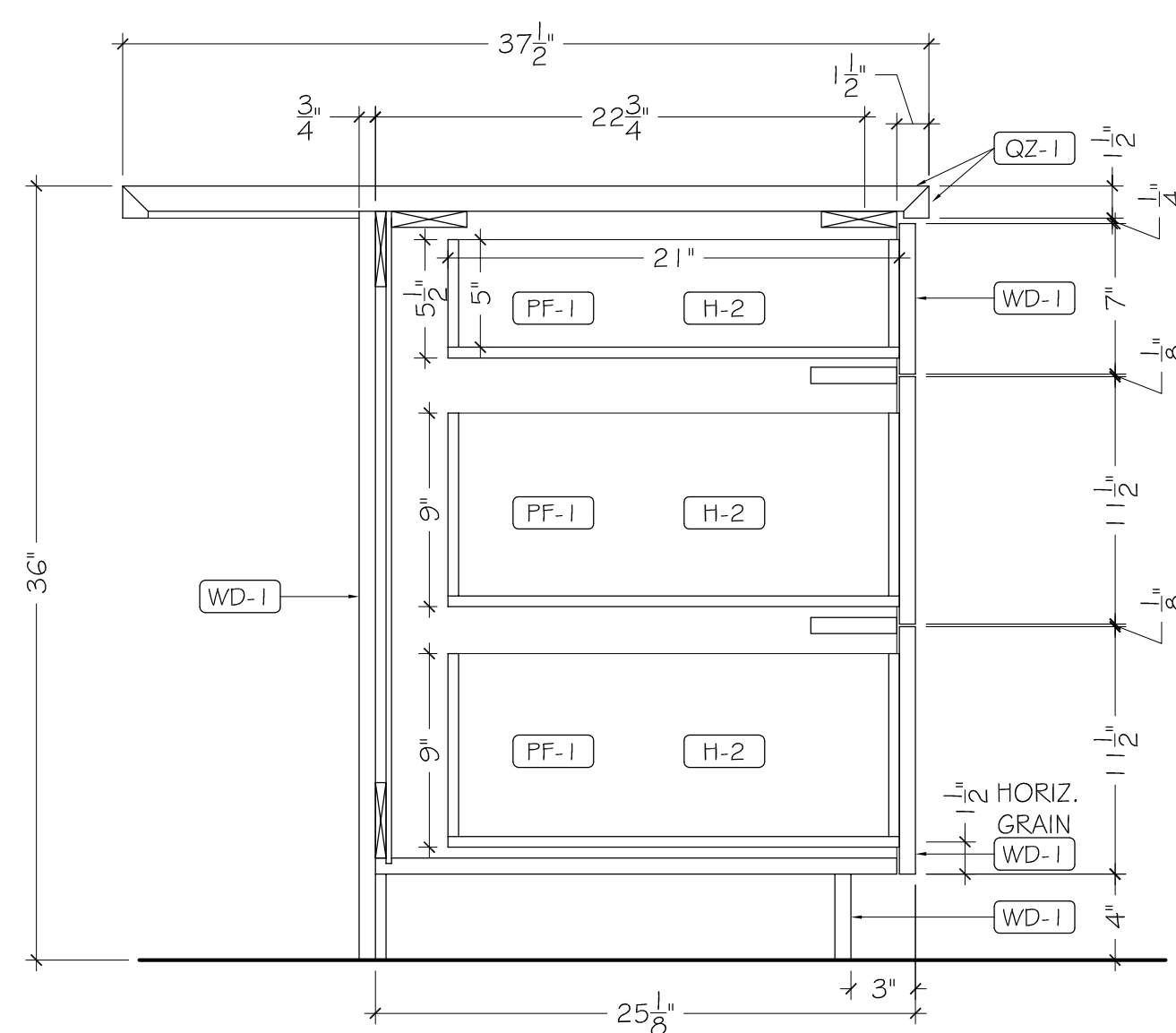
14 DRAWER PLAN FOR SECTION 13 & 17
SCALE: 1-1/2" = 1'-0"
REF: N/A



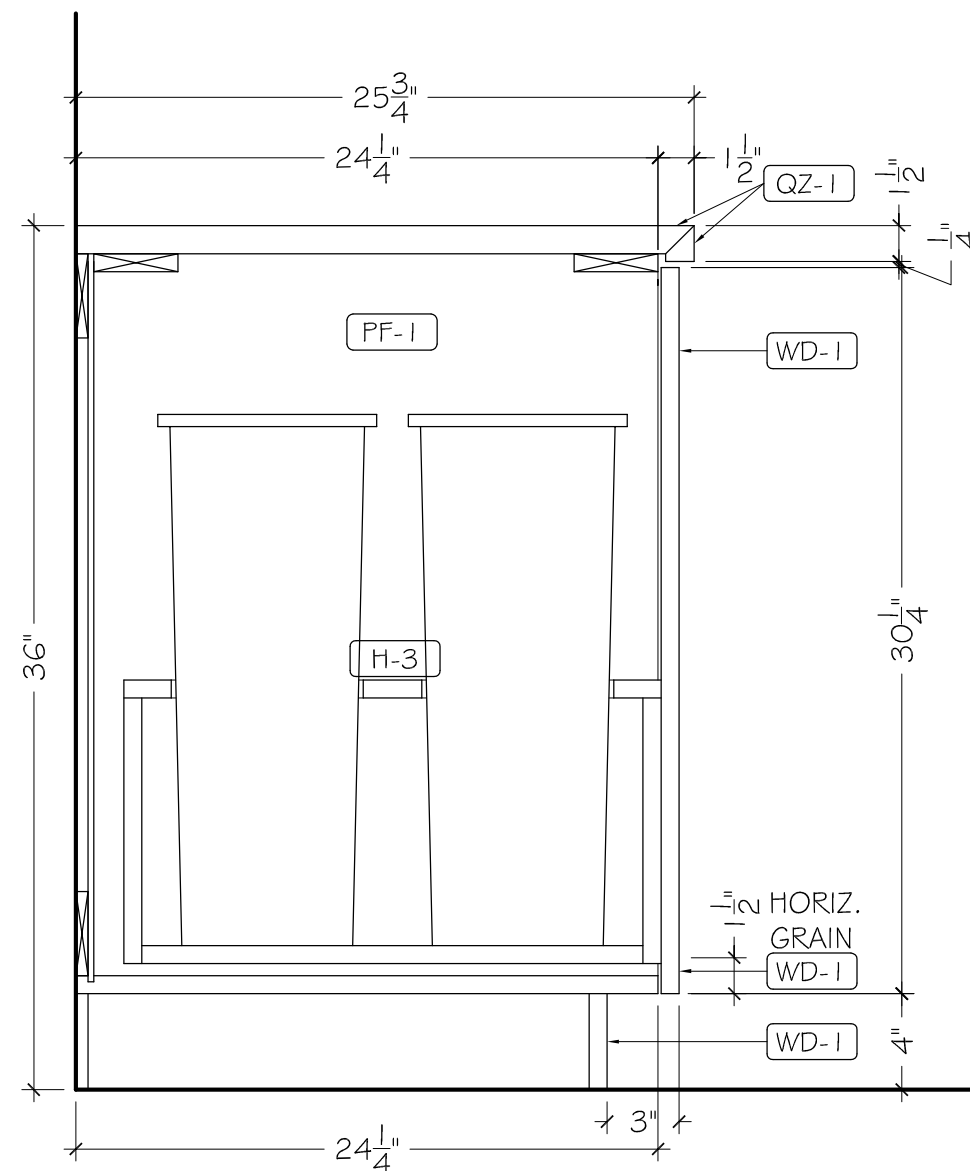
15 VERTICAL SECTION
SCALE: 1-1/2" = 1'-0"
REF: N/A



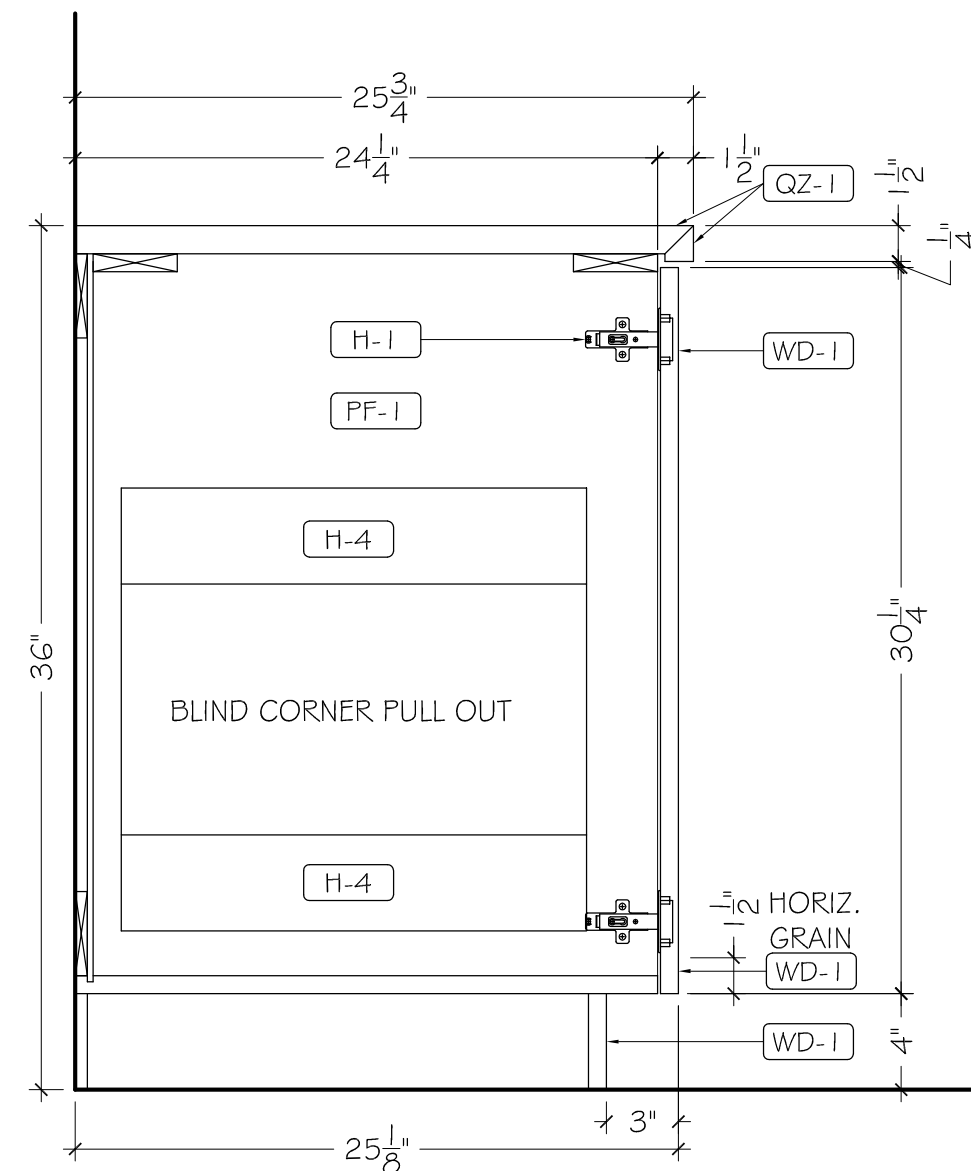
16 DRAWER PLAN FOR TOP DRAWER, SECTION 15
SCALE: 1-1/2" = 1'-0"
REF: N/A



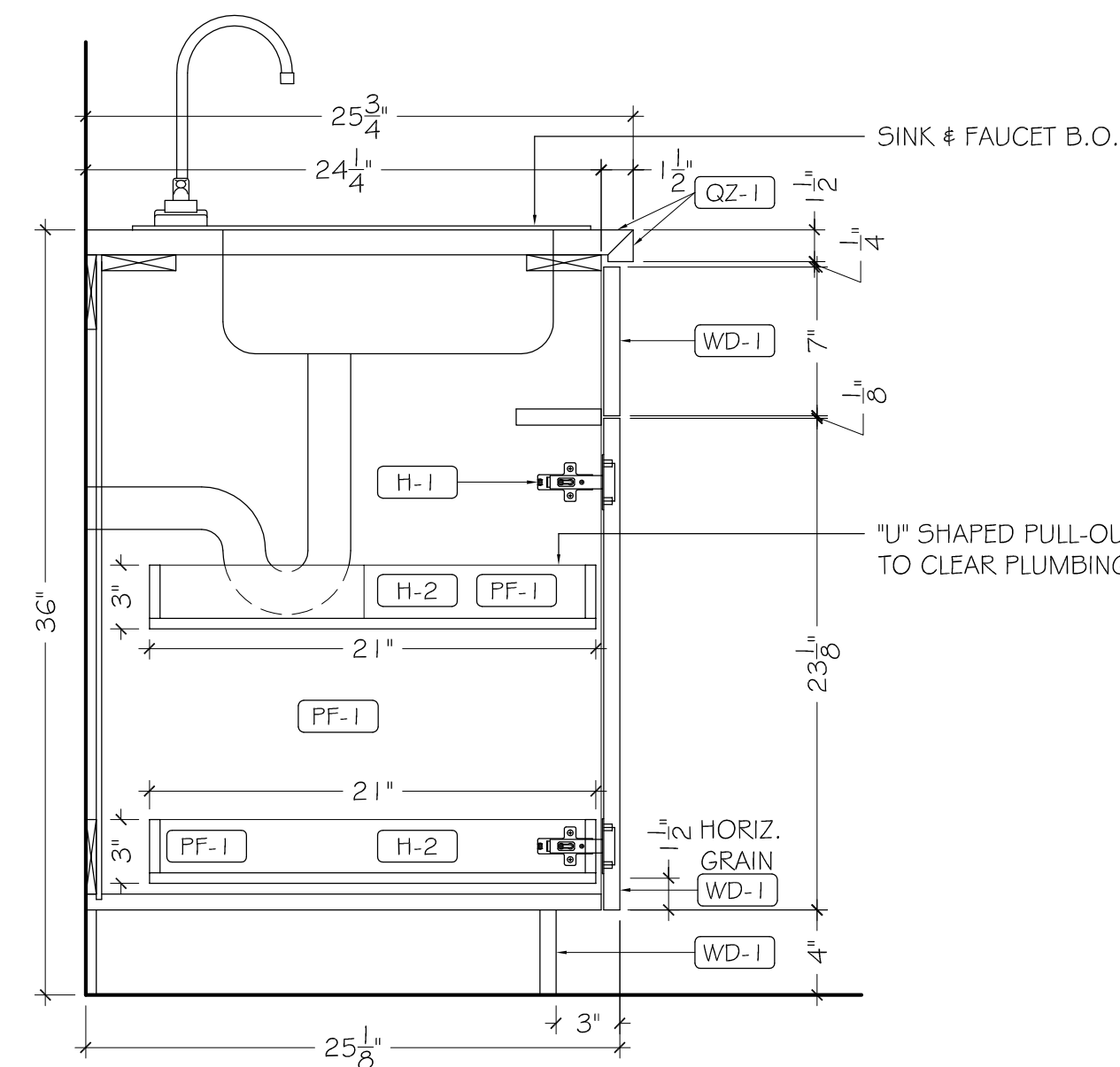
9 VERTICAL SECTION
SCALE: 1-1/2" = 1'-0"
REF: N/A



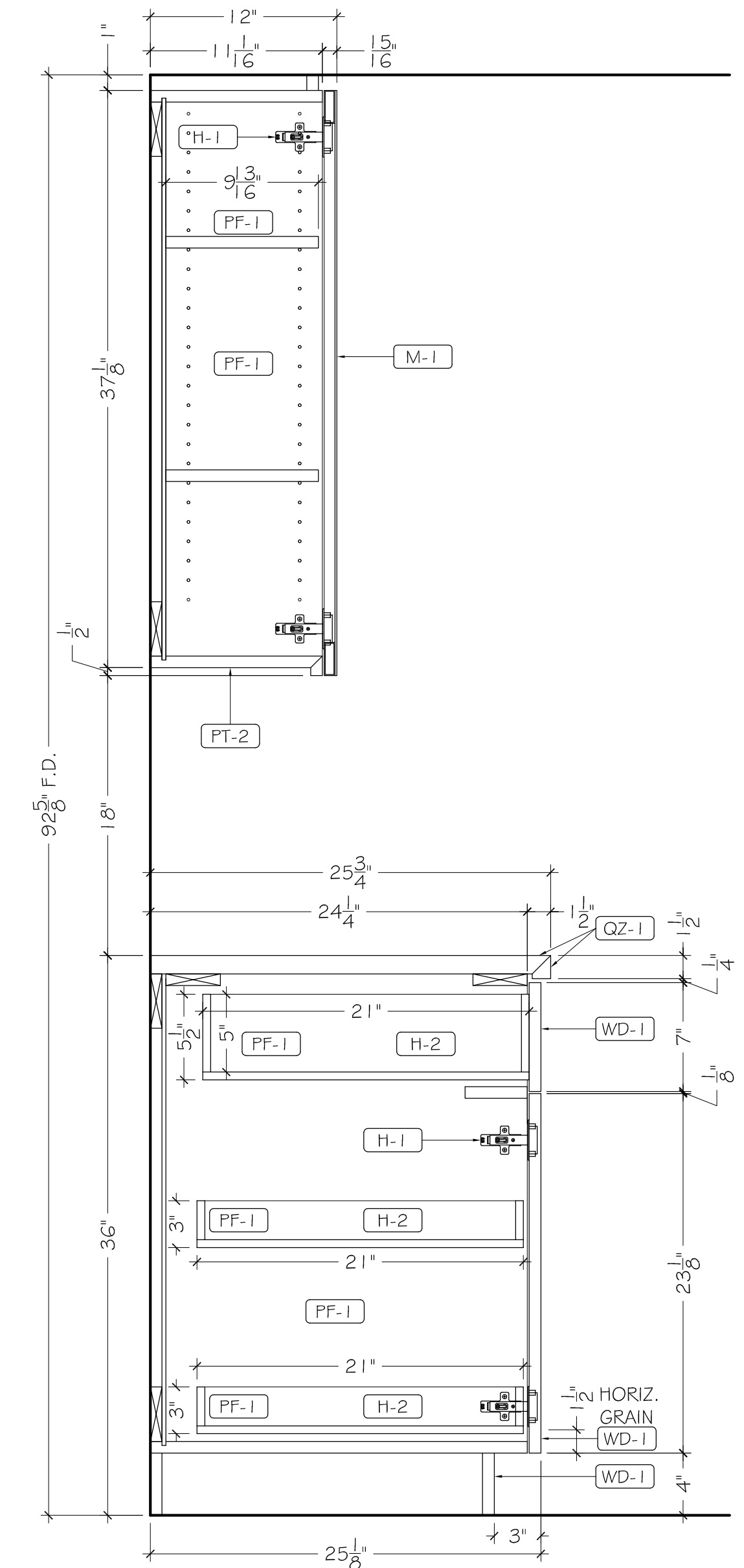
10 VERTICAL SECTION
SCALE: 1-1/2" = 1'-0"
REF: N/A



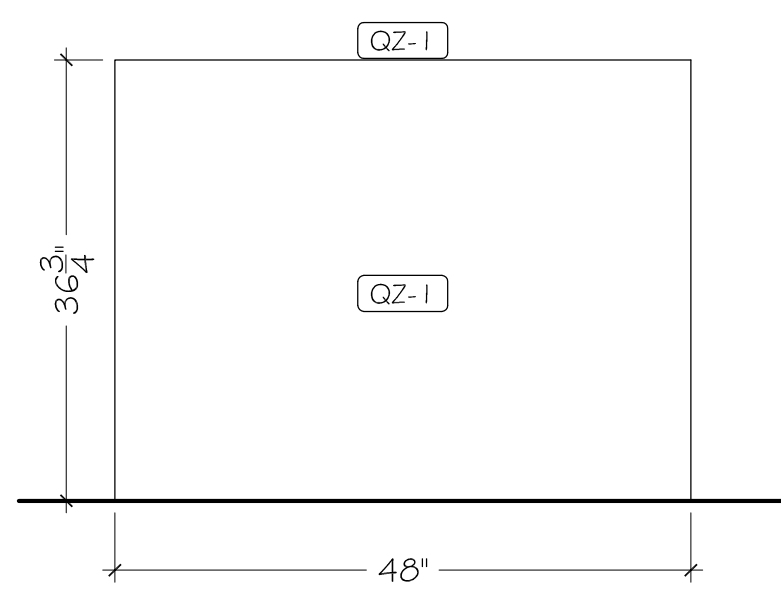
11 VERTICAL SECTION
SCALE: 1-1/2" = 1'-0"
REF: N/A



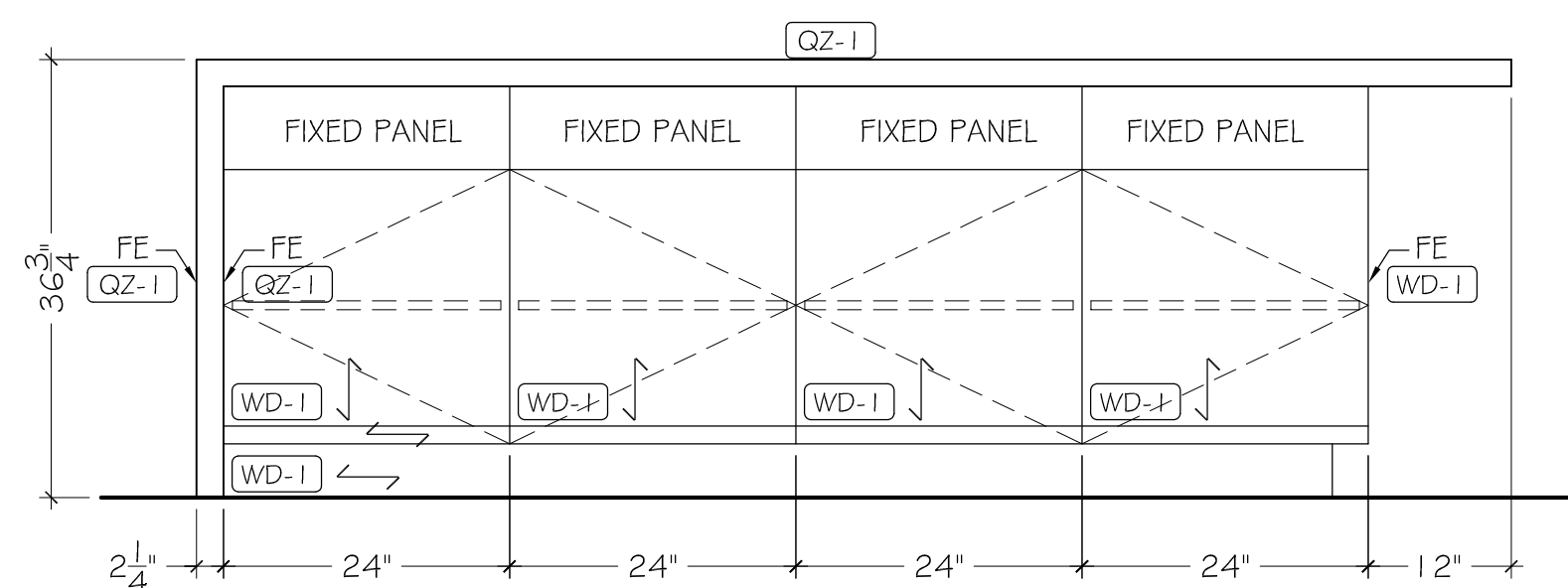
12 VERTICAL SECTION
SCALE: 1-1/2" = 1'-0"
REF: N/A



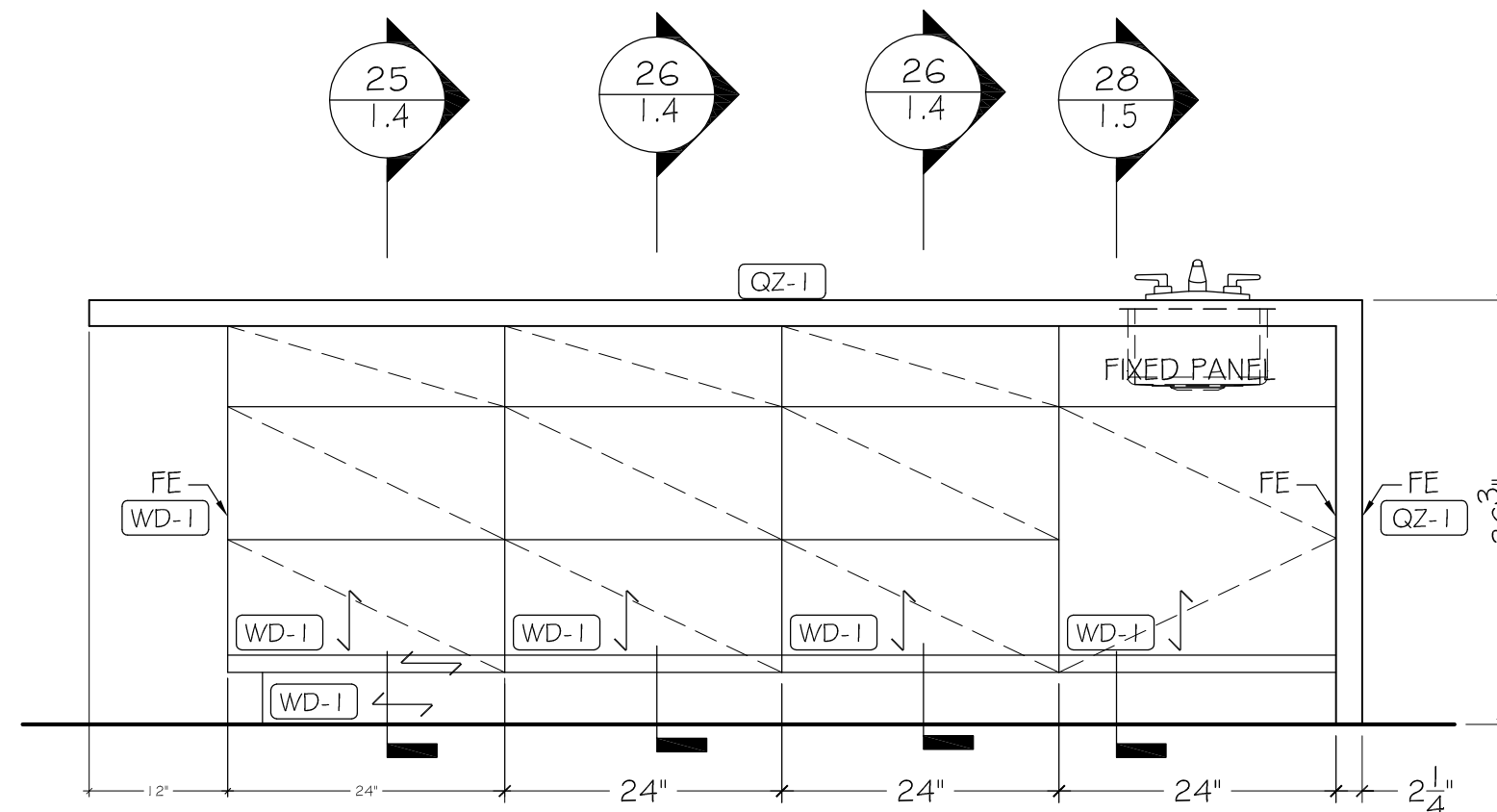
13 VERTICAL SECTION
SCALE: 1-1/2" = 1'-0"
REF: N/A



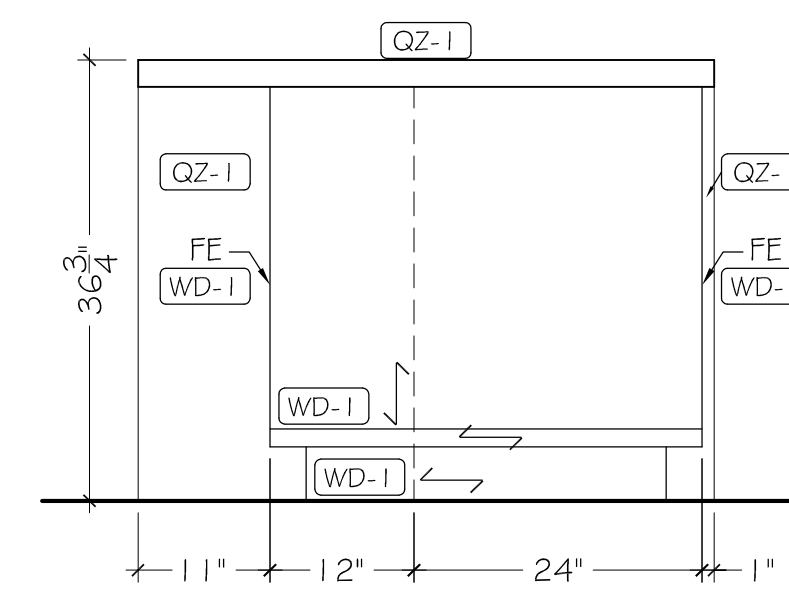
5 NORTH ELEVATION: ISLAND
SCALE: 3/4" = 1'-0"
REF: 4/A-05



6 WEST ELEVATION: ISLAND
SCALE: 3/4" = 1'-0"
REF: 2/A-05



7 EAST ELEVATION: ISLAND
SCALE: 3/4" = 1'-0"
REF: 3/A-05



8 SOUTH ELEVATION: ISLAND
SCALE: 3/4" = 1'-0"
REF: 1/A-05

NEILSON RESIDENCE

DRAWN BY:
M.G.

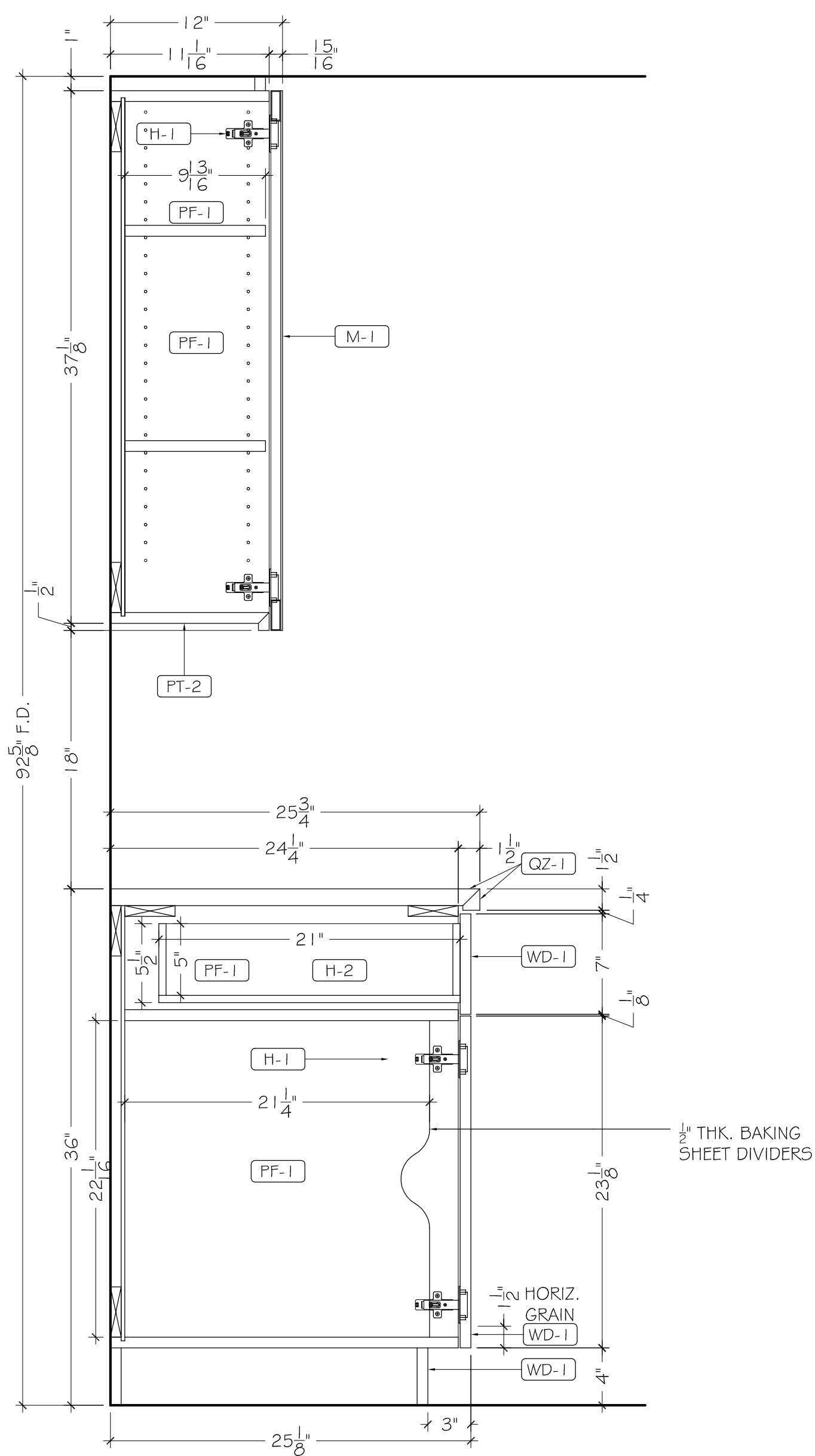
ISSUE DATE: 12-21-16
REVISIONS: 2-1-17
3-29-17

JOB NUMBER:
XXXXXX

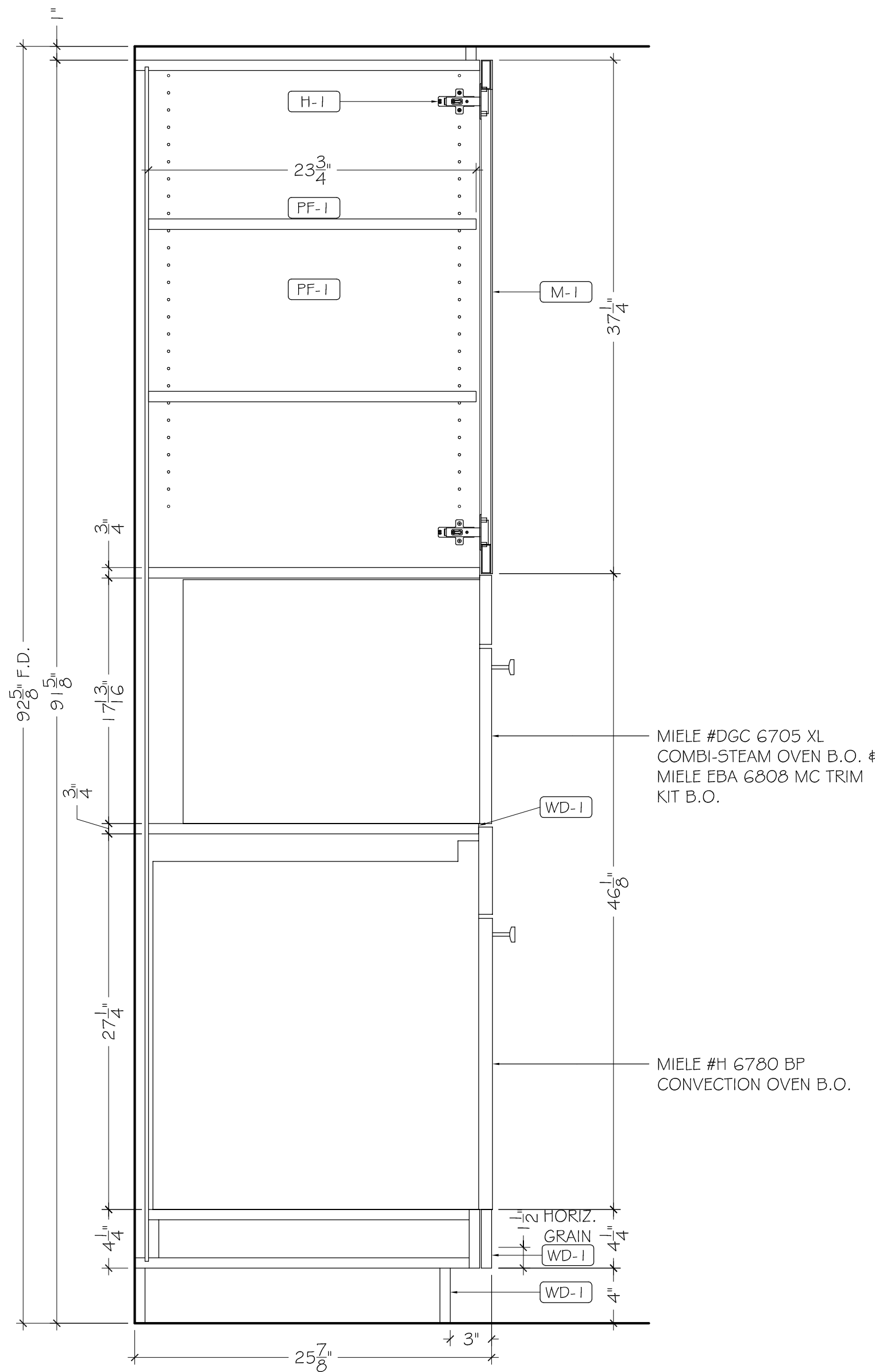
1.2

ARCH NOTE:
PLEASE PROVIDE SPECS FOR SINK & FAUCET.

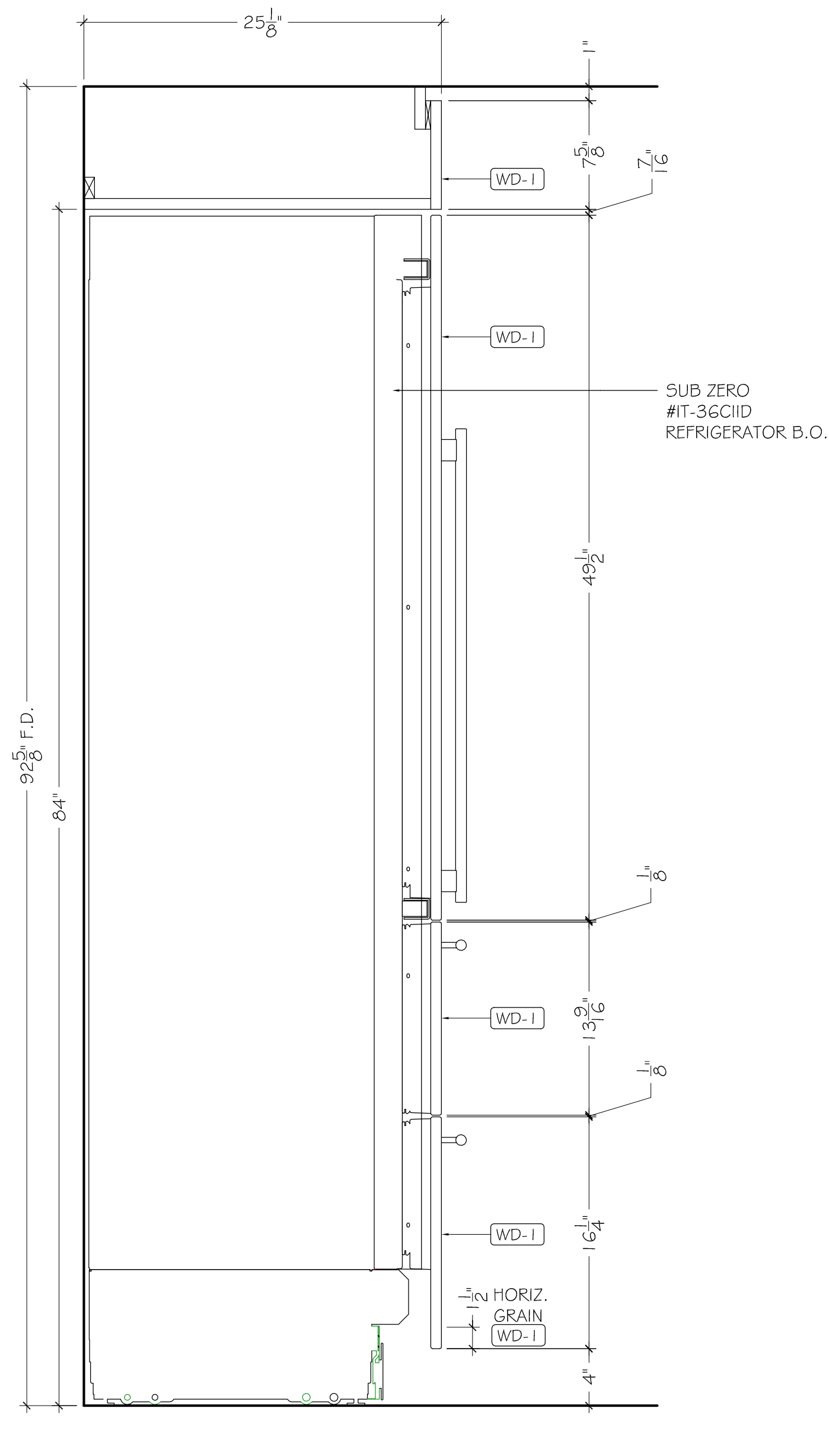
ARCH NOTE:
CABINET PULL MUST BE SELECTED BEFORE GLASS
DOORS CAN BE ORDERED.



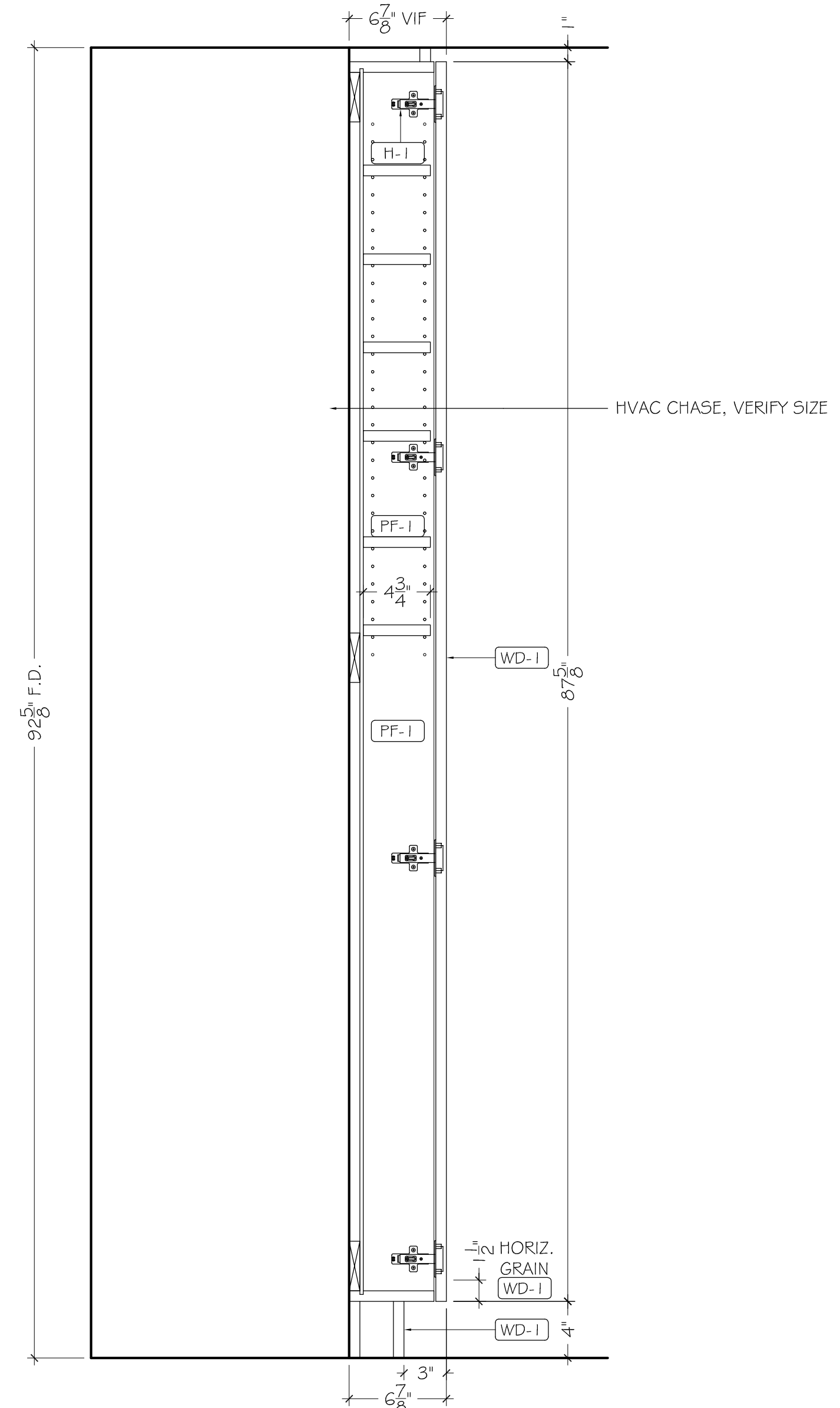
17 VERTICAL SECTION
SCALE: 1-1/2" = 1'-0"
REF: N/A



18 VERTICAL SECTION
SCALE: 1-1/2" = 1'-0"
REF: N/A



19 VERTICAL SECTION
SCALE: 1-1/2" = 1'-0"
REF: N/A



20 VERTICAL SECTION
SCALE: 1-1/2" = 1'-0"
REF: N/A

NEILSON RESIDENCE

DRAWN BY:
M.G.

ISSUE DATE: 12-21-16

REVISIONS: 2-1-17

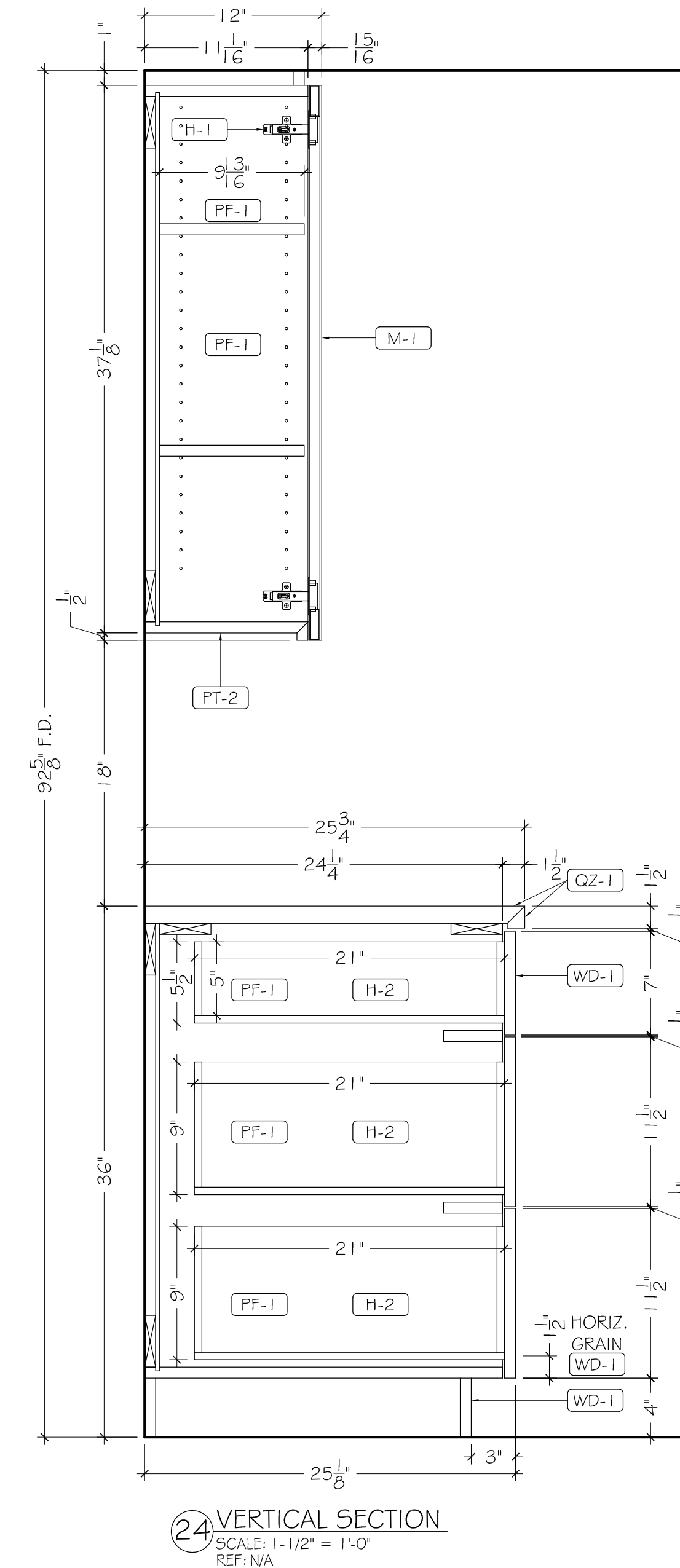
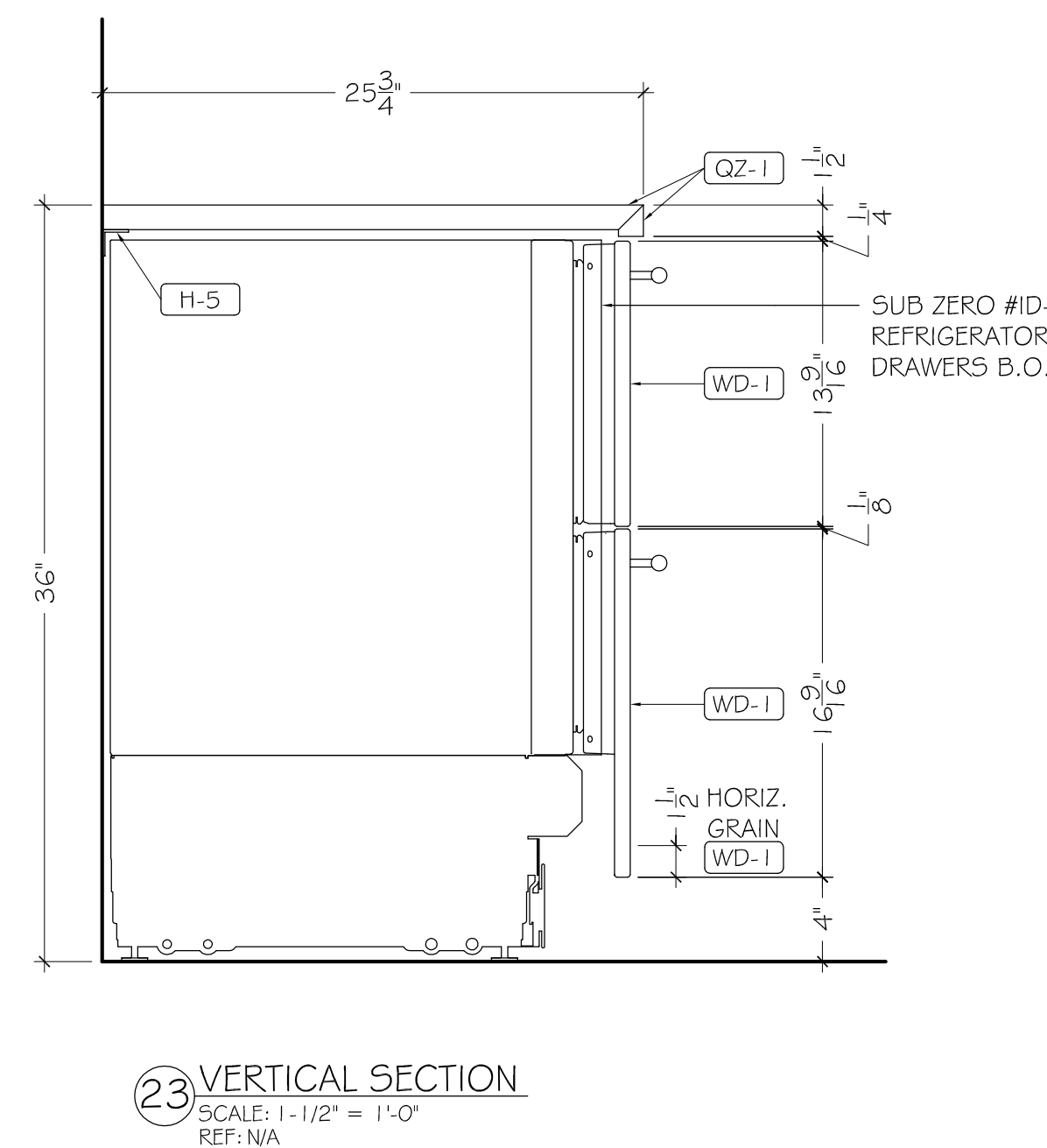
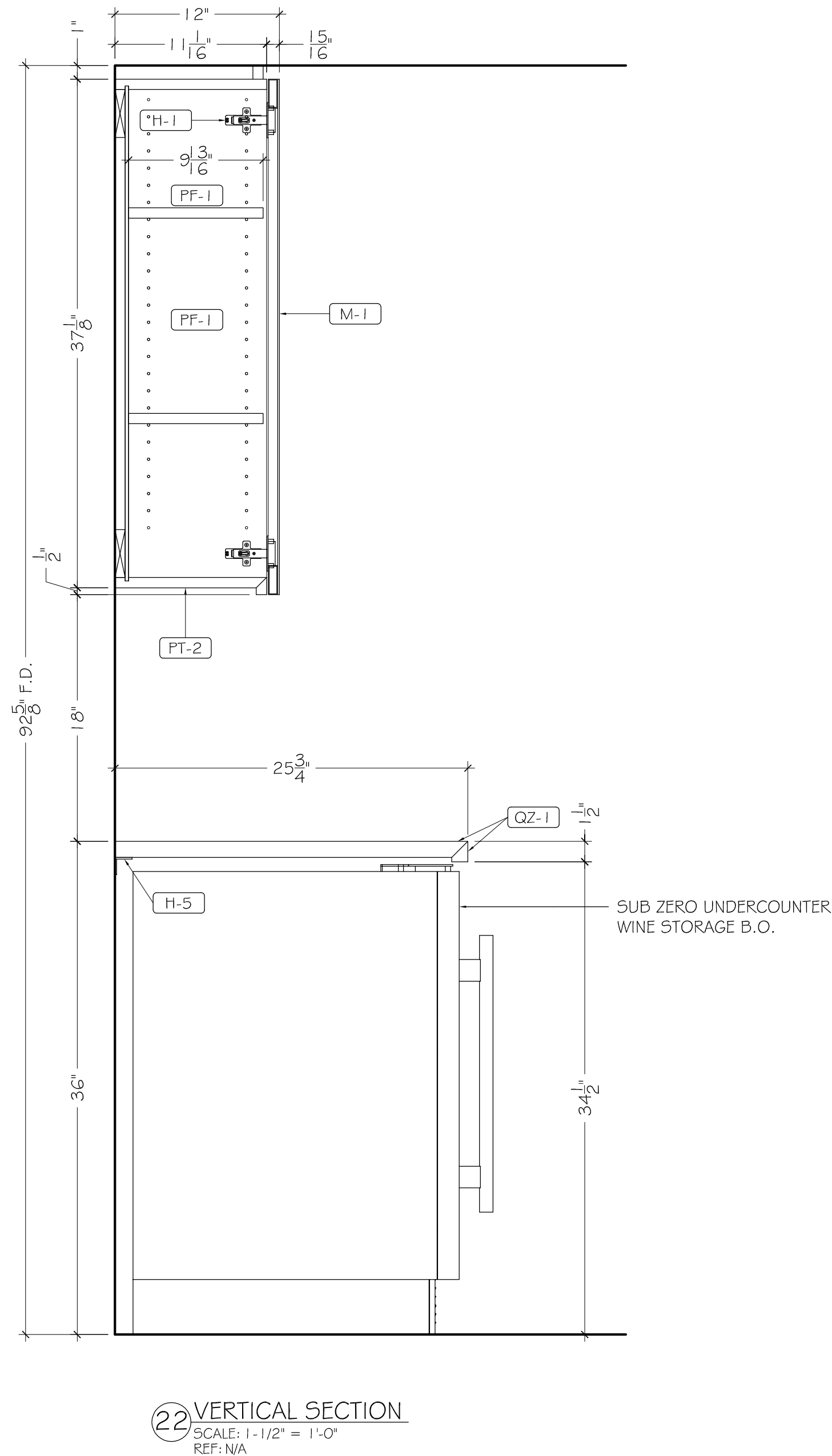
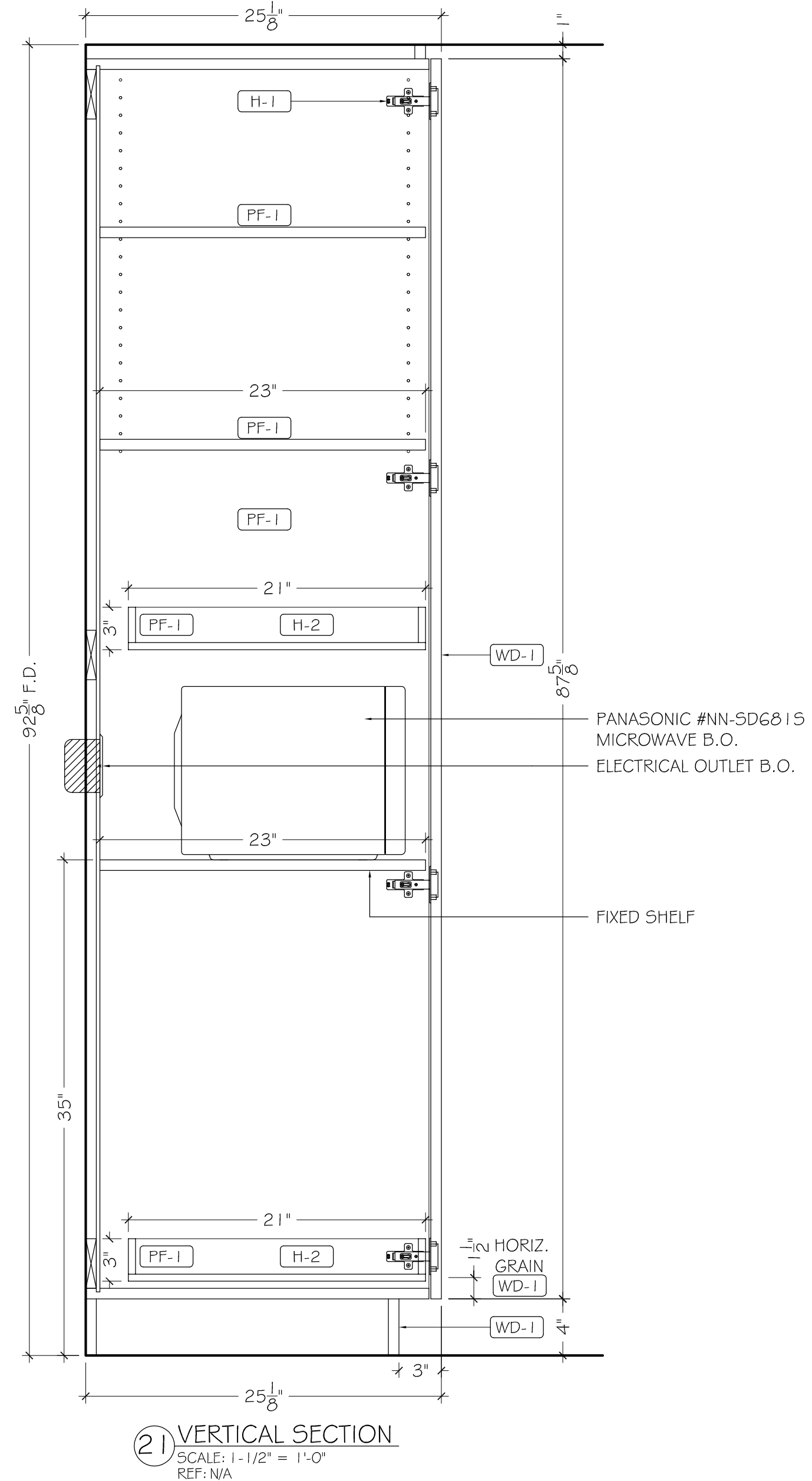
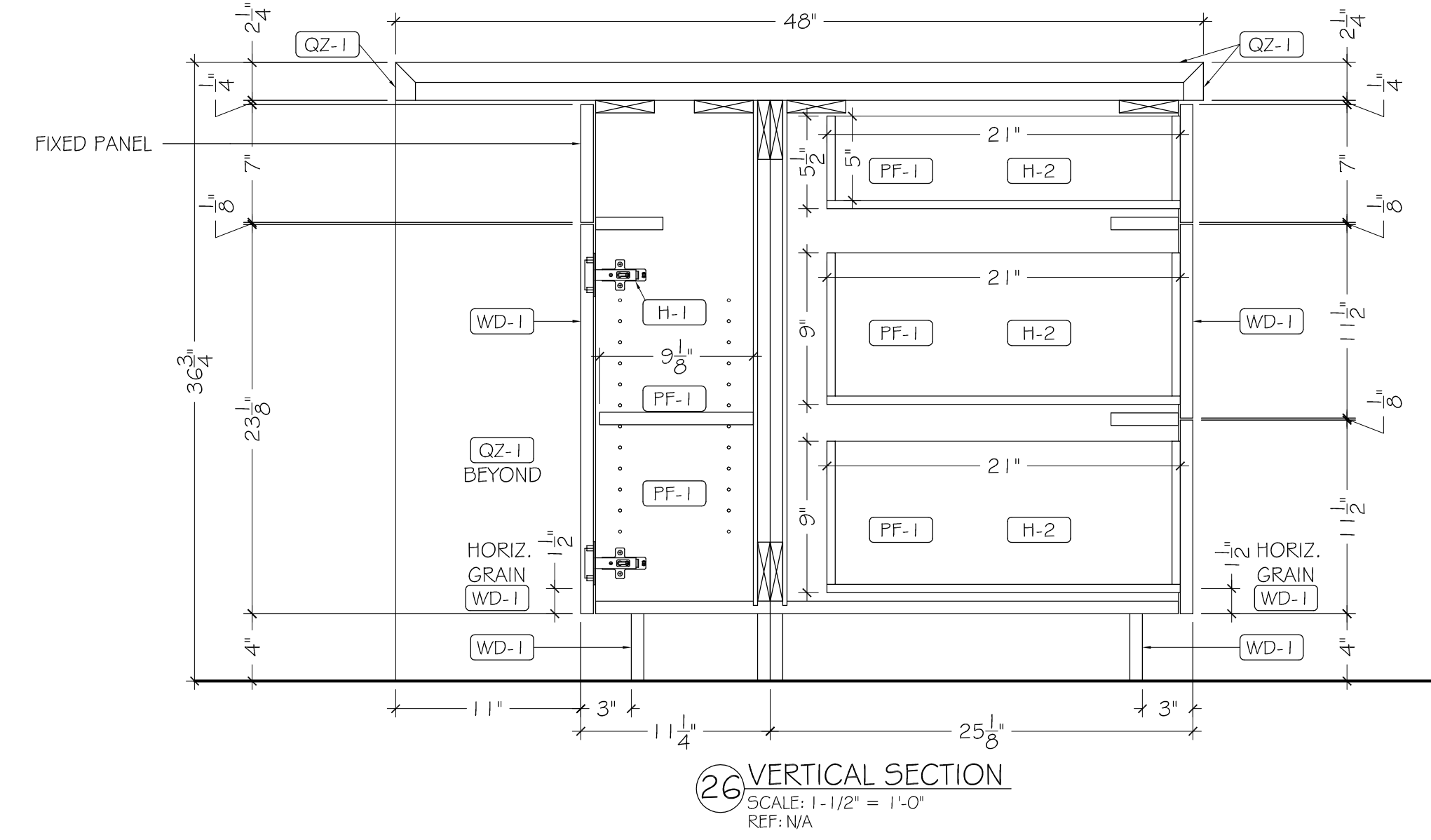
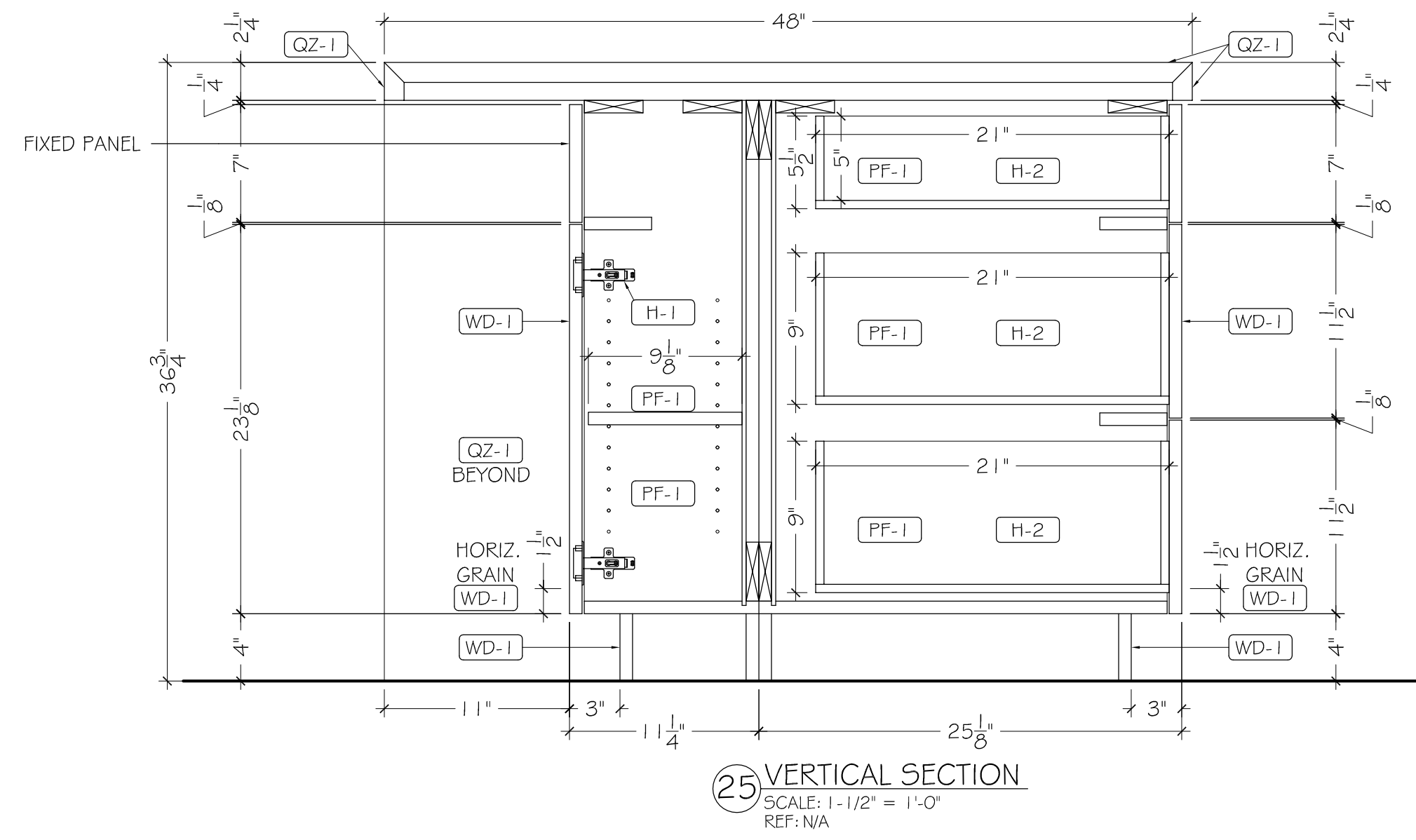
3-29-17

JOB NUMBER:
XXXXXX

1.3

ARCH NOTE:
PLEASE PROVIDE SPECS FOR SINK & FAUCET.

ARCH NOTE:
CABINET PULL MUST BE SELECTED BEFORE GLASS
DOORS CAN BE ORDERED.



NEILSON RESIDENCE

DRAWN BY:
M.G.

ISSUE DATE: 12-21-16

REVISIONS: 2-1-17

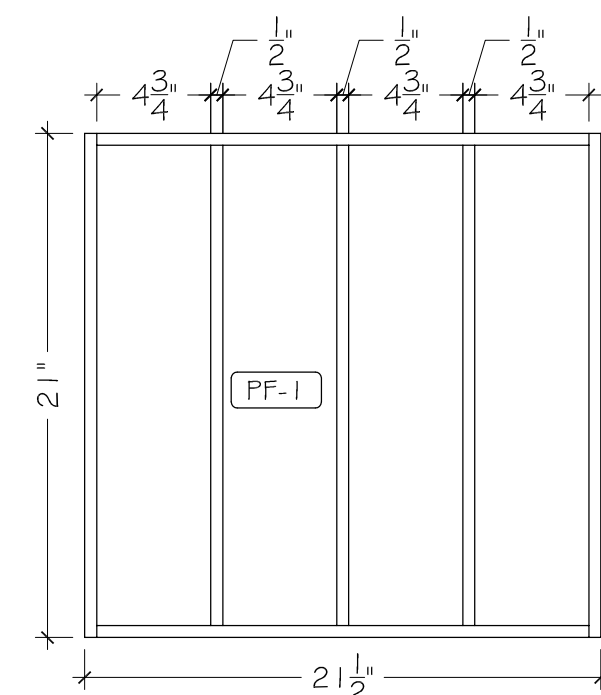
3-29-17

JOB NUMBER:
XXXXXX

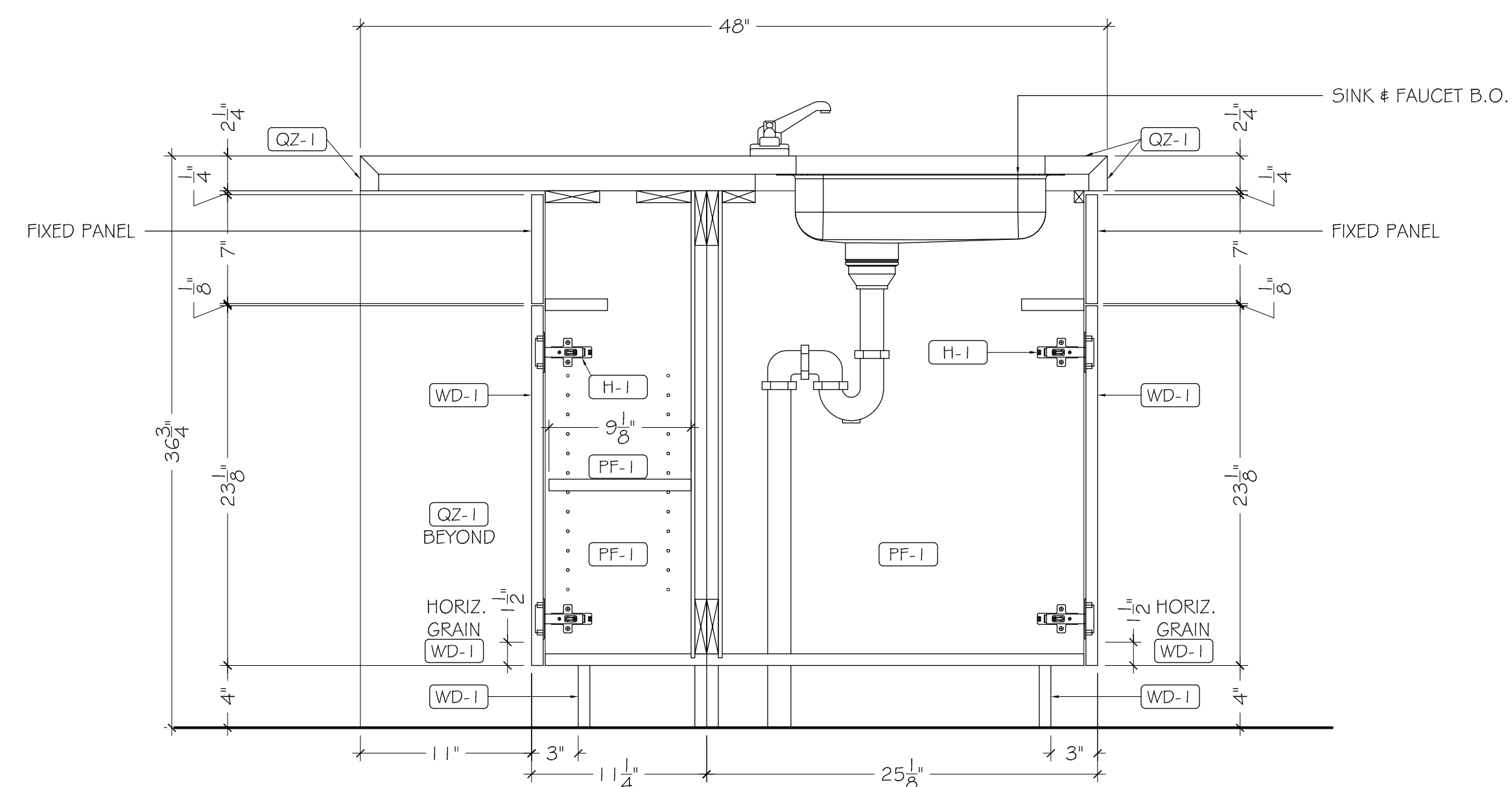
1.4

ARCH NOTE:
PLEASE PROVIDE SPECS FOR SINK & FAUCET.

ARCH NOTE:
CABINET PULL MUST BE SELECTED BEFORE GLASS
DOORS CAN BE ORDERED.



27 DRAWER PLAN FOR SECTION 26
SCALE: 1-1/2" = 1'-0"
REF: NA



28 VERTICAL SECTION
SCALE: 1-1/2" = 1'-0"
REF: NA

NEILSON RESIDENCE

DRAWN BY:
M.G.

ISSUE DATE: 12-21-16
REVISIONS: 2-1-17
3-29-17

JOB NUMBER:
XXXXXX

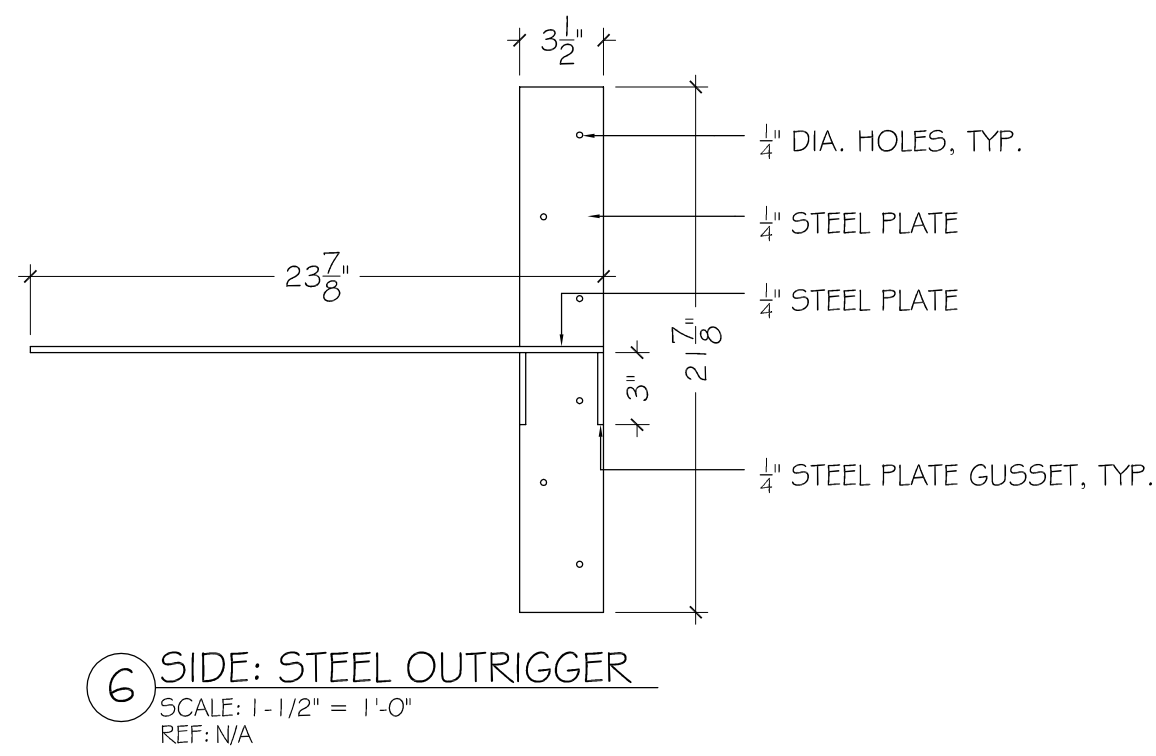
1.5

ARCH NOTE:
PLEASE PROVIDE SPECS FOR SINKS & FAUCETS.

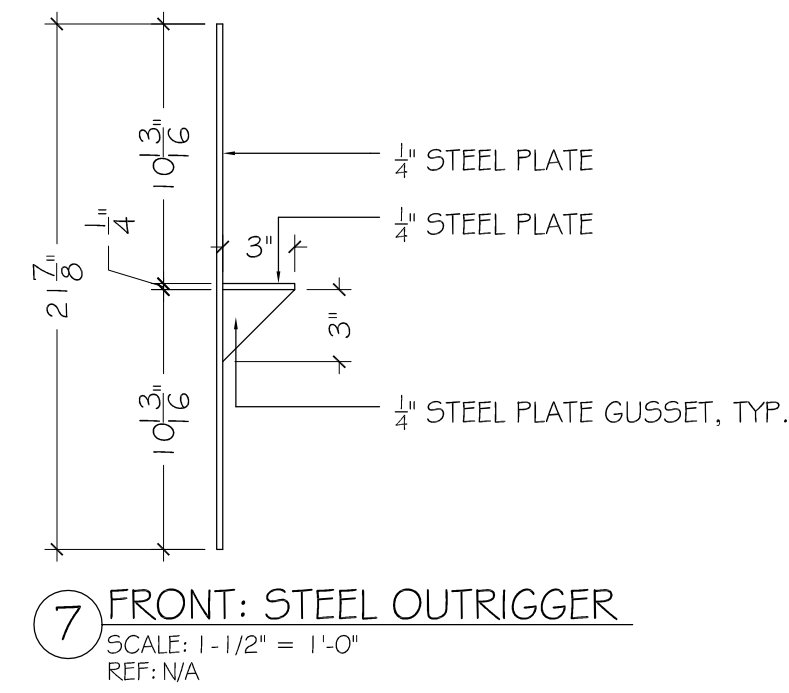
ARCH NOTE:
PLEASE PROVIDE SPECS FOR PULLS.

FABRICATION NOTE:
(2) REQ'D

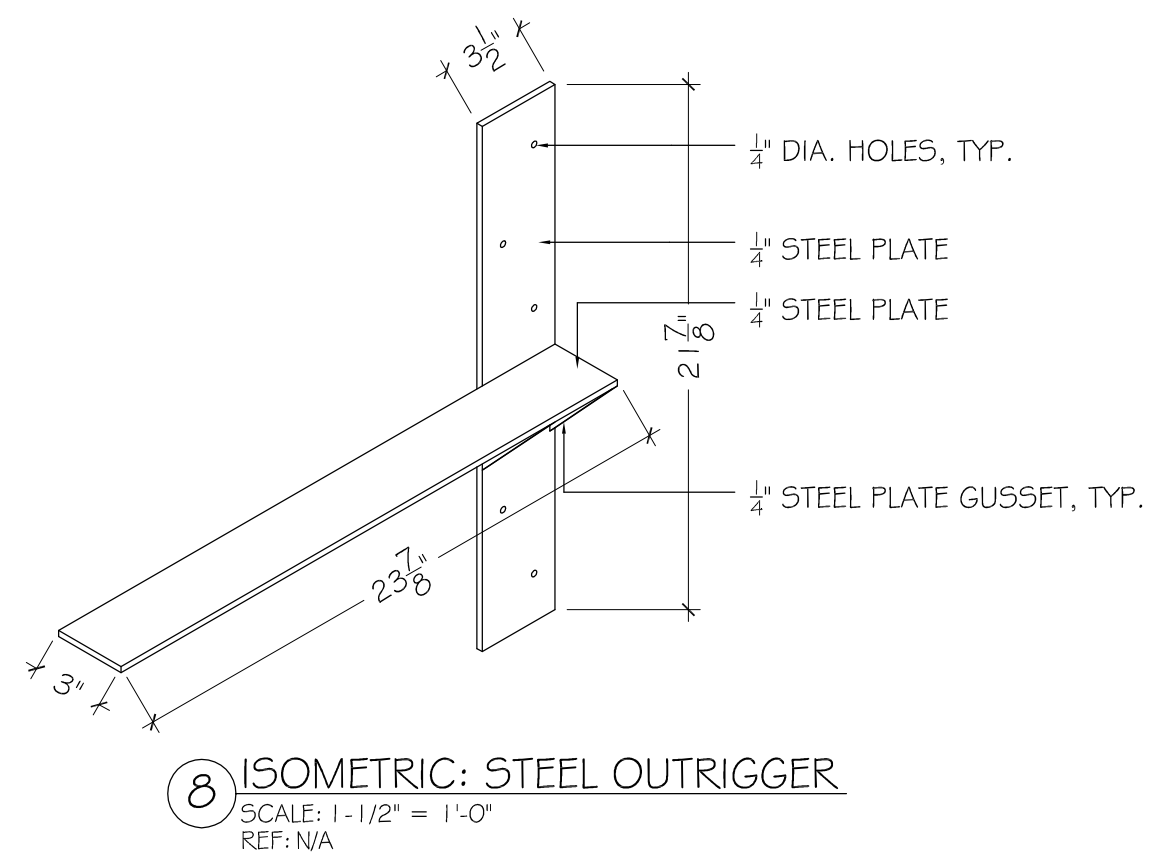
GLASS	
GL-1	BACK PAINTED GLASS
WOOD, VENEER, MELAMINE	
WD-1	QUARTER SAWN WHITE OAK W/ MEDIUM GREY STAIN, MULTI-DEPTH CERUSED FINISH
WD-2	BIRCH PLYWOOD W/ MATCHING EDGEBAND - SHOP PAINTED, COLOR T.B.D.
PF-1	PRE-FINISHED MAPLE PLYWOOD
SOLID SURFACE, STONE, METAL GLASS	
QZ-1	QUARTZ - WHITE
ST-1	SILVER ATHENS CREAM MARBLE
QZ-1	QUARTZ - WHITE
MT-1	1/2" X 2" STEEL W/ CHROME FINISH
PAINT	
PT-1	BENJAMIN MOORE #1613 SILENT NIGHT, HIGH GLOSS FINISH
PT-2	WHITE
HARDWARE	
H-1	HINGES: BLUM CLIP TOP 120° CONCEALED HINGE
H-2	DRAWER GLIDES: BLUM TANTUM PLUS #568H
H-3	TRASH PULL-OUT: CENTURY COMPONENTS, 50 QT. DOUBLE WASTE BIN
H-4	BLIND CORNER PULL-OUT: HAFELE #548.10.240 MAGIC CORNER II
H-5	1/2" X 1 1/4" X 1 1/4" ALUMINUM ANGLE
H-6	TOUCH LATCH: BLUM #956.1004 TIP - ON
H-7	STEEL OUTRIGGER
H-8	TALL METAL LEG - CHROME FINISH
H-9	SHORT METAL LEG - CHROME FINISH
H-10	COAT ROD: RICHELIEU #122208140, CHROME FINISH
H-11	COAT ROD END FLANGE: RICHELIEU #9764114140, CHROME FINISH
H-12	PULL OUT HAMPER
MISCELLANEOUS	
CONESTOGA WOOD SPECIALISTS - ALUMINUM FRAME, PROFILE #A010, BRUSHED STAINLESS STEEL FINISH, INSERT TYPE - BFG - SILVER MATTE W/ LIGHT GREY BACKER	
M-1	
M-2	RAVUSIO CRYSTAL - SABBIA, HIGH GLOSS FINISH



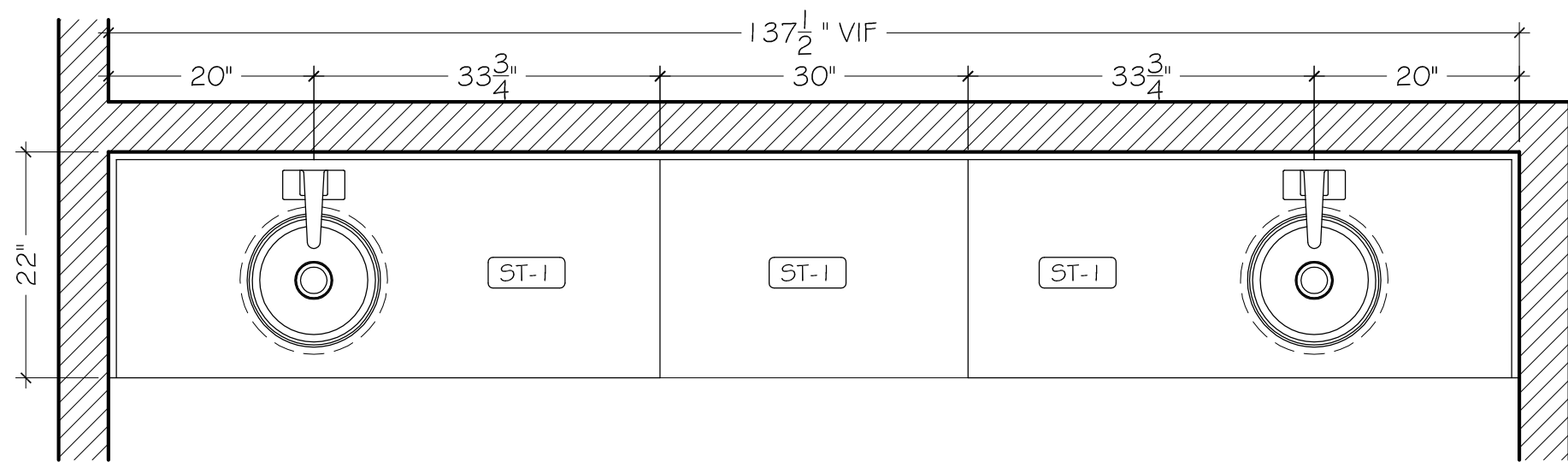
6 SIDE: STEEL OUTRIGGER
SCALE: 1-1/2" = 1'-0"
REF: N/A



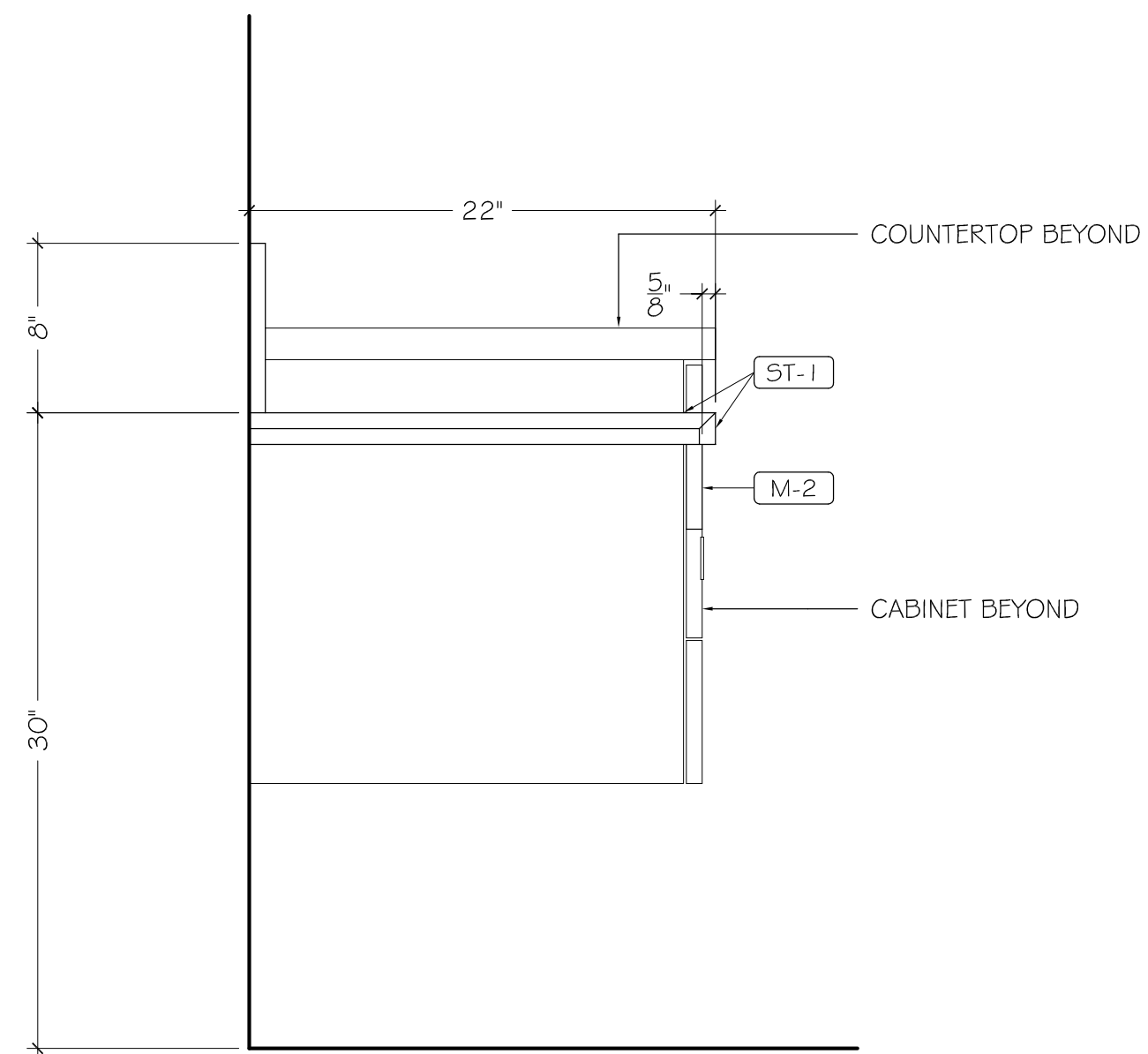
7 FRONT: STEEL OUTRIGGER
SCALE: 1-1/2" = 1'-0"
REF: N/A



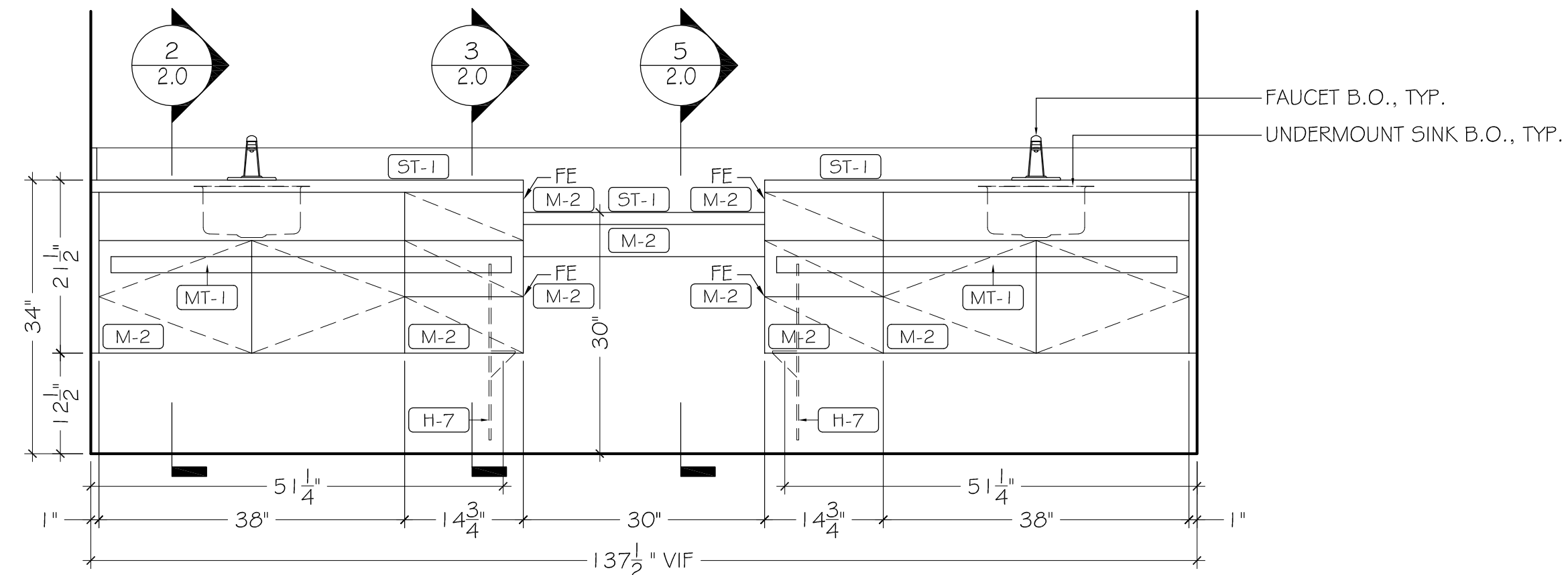
8 ISOMETRIC: STEEL OUTRIGGER
SCALE: 1-1/2" = 1'-0"
REF: N/A



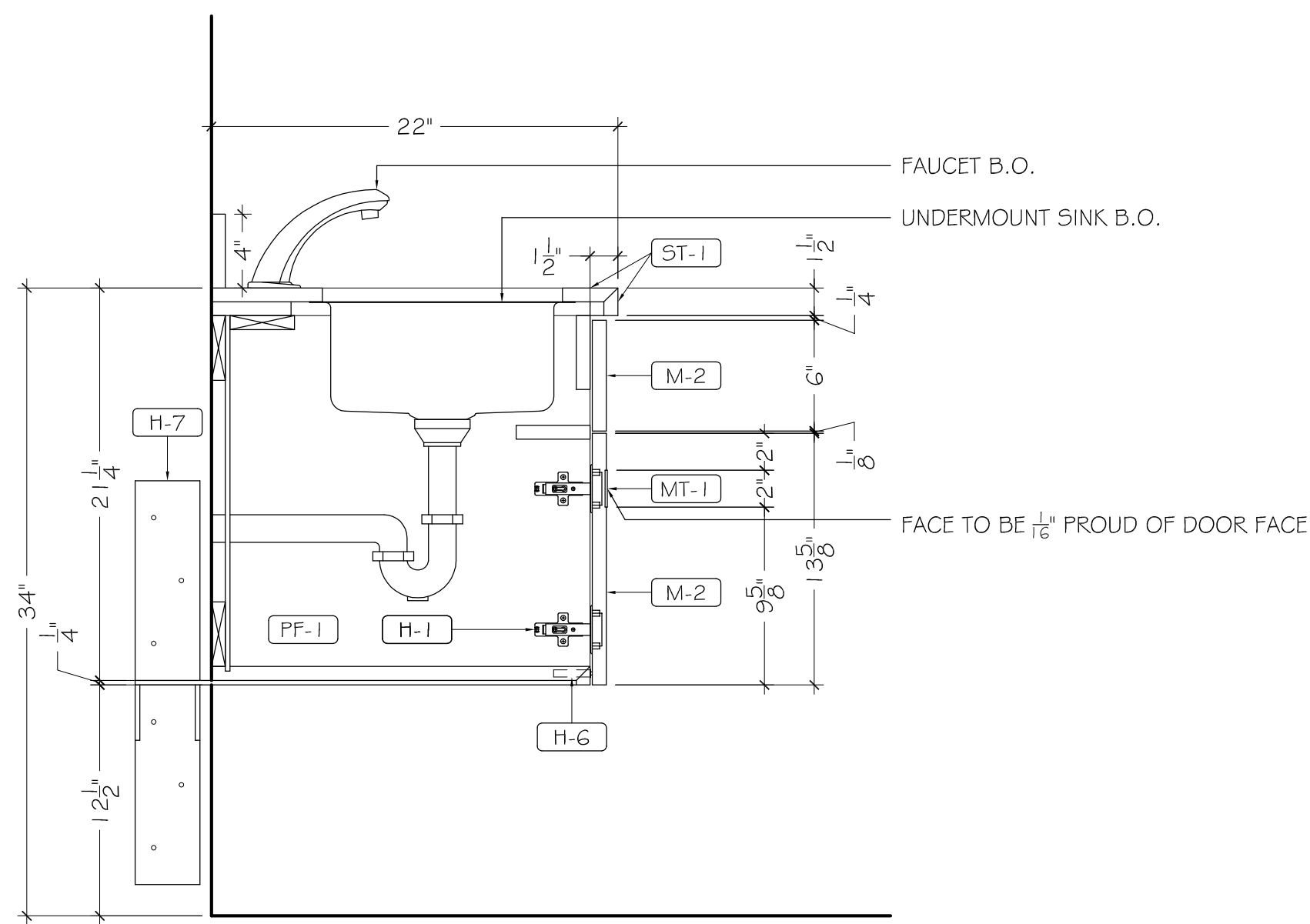
4 PLAN: MASTER BATHROOM
SCALE: 3/4" = 1'-0"
REF: 1/3.2



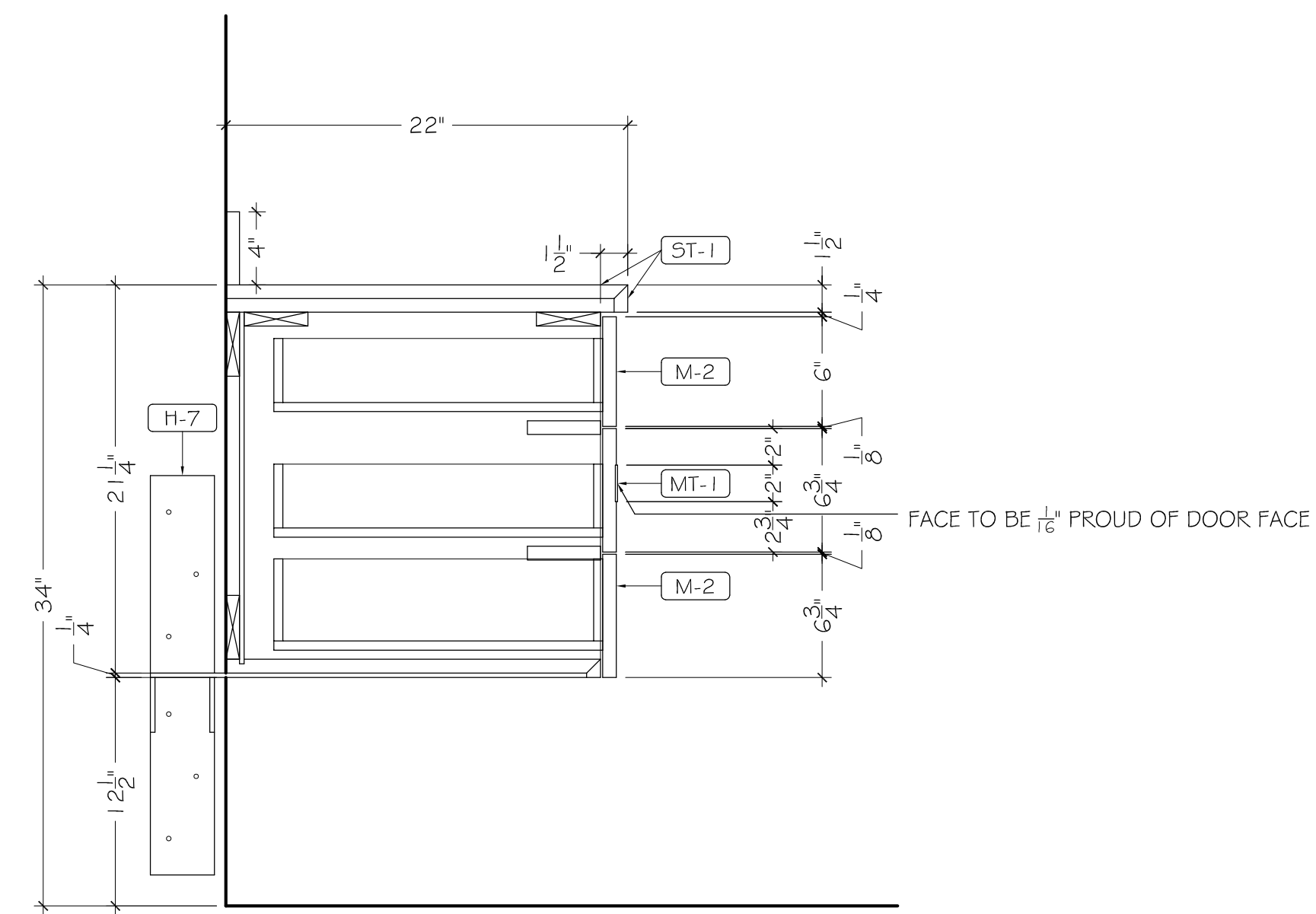
5 VERTICAL SECTION
SCALE: 1-1/2" = 1'-0"
REF: N/A



1 ELEVATION: MASTER BATHROOM
SCALE: 3/4" = 1'-0"
REF: N/A



2 VERTICAL SECTION
SCALE: 1-1/2" = 1'-0"
REF: N/A



3 VERTICAL SECTION
SCALE: 1-1/2" = 1'-0"
REF: N/A

NEILSON RESIDENCE

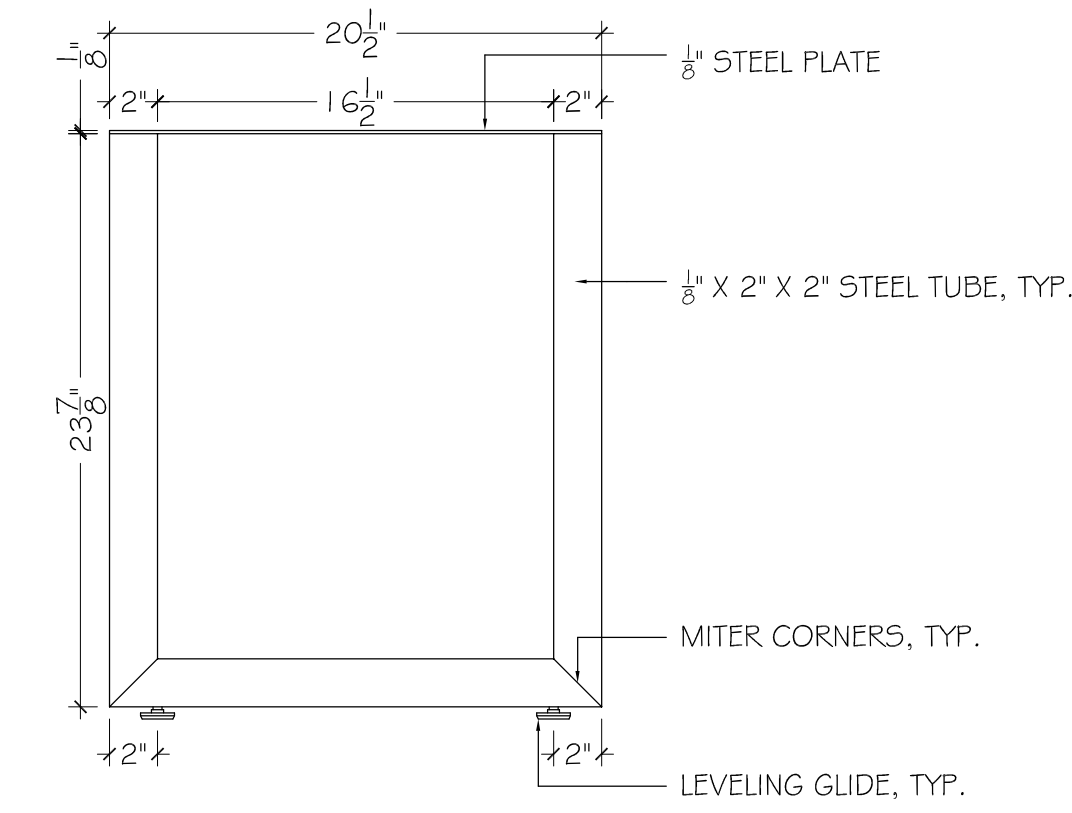
DRAWN BY:
M.G.
ISSUE DATE: 12-21-16
REVISIONS: 2-1-17

JOB NUMBER:
XXXXXX
2.0

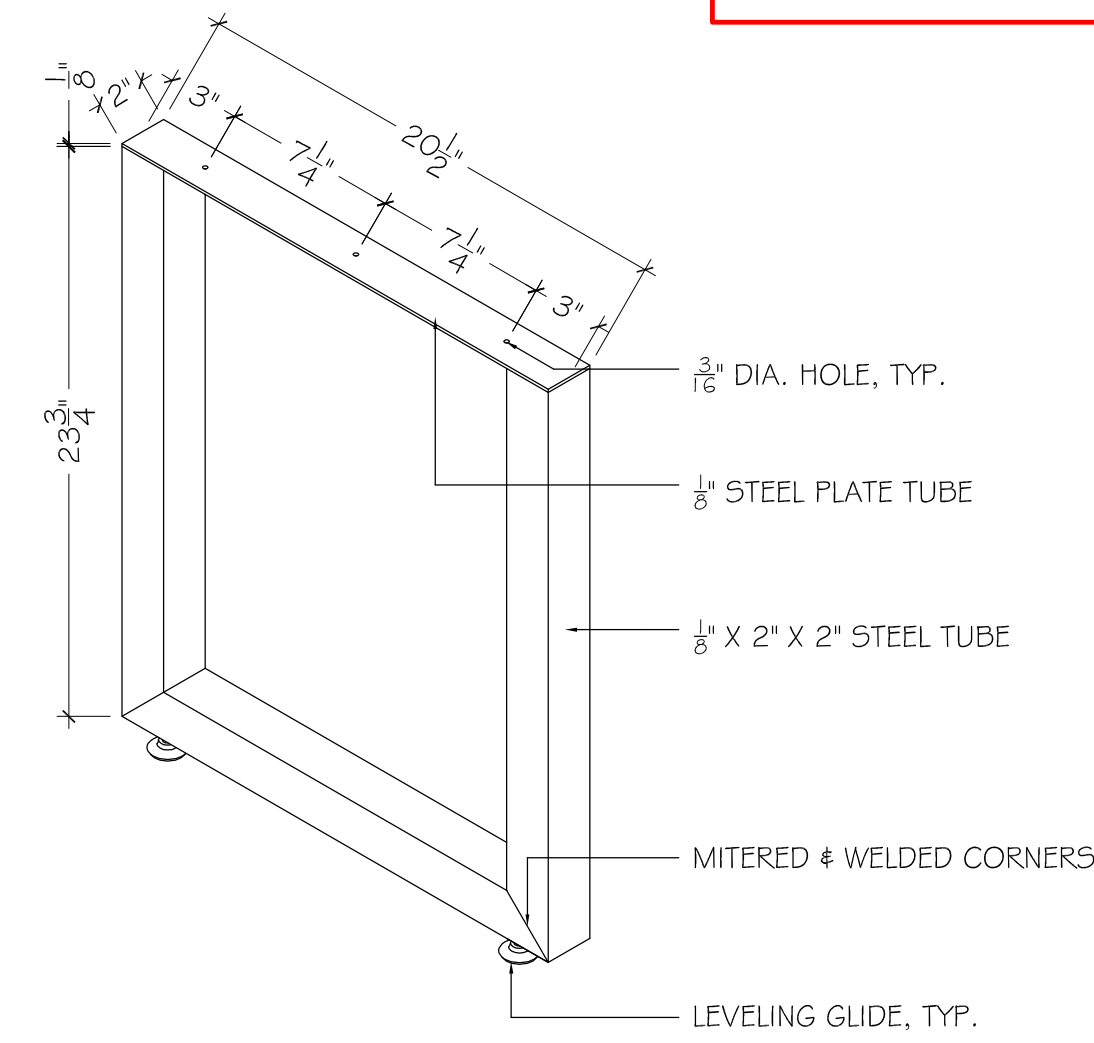
ARCH NOTE:
PLEASE PROVIDE SPECS FOR SINKS & FAUCETS.

ARCH NOTE:
PLEASE PROVIDE SPECS FOR PULLS.

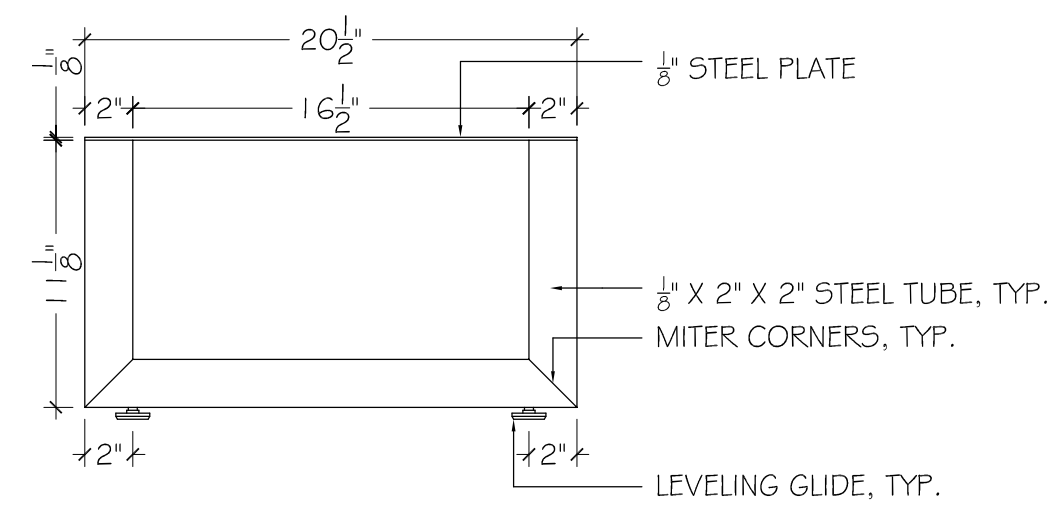
METAL LEG FABRICATION NOTE:
(2) TALL REQ'D, CHROME FINISH
(2) SHORT REQ'D, CHROME FINISH



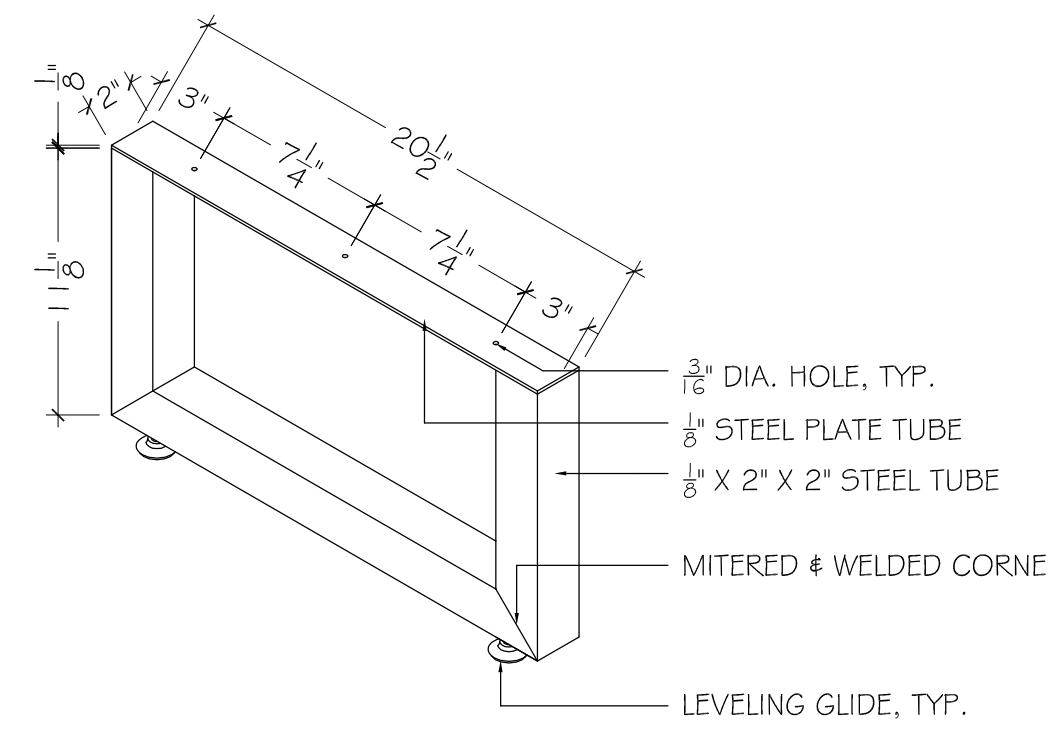
9 ELEVATION: TALL METAL LEG
SCALE: 1-1/2" = 1'-0"
REF: N/A



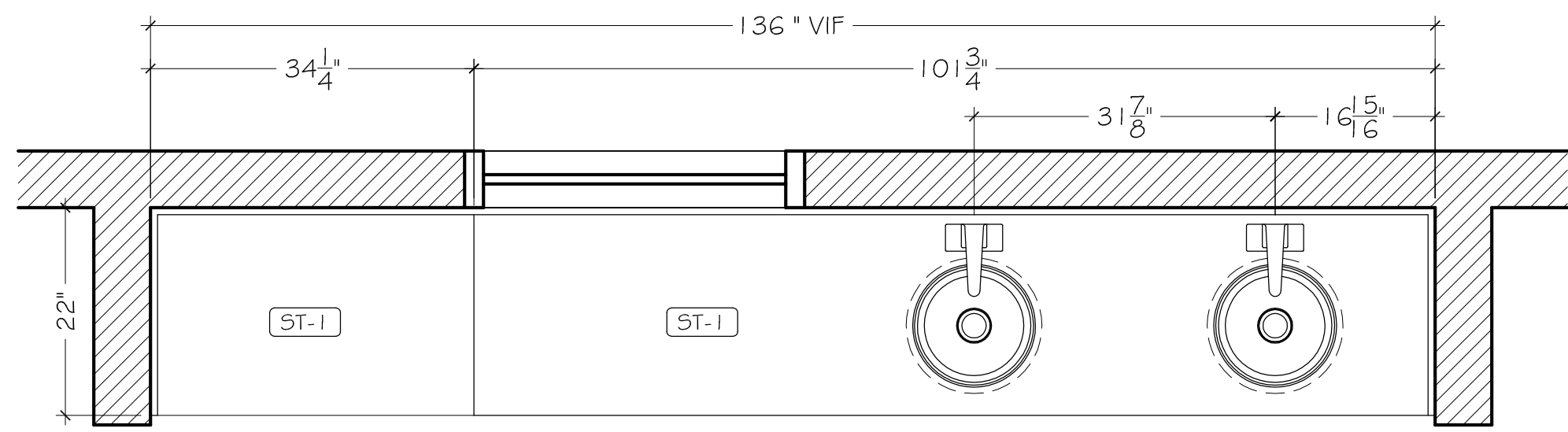
10 ISOMETRIC: TALL METAL LEG
SCALE: 1-1/2" = 1'-0"
REF: N/A



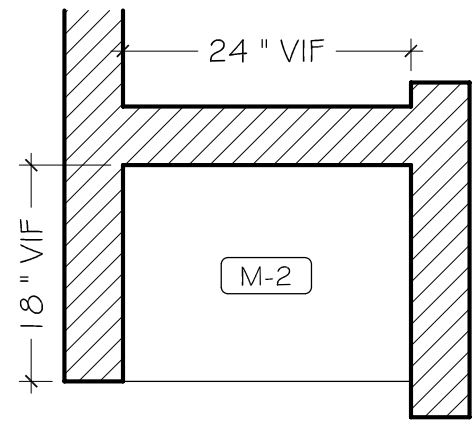
11 ELEVATION: SHORT METAL LEG
SCALE: 1-1/2" = 1'-0"
REF: N/A



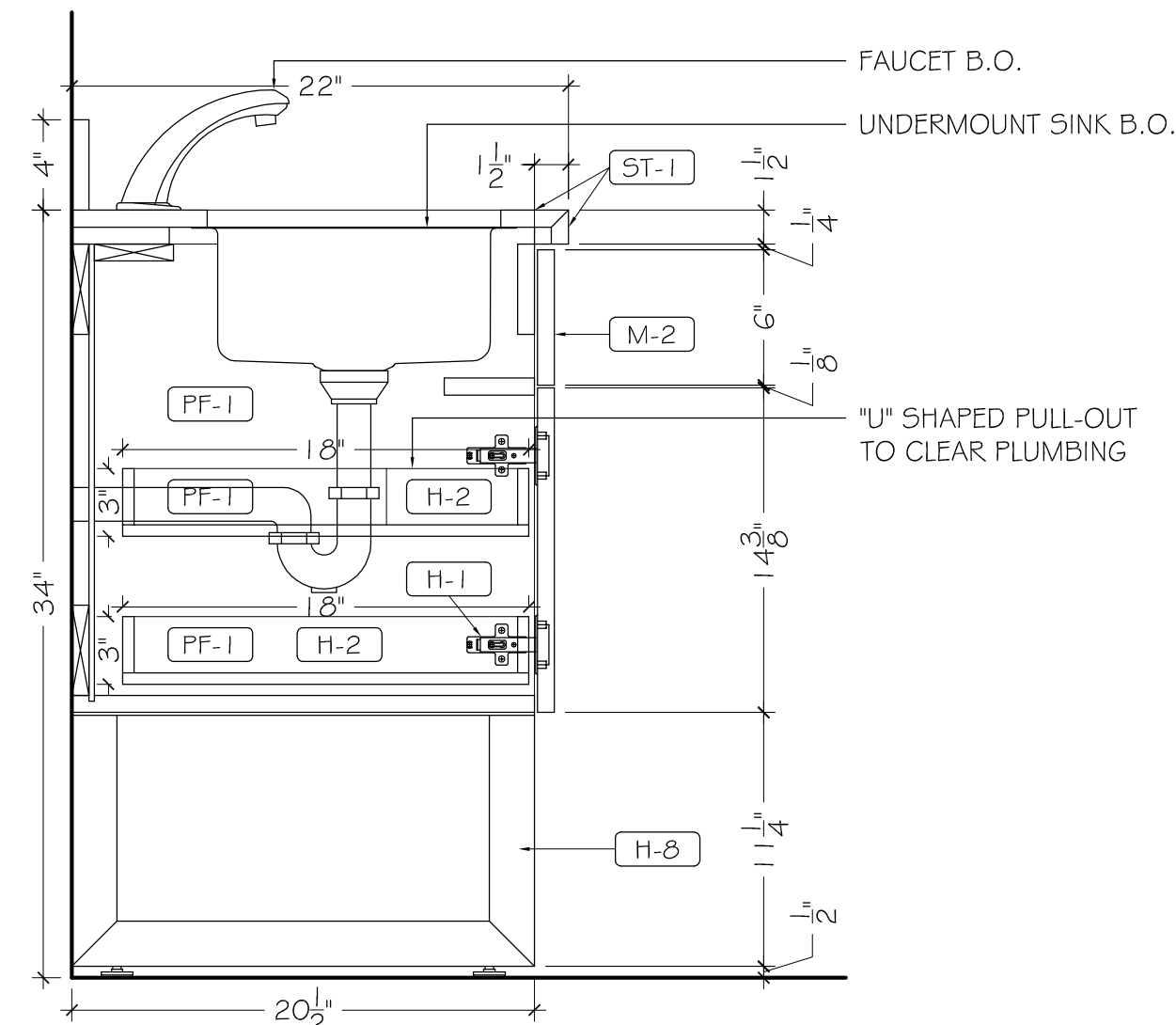
12 ISOMETRIC: SHORT METAL LEG
SCALE: 1-1/2" = 1'-0"
REF: N/A



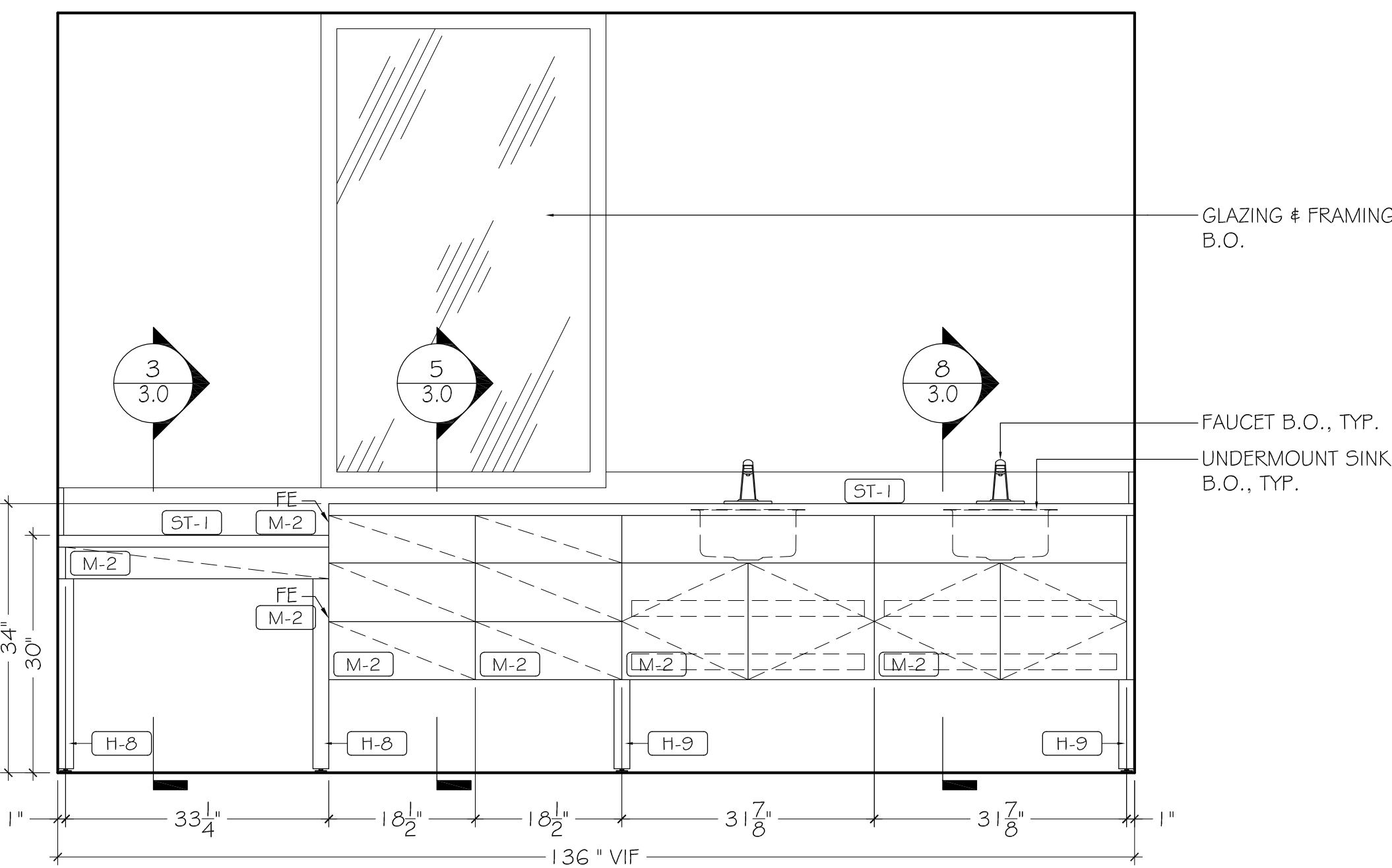
6 PLAN: GIRL'S SHARED BATHROOM I
SCALE: 3/4" = 1'-0"
REF: 1/3.3



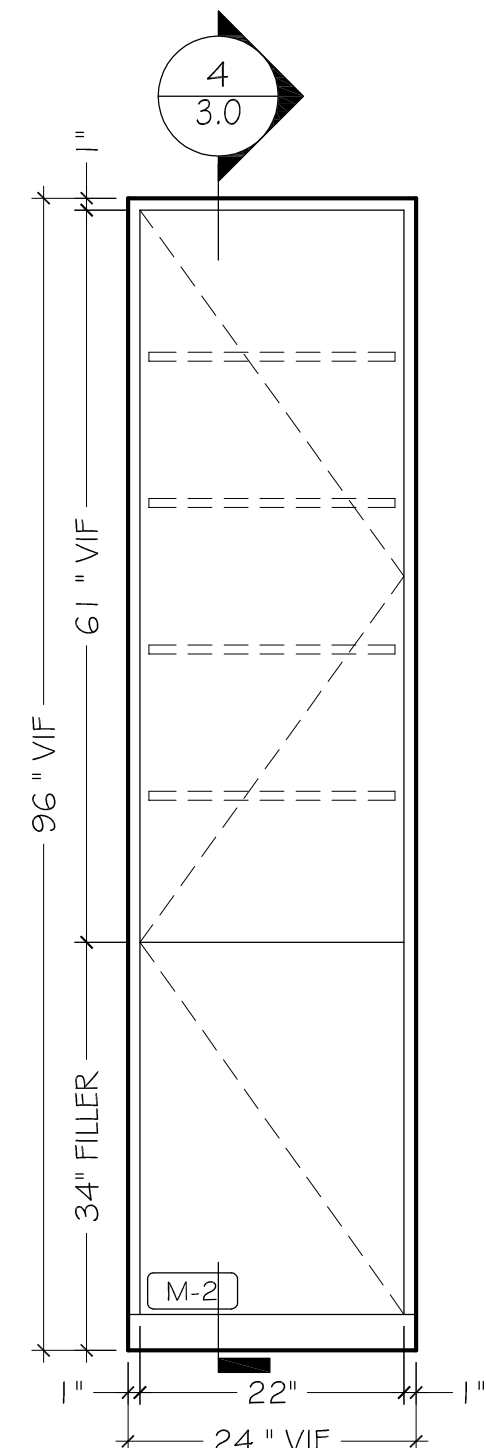
7 PLAN: GIRL'S SHARED BATHROOM I
SCALE: 3/4" = 1'-0"
REF: 1/3.3



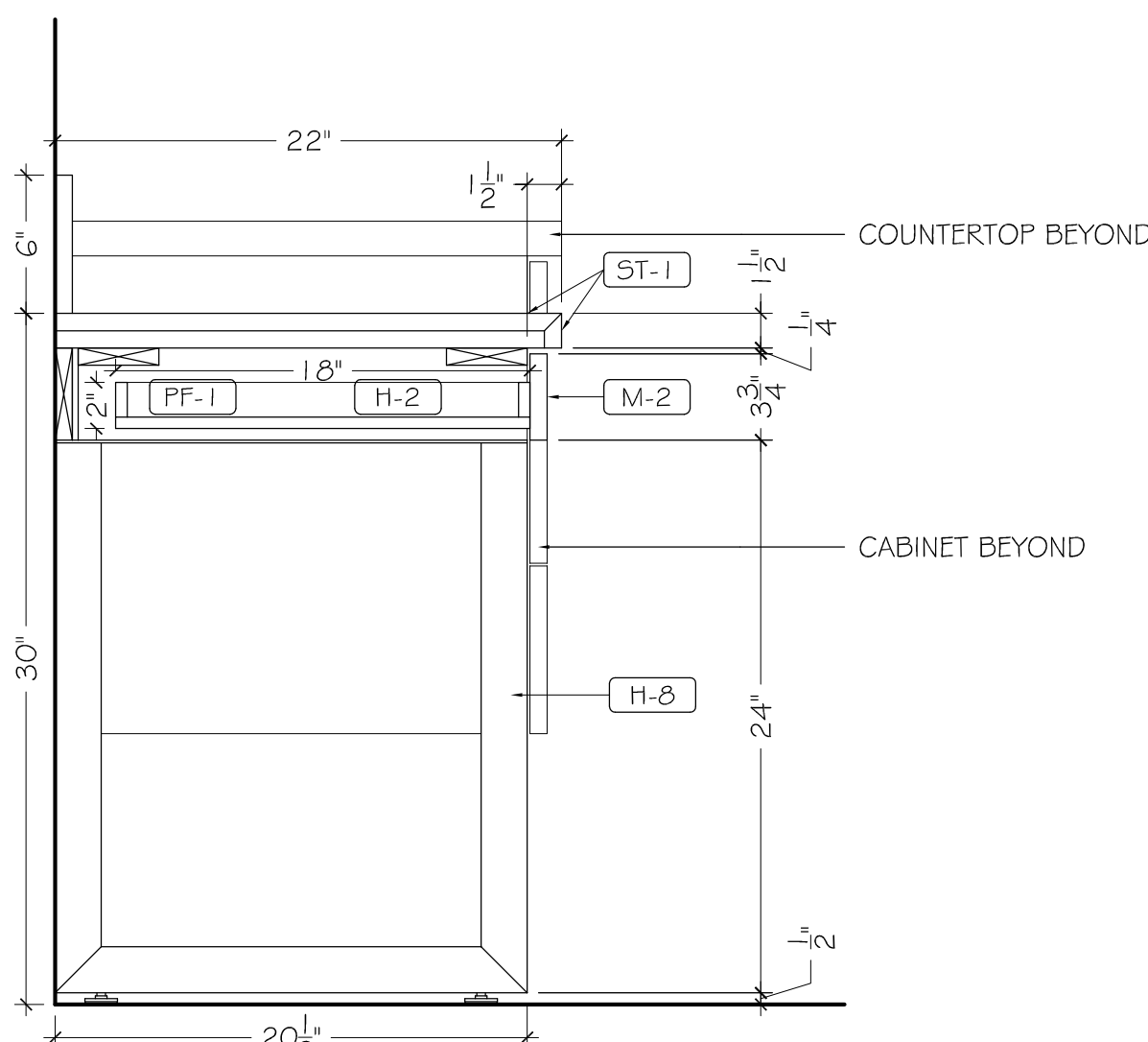
8 VERTICAL SECTION
SCALE: 1-1/2" = 1'-0"
REF: N/A



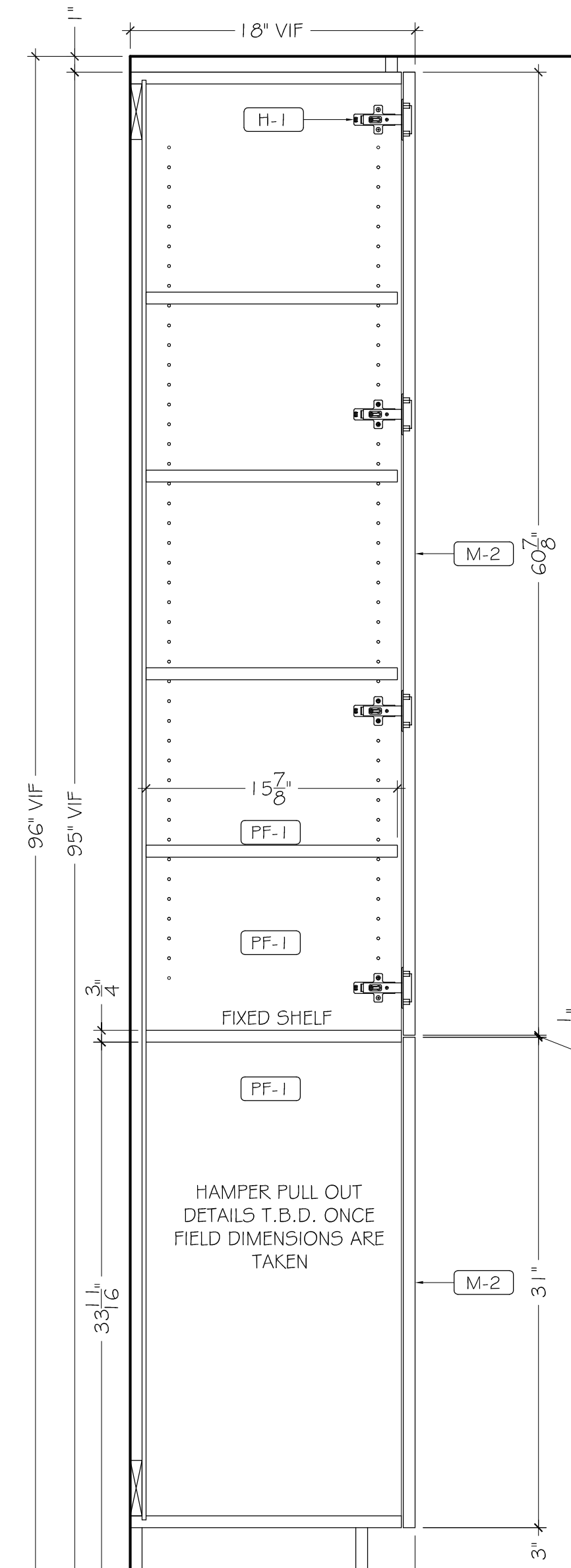
1 ELEVATION: GIRL'S SHARED BATHROOM I
SCALE: 3/4" = 1'-0"
REF: N/A



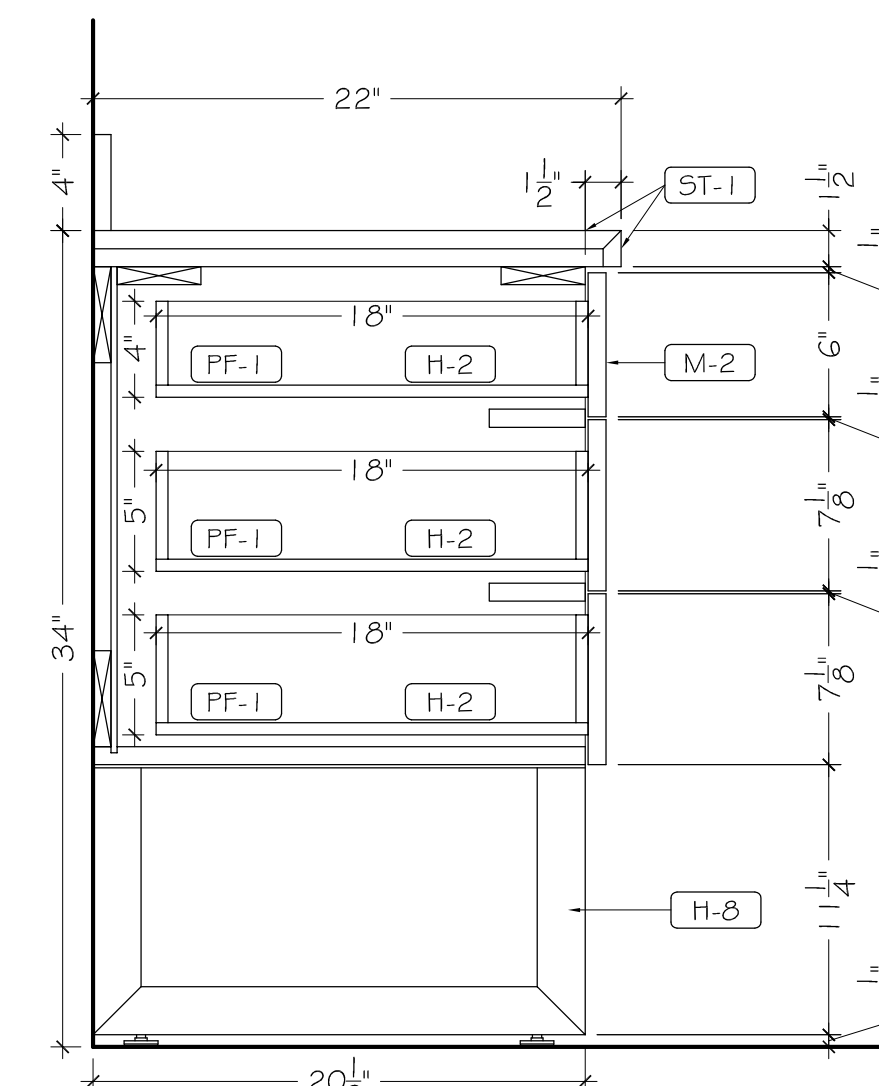
2 ELEVATION: GIRL'S SHARED BATHROOM I
SCALE: 3/4" = 1'-0"
REF: N/A



3 VERTICAL SECTION
SCALE: 1-1/2" = 1'-0"
REF: N/A



4 VERTICAL SECTION
SCALE: 1-1/2" = 1'-0"
REF: N/A



5 VERTICAL SECTION
SCALE: 1-1/2" = 1'-0"
REF: N/A

GLASS	
GL-1	BACK PAINTED GLASS
WOOD, VENEER, MELAMINE	
WD-1	QUARTER SAWN WHITE OAK W/ MEDIUM GREY STAIN, MULTI-DEPTH CERUSED FINISH
WD-2	BIRCH PLYWOOD W/ MATCHING EDGE BAND - SHOP PAINTED, COLOR T.B.D.
PF-1	PRE-FINISHED MAPLE PLYWOOD
SOLID SURFACE, STONE, METAL GLASS	
QZ-1	QUARTZ - WHITE
ST-1	SILVER ATHENS CREAM MARBLE
QZ-1	QUARTZ - WHITE
MT-1	1/2" X 2" STEEL W/ CHROME FINISH
PAINT	
PT-1	BENJAMIN MOORE #1613 SILENT NIGHT, HIGH GLOSS FINISH
PT-2	WHITE
HARDWARE	
H-1	HINGES: BLUM CLIP TOP 120° CONCEALED HINGE
H-2	DRAWER GLIDES: BLUM TANTUM PLUS #568H
H-3	TRASH PULL-OUT: CENTURY COMPONENTS, 50 QT. DOUBLE WASTE BIN
H-4	BLIND CORNER PULL-OUT: HAFELE #548.10.240 MAGIC CORNER II
H-5	1/2" X 1 1/2" X 1 1/2" ALUMINUM ANGLE
H-6	TOUCH LATCH: BLUM #956.1004 TIP - ON
H-7	STEEL OUTRIGGER
H-8	TALL METAL LEG - CHROME FINISH
H-9	SHORT METAL LEG - CHROME FINISH
H-10	COAT ROD: RICHELIEU #122208140, CHROME FINISH
H-11	COAT ROD END FLANGE: RICHELIEU #9764114140, CHROME FINISH
H-12	PULL OUT HAMPER
MISCELLANEOUS	
M-1	CONESTOGA WOOD SPECIALISTS - ALUMINUM FRAME, PROFILE #AFO10, BRUSHED STAINLESS STEEL FINISH, INSERT TYPE - DFG - SILVER MATTE W/ LIGHT GREY BACKER
M-2	RAVUSIO CRYSTAL - SABBIA, HIGH GLOSS FINISH

NEILSON RESIDENCE

DRAWN BY:
M.G.

ISSUE DATE: 12-21-16

REVISIONS: 2-1-17

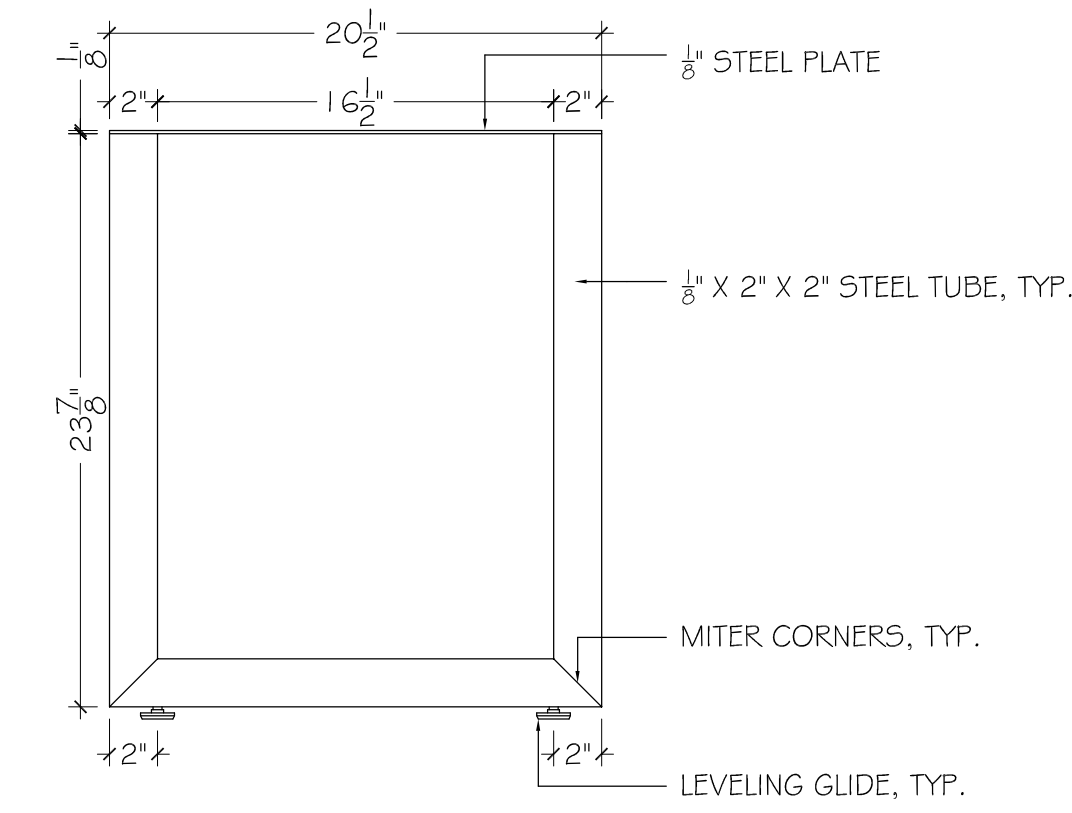
JOB NUMBER:
XXXXX

3.0

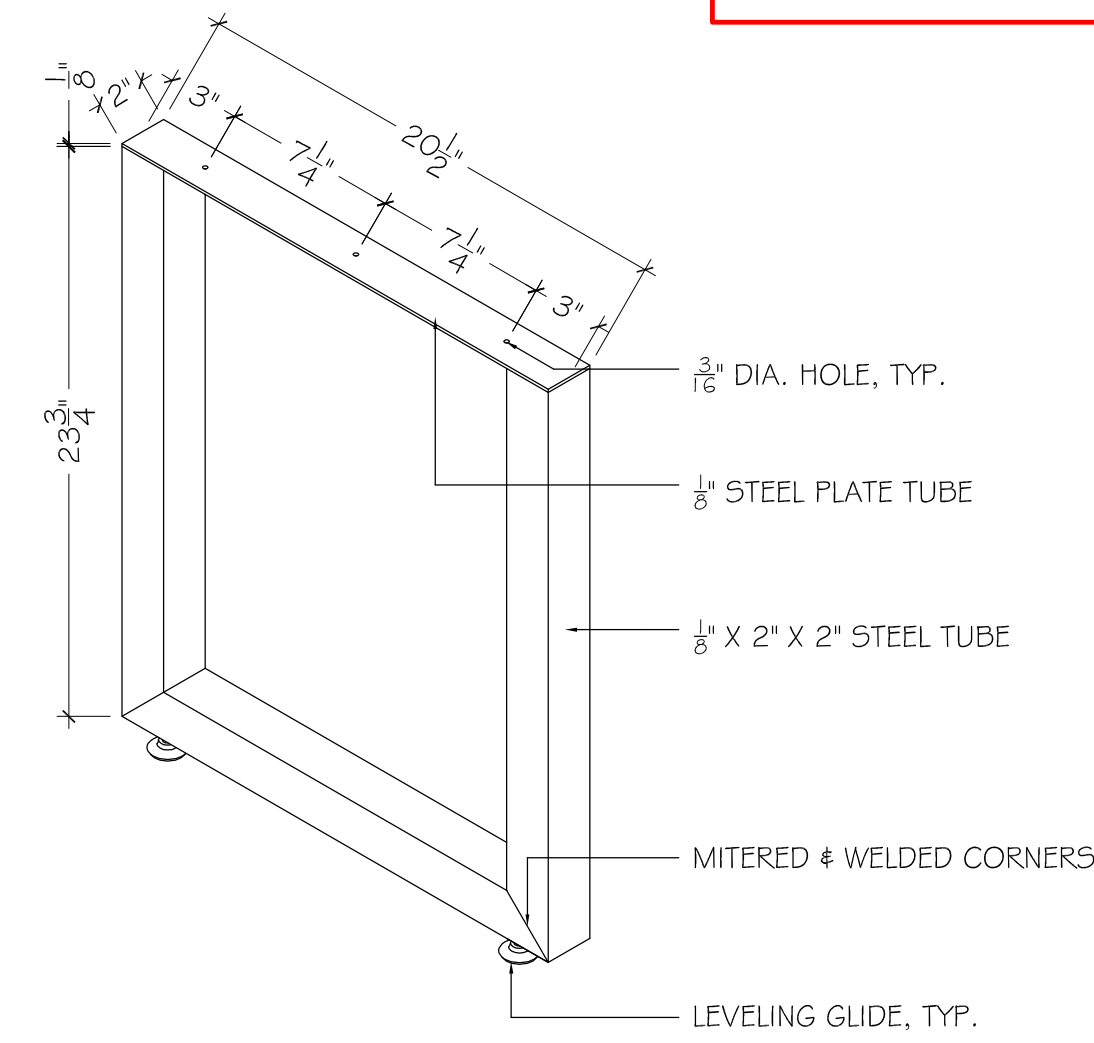
ARCH NOTE:
PLEASE PROVIDE SPECS FOR SINKS & FAUCETS.

ARCH NOTE:
PLEASE PROVIDE SPECS FOR PULLS.

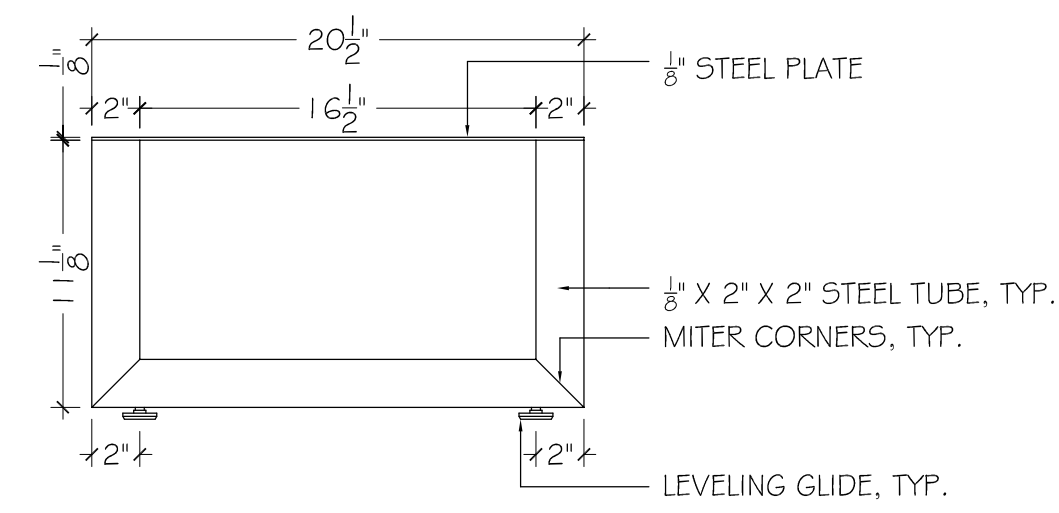
METAL LEG FABRICATION NOTE:
(2) TALL REQ'D, CHROME FINISH
(2) SHORT REQ'D, CHROME FINISH



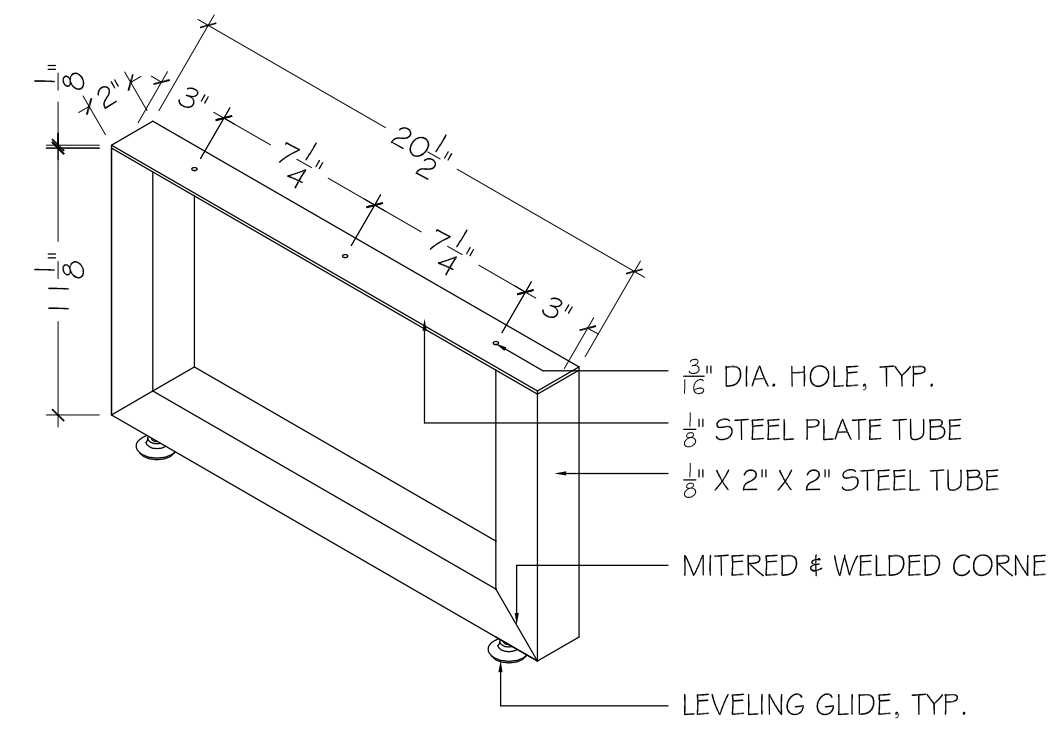
9 ELEVATION: TALL METAL LEG
SCALE: 1-1/2" = 1'-0"
REF: N/A



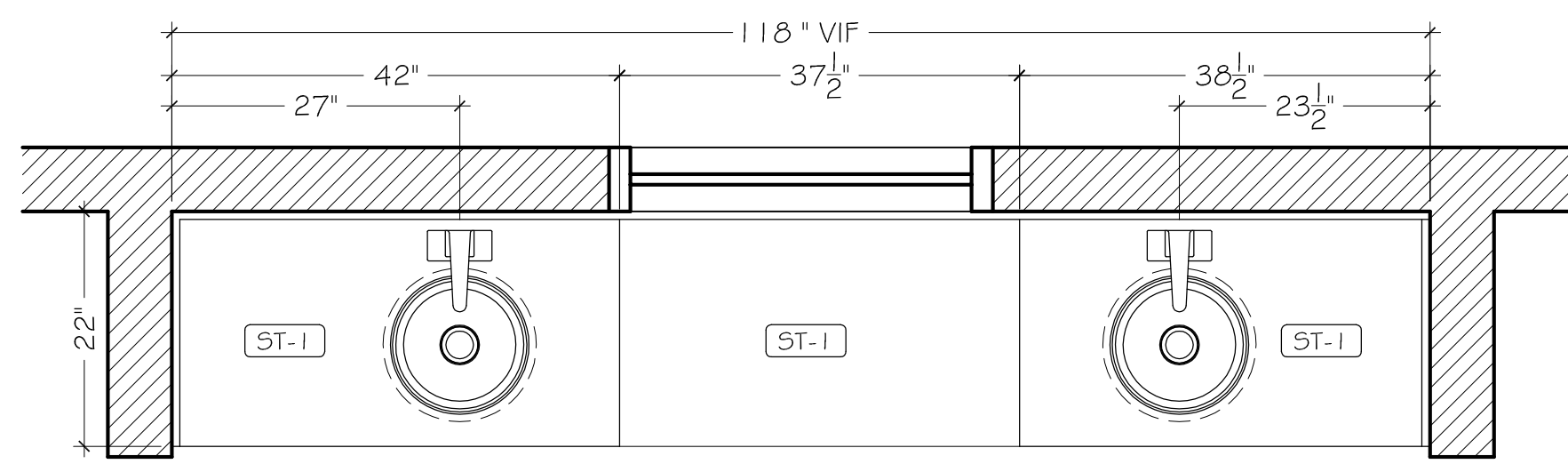
10 ISOMETRIC: TALL METAL LEG
SCALE: 1-1/2" = 1'-0"
REF: N/A



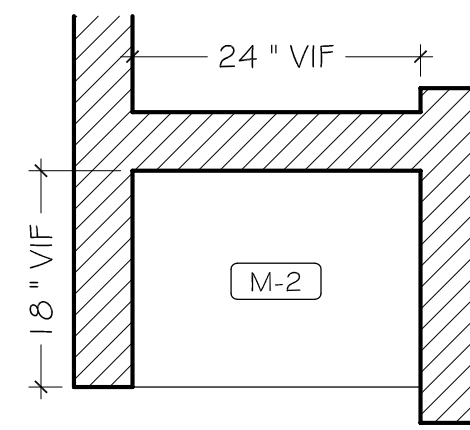
11 ELEVATION: SHORT METAL LEG
SCALE: 1-1/2" = 1'-0"
REF: N/A



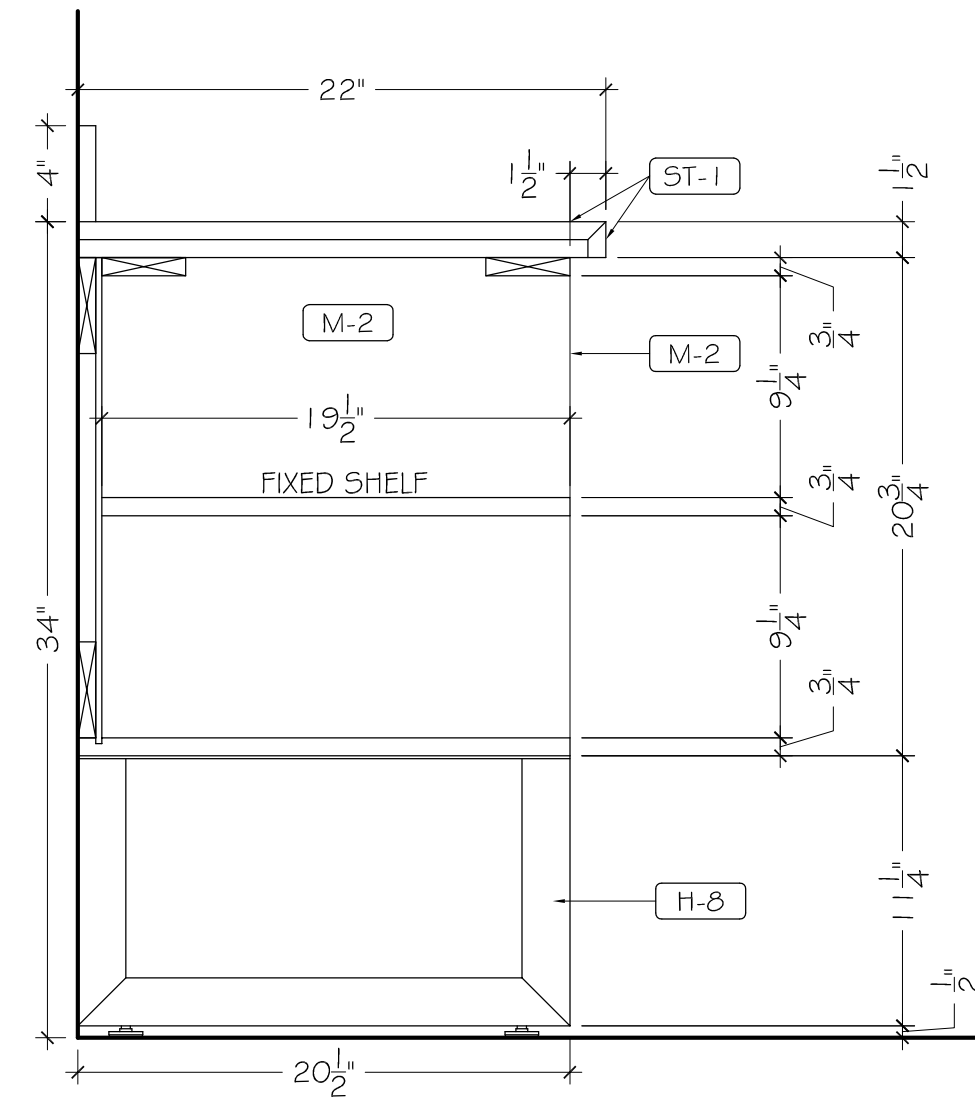
12 ISOMETRIC: SHORT METAL LEG
SCALE: 1-1/2" = 1'-0"
REF: N/A



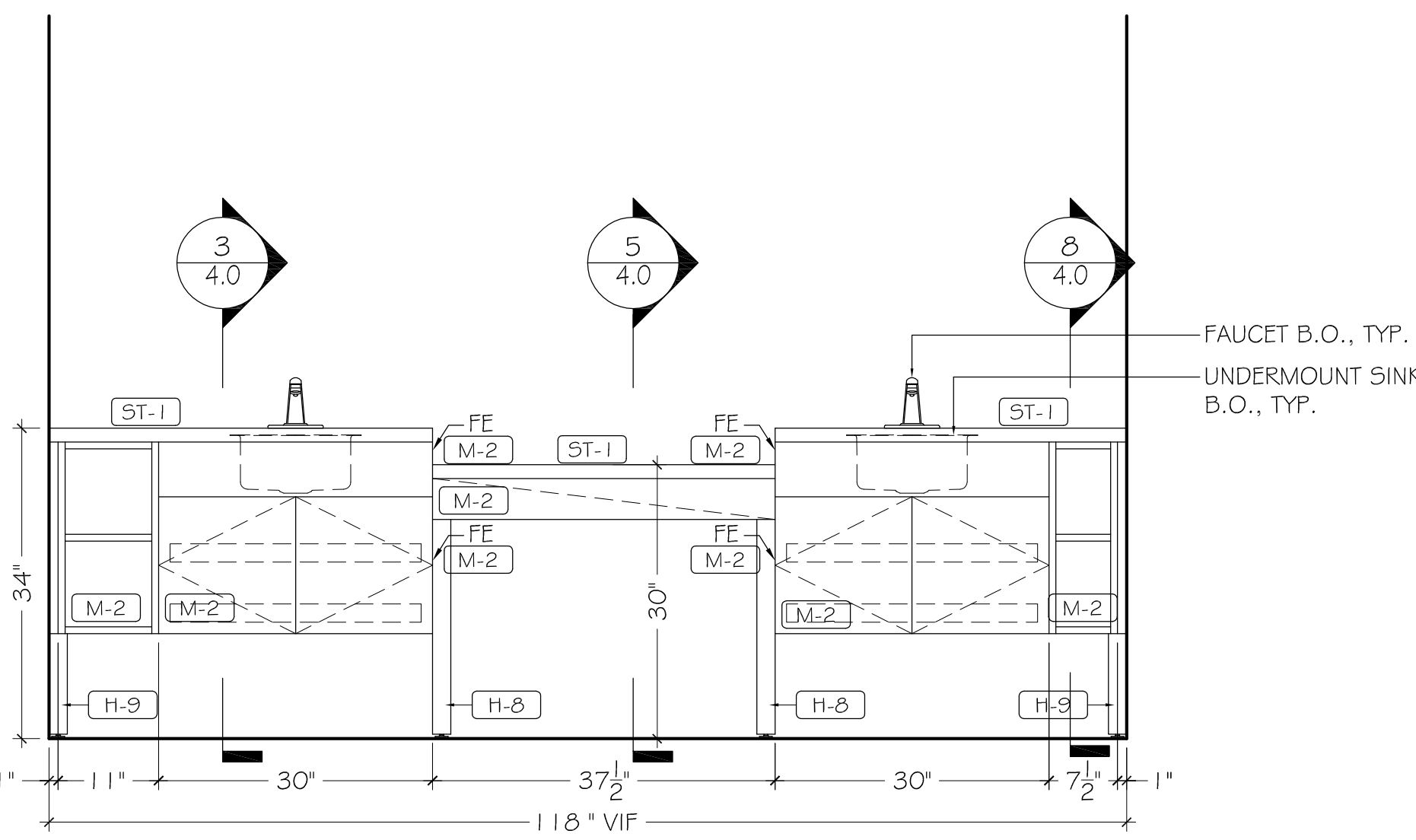
6 PLAN: GIRL'S SHARED BATHROOM 2
SCALE: 3/4" = 1'-0"
REF: 1/3.3



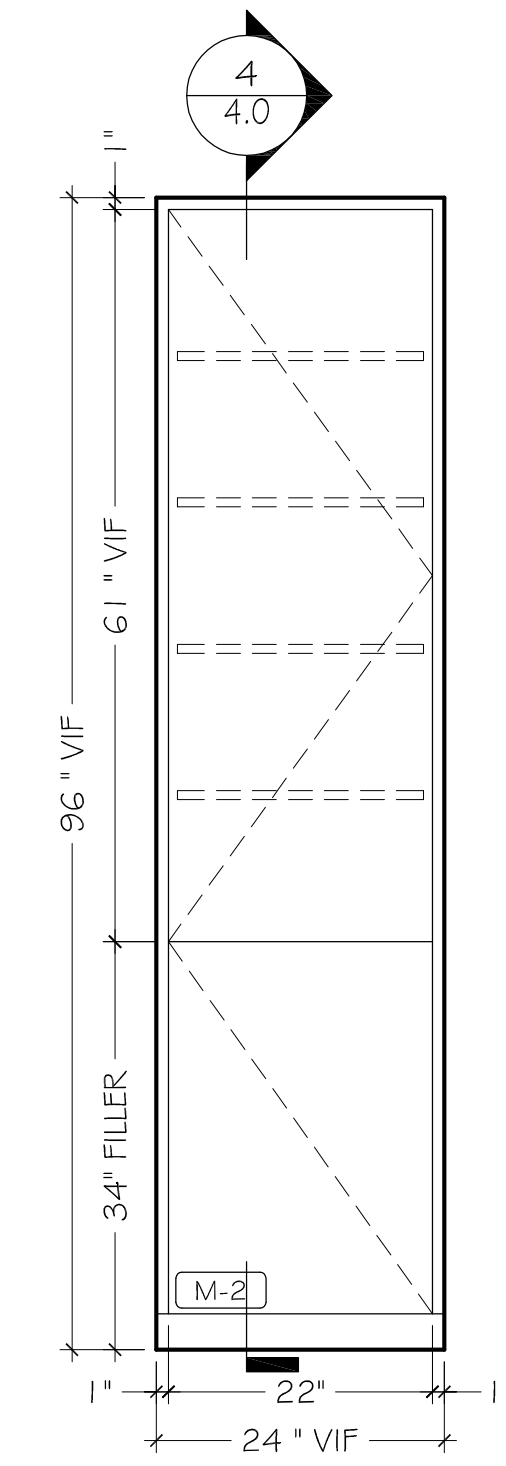
7 PLAN: GIRL'S SHARED BATHROOM 2
SCALE: 3/4" = 1'-0"
REF: 1/3.3



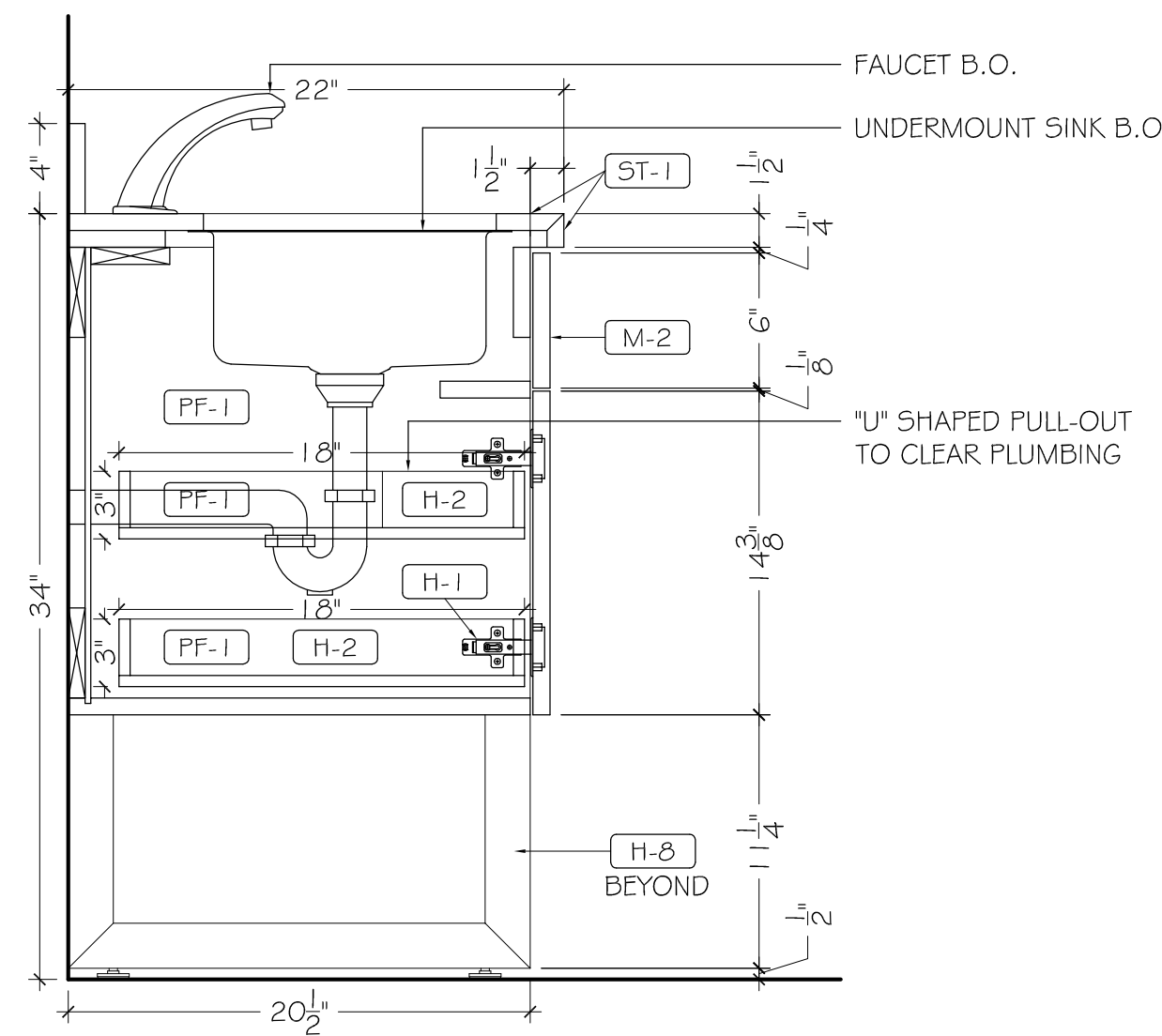
8 VERTICAL SECTION
SCALE: 1-1/2" = 1'-0"
REF: N/A



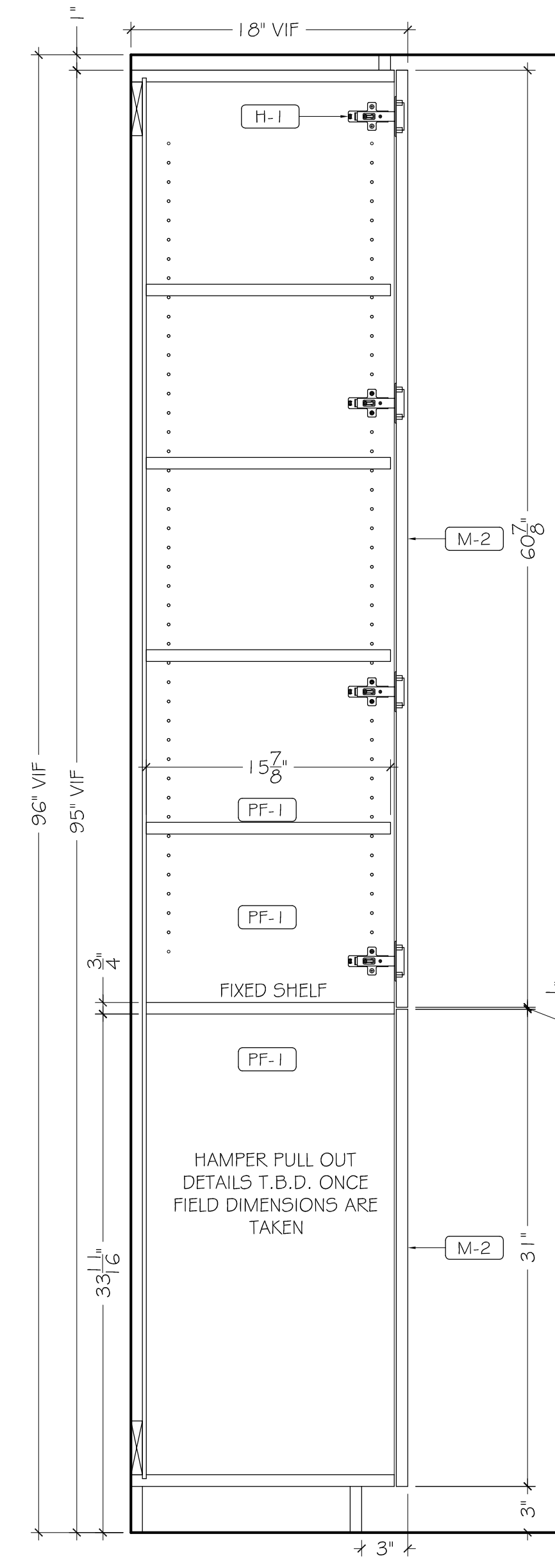
1 ELEVATION: GIRL'S SHARED BATHROOM 2
SCALE: 3/4" = 1'-0"
REF:



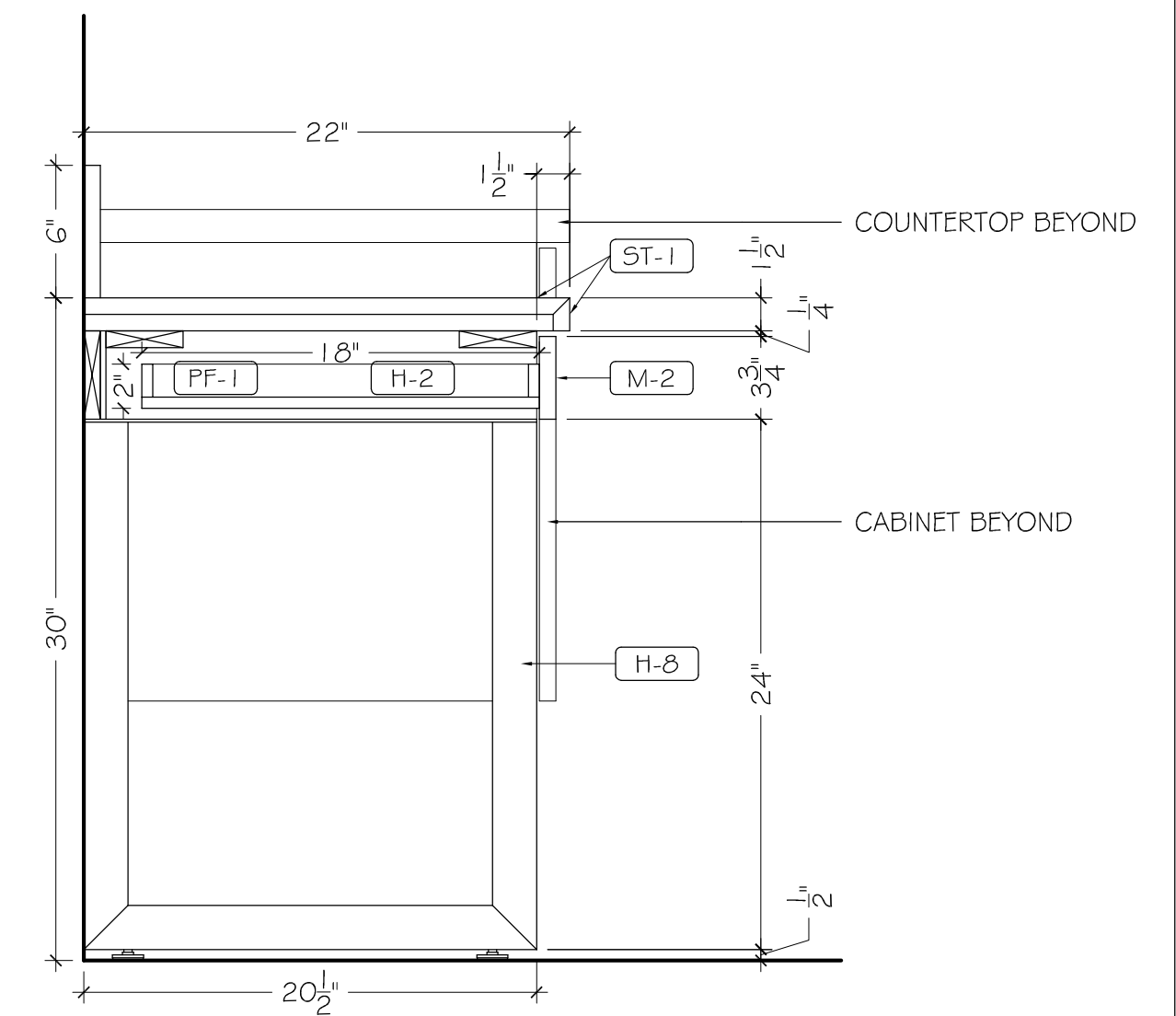
2 ELEVATION: GIRL'S SHARED BATHROOM 2
SCALE: 3/4" = 1'-0"
REF:



3 VERTICAL SECTION
SCALE: 1-1/2" = 1'-0"
REF: N/A



4 VERTICAL SECTION
SCALE: 1-1/2" = 1'-0"
REF: N/A



5 VERTICAL SECTION
SCALE: 1-1/2" = 1'-0"
REF: N/A

GLASS	
GL-1	BACK PAINTED GLASS
WOOD, VENEER, MELAMINE	
WD-1	QUARTER SAWN WHITE OAK W/ MEDIUM GREY STAIN, MULTI-DEPTH CERUSED FINISH
WD-2	BIRCH PLYWOOD W/ MATCHING EDGERAND - SHOP PAINTED, COLOR T.B.D.
PF-1	PRE-FINISHED MAPLE PLYWOOD
SOLID SURFACE, STONE, METAL GLASS	
QZ-1	QUARTZ - WHITE
ST-1	SILVER ATHENS CREAM MARBLE
QZ-1	QUARTZ - WHITE
MT-1	1/2" X 2" STEEL W/ CHROME FINISH
PAINT	
PT-1	BENJAMIN MOORE #1613 SILENT NIGHT, HIGH GLOSS FINISH
PT-2	WHITE
HARDWARE	
H-1	HINGES: BLUM CLIP TOP 120° CONCEALED HINGE
H-2	DRAWER GLIDES: BLUM TANTUM PLUS #568H
H-3	TRASH PULL-OUT: CENTURY COMPONENTS, 50 QT. DOUBLE WASTE BIN
H-4	BLIND CORNER PULL-OUT: HAFELE #548.10.240 MAGIC CORNER II
H-5	1/2" X 1 1/4" X 1 1/4" ALUMINUM ANGLE
H-6	TOUCH LATCH: BLUM #956.1004 TIP - ON
H-7	STEEL OUTRIGGER
H-8	TALL METAL LEG - CHROME FINISH
H-9	SHORT METAL LEG - CHROME FINISH
H-10	COAT ROD: RICHELIEU #122208140, CHROME FINISH
H-11	COAT ROD END FLANGE: RICHELIEU #8764114140, CHROME FINISH
H-12	PULL OUT HAMPER
MISCELLANEOUS	
CONESTOGA WOOD SPECIALISTS - ALUMINUM FRAME, PROFILE #AFO10, BRUSHED STAINLESS STEEL FINISH, INSERT TYPE - BFG - SILVER MATTE W/ LIGHT GREY BACKER	
M-1	
M-2	RAVUSIO CRYSTAL - SABBIA, HIGH GLOSS FINISH

NEILSON RESIDENCE

DRAWN BY:
M.G.

ISSUE DATE: 12-21-16
REVISIONS: 2-1-17

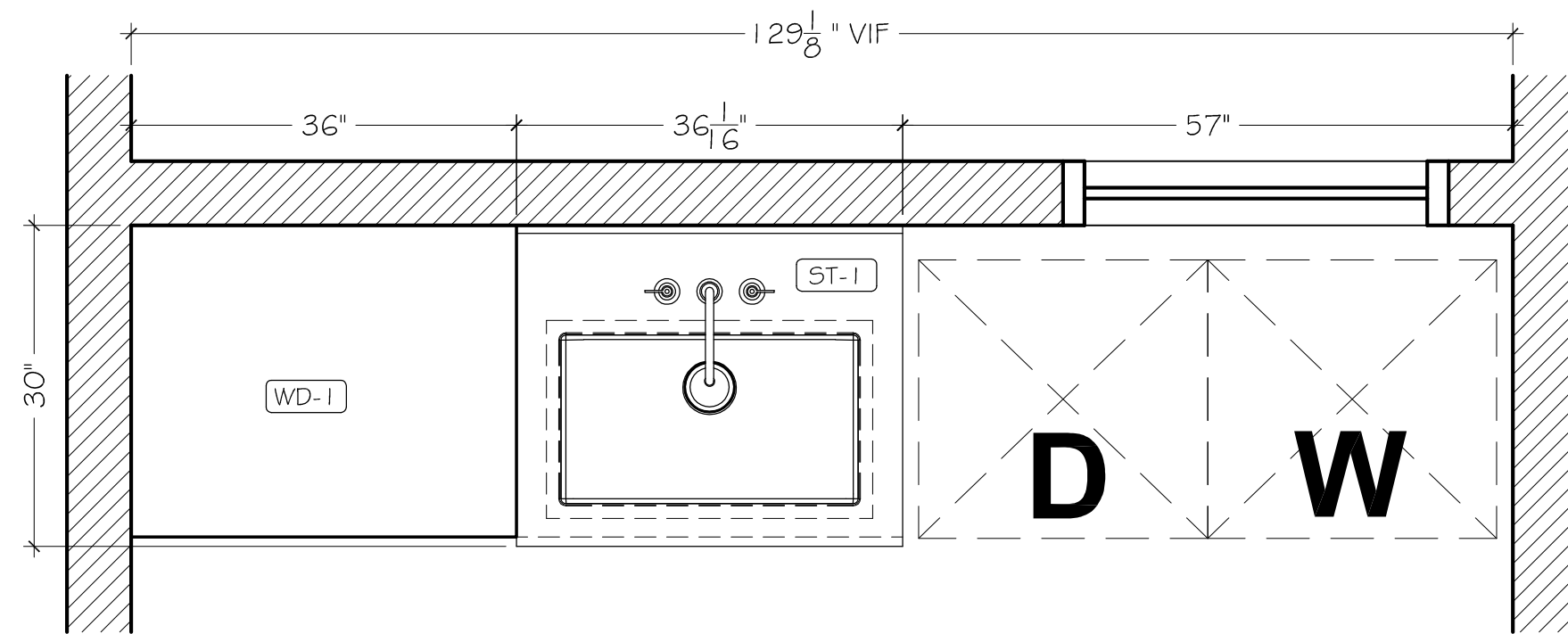
JOB NUMBER:
XXXXXX

4.0

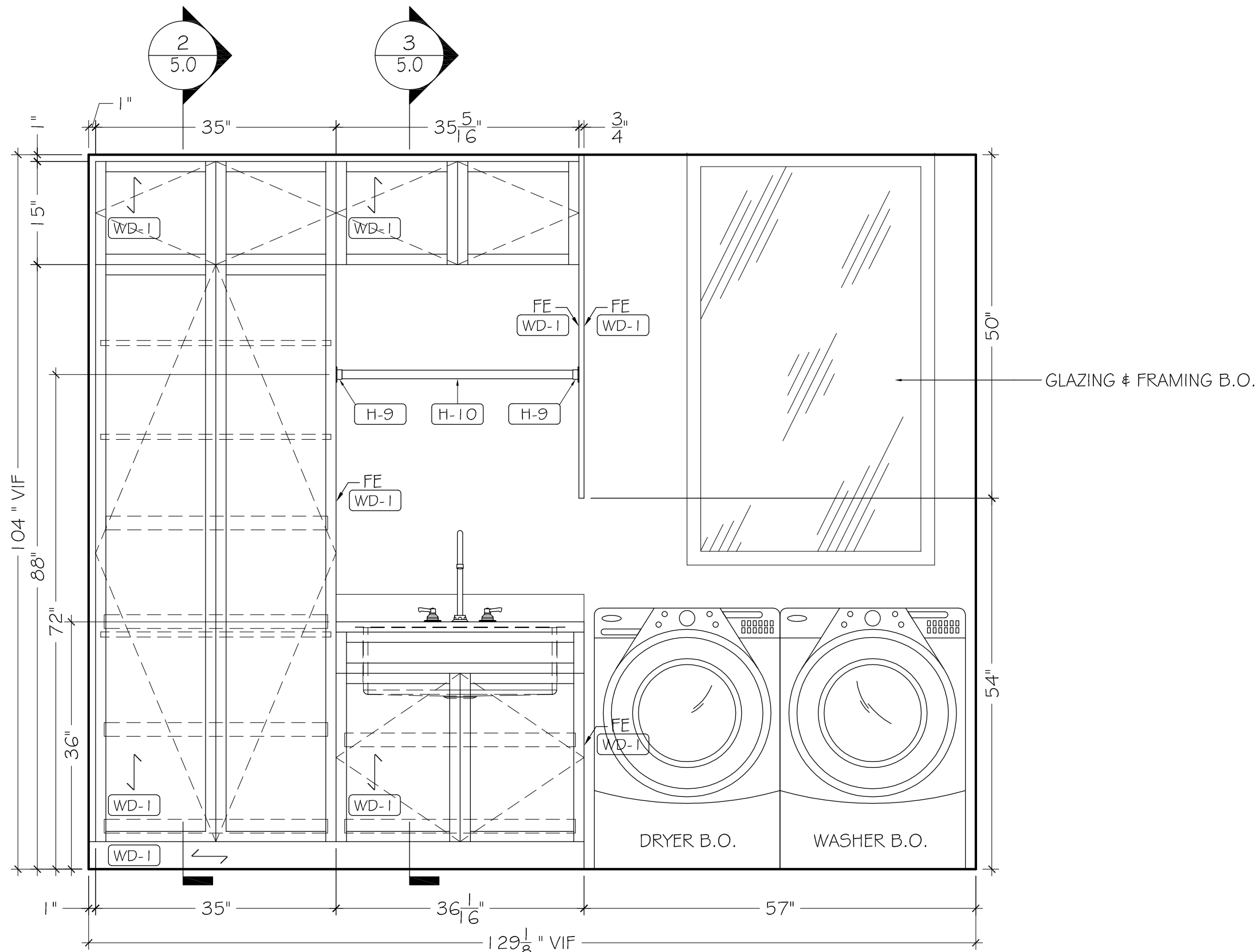
ARCH NOTE:
PLEASE PROVIDE SPECS FOR SINKS & FAUCETS.

ARCH NOTE:
PLEASE PROVIDE SPECS FOR PULLS.

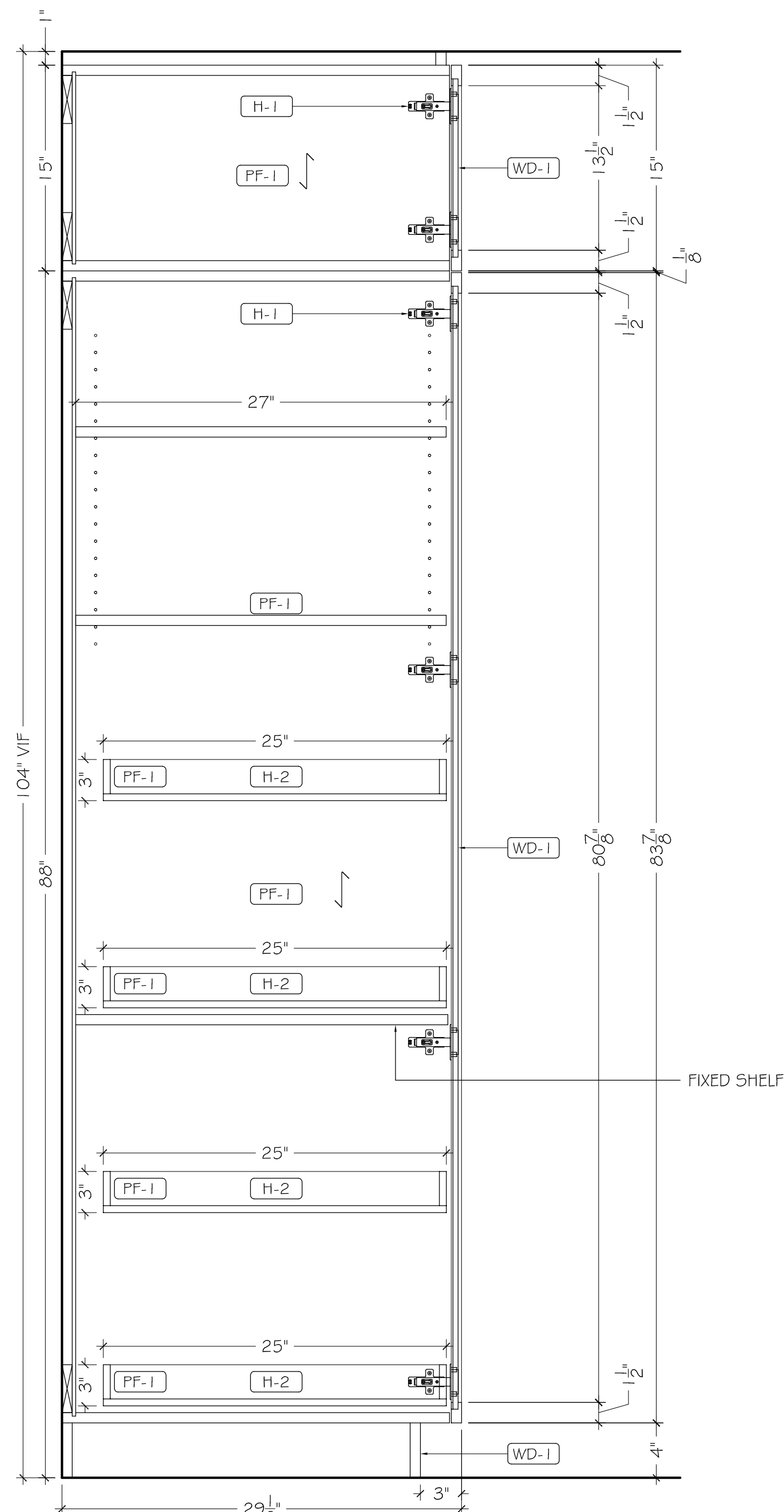
ARCH NOTE:
PLEASE PROVIDE DETAILS FOR MODIFIED
SHAKER STYLE DOOR/DRAWER FRONTS,



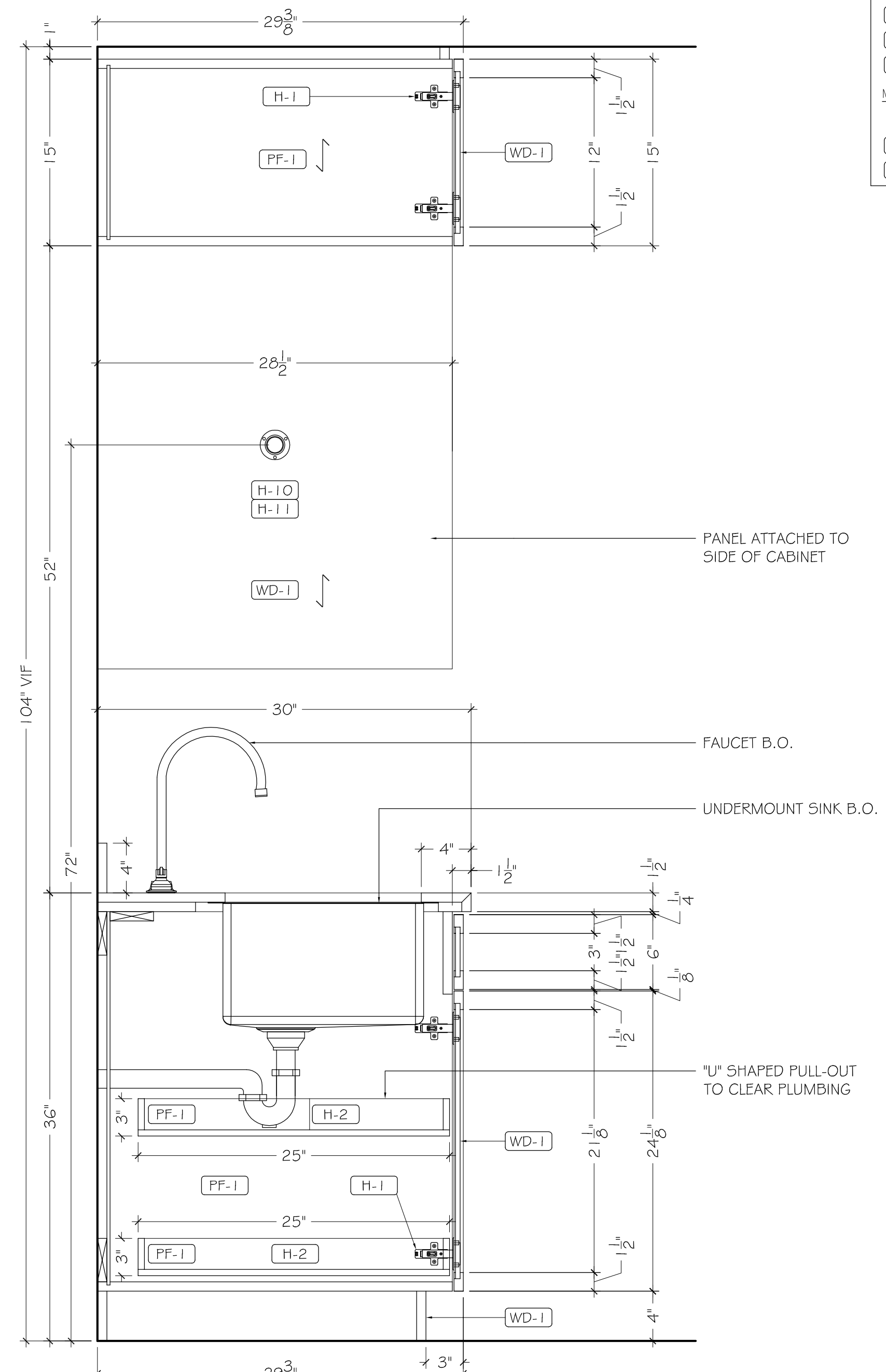
4 PLAN: LAUNDRY ROOM
SCALE: 3/4" = 1'-0"
REF: 1/3.2



1 ELEVATION: LAUNDRY ROOM
SCALE: 3/4" = 1'-0"
REF:



2 VERTICAL SECTION
SCALE: 1-1/2" = 1'-0"
REF: NA



3 VERTICAL SECTION
SCALE: 1-1/2" = 1'-0"
REF: NA

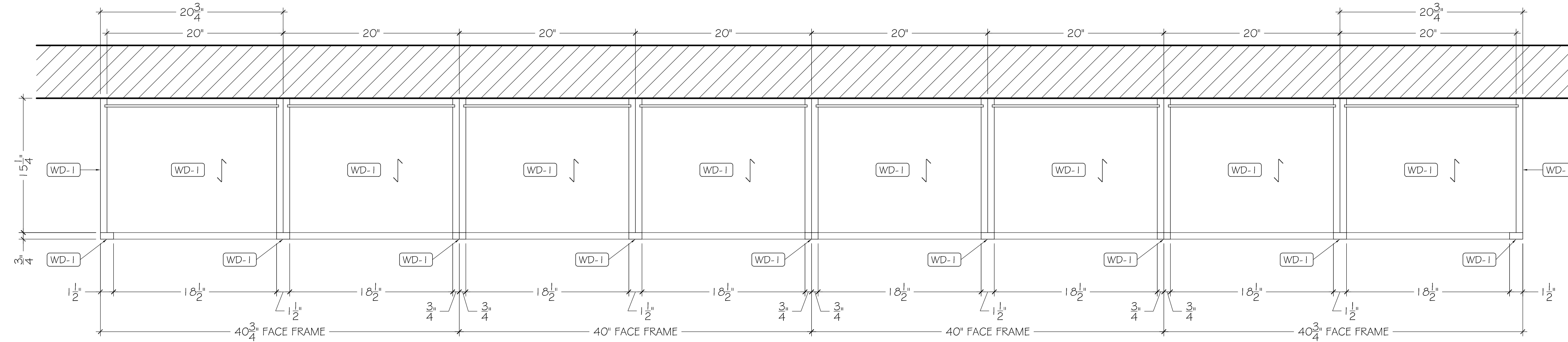
GLASS	
GL-1	BACK PAINTED GLASS
WOOD, VENEER, MELAMINE	
WD-1	QUARTER SAUN WHITE OAK W/ MEDIUM GREY STAIN, MULTI-DEPTH CERUSED FINISH
WD-2	3/4" BIRCH PLYWOOD W/ MATCHING EDGE BAND - SHOP PAINTED, COLOR T.B.D.
PF-1	PRE-FINISHED MAPLE PLYWOOD
SOLID SURFACE, STONE, METAL GLASS	
QZ-1	QUARTZ - WHITE
ST-1	SILVER ATHENS CREAM MARBLE
QZ-1	QUARTZ - WHITE
MT-1	1/2" X 2" STEEL W/ CHROME FINISH
PAINT	
PT-1	BENJAMIN MOORE #1613 SILENT NIGHT, HIGH GLOSS FINISH
PT-2	WHITE
HARDWARE	
H-1	HINGES: BLUM CLIP TOP 120° CONCEALED HINGE
H-2	DRAWER SLIDES: BLUM TANTUM PLUS #568H
H-3	TRASH PULL-OUT: CENTURY COMPONENTS, 50 QT. DOUBLE WASTE BIN
H-4	BLIND CORNER PULL-OUT: HAFELE #54B, I.O.240 MAGIC CORNER II
H-5	1/2" X 1 1/2" X 1 1/2" ALUMINUM ANGLE
H-6	TOUCH LATCH: BLUM #956.1004 TIP - ON
H-7	STEEL OUTRIGGER
H-8	TALL METAL LEG - CHROME FINISH
H-9	SHORT METAL LEG - CHROME FINISH
H-10	COAT ROD: RICHELIEU #122208140, CHROME FINISH
H-11	COAT ROD END FLANGE: RICHELIEU #8764114140, CHROME FINISH
H-12	PULL OUT HAMPER
MISCELLANEOUS	
CONESTOGA WOOD SPECIALISTS - ALUMINUM FRAME, PROFILE #AFO10, BRUSHED STAINLESS STEEL FINISH, INSERT TYPE - BPG - SILVER MATTE W/ LIGHT GREY BACKER	
M-1	
M-2	RAVIVISIO CRYSTAL - SABBIA, HIGH GLOSS FINISH

NEILSON RESIDENCE

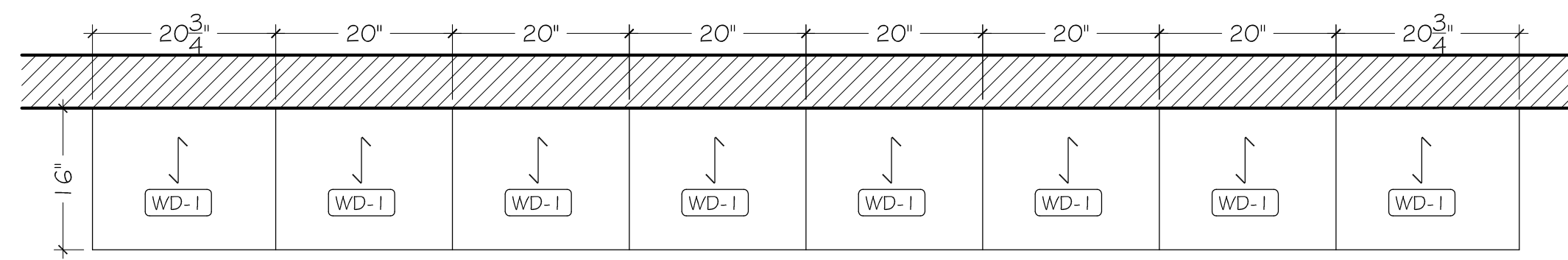
DRAWN BY:
M.G.
ISSUE DATE: 12-21-16
REVISIONS: 2-1-17

JOB NUMBER:
XXXXXX
5.0

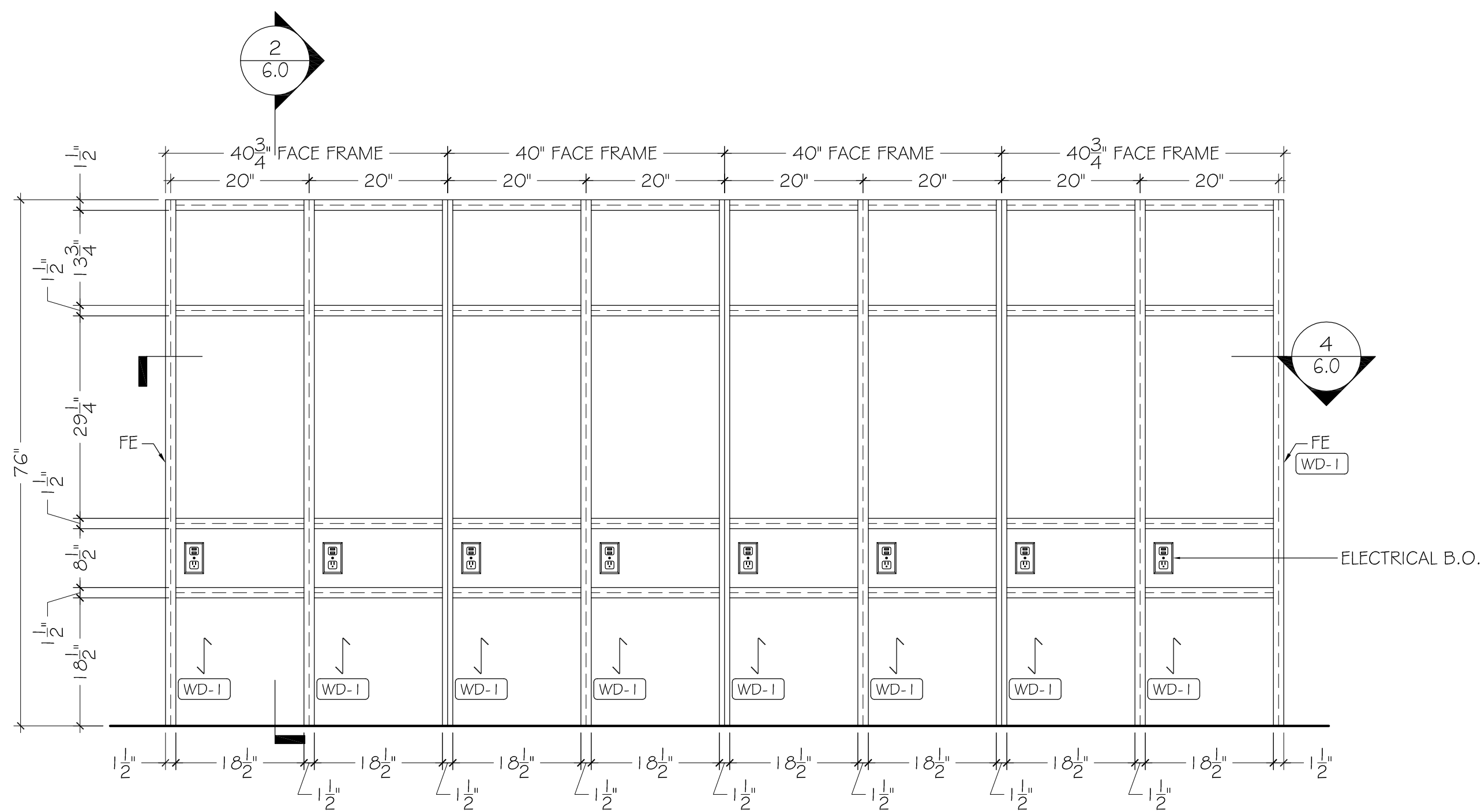
FABRICATION NOTE:
 ALL EXPOSED SURFACES TO BE WD-1.
 FACE FRAMES BUILD IN SHOP AND INSTALLED IN FIELD.



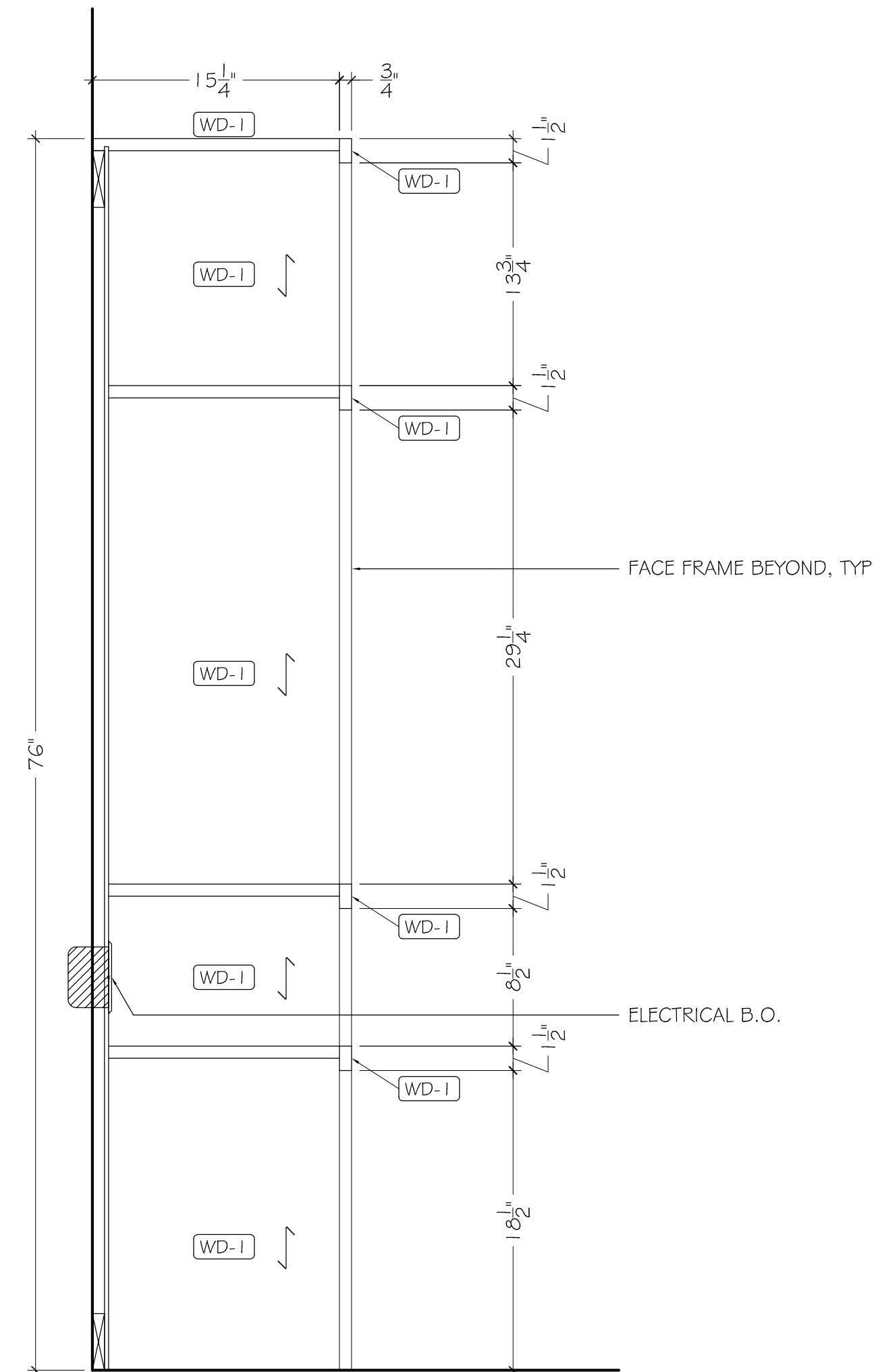
4 HORIZONTAL SECTION
 SCALE: 1-1/2" = 1'-0"
 REF: N/A



3 PLAN: SKI ROOM
 SCALE: 3/4" = 1'-0"
 REF: 1/3.2



1 ELEVATION: SKI ROOM
 SCALE: 3/4" = 1'-0"
 REF: SR-6



2 VERTICAL SECTION
 SCALE: 1-1/2" = 1'-0"
 REF: N/A

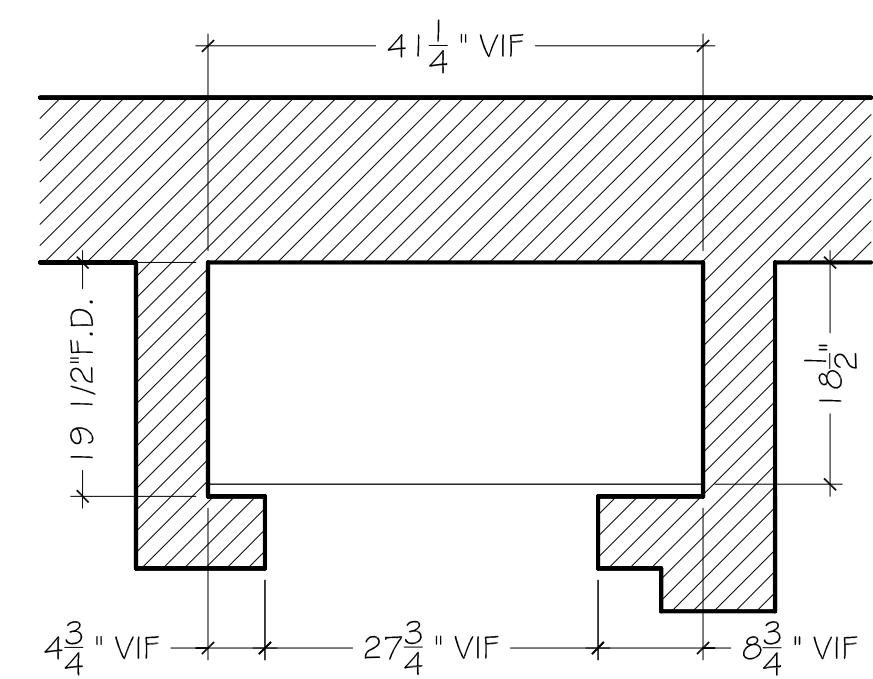
GLASS	
GL-1	BACK PAINTED GLASS
WOOD, VENEER, MELAMINE	
WD-1	QUARTER SAWN WHITE OAK W/ MEDIUM GREY STAIN, MULTI-DEPTH CERUSED FINISH
WD-2	3/4" BIRCH PLYWOOD W/ MATCHING EDGE BAND - SHOP PAINTED, COLOR T.B.D.
PF-1	PRE-FINISHED MAPLE PLYWOOD
SOLID SURFACE, STONE, METAL GLASS	
QZ-1	QUARTZ - WHITE
ST-1	SILVER ATHENS CREAM MARBLE
QZ-1	QUARTZ - WHITE
MT-1	1/2" X 2" STEEL W/ CHROME FINISH
PAINT	
PT-1	BENJAMIN MOORE #1613 SILENT NIGHT, HIGH GLOSS FINISH
PT-2	WHITE
HARDWARE	
H-1	HINGES: BLUM CLIP TOP 120° CONCEALED HINGE
H-2	DRAWER GLIDES: BLUM TANTUM PLUS #5681
H-3	TRASH PULL-OUT: CENTURY COMPONENTS, 50 QT. DOUBLE WASTE BIN
H-4	BLIND CORNER PULL-OUT: HAFELE #548.10.240 MAGIC CORNER II
H-5	1/2" X 1/2" X 1/2" ALUMINUM ANGLE
H-6	TOUCH LATCH: BLUM #956.1004 TIP - ON
H-7	STEEL OUTRIGGER
H-8	TALL METAL LEG - CHROME FINISH
H-9	SHORT METAL LEG - CHROME FINISH
H-10	COAT ROD: RICHELIEU #122208140, CHROME FINISH
H-11	COAT ROD END FLANGE: RICHELIEU #8764114140, CHROME FINISH
H-12	PULL OUT HAMPER
MISCELLANEOUS	
M-1	CONESTOGA WOOD SPECIALISTS - ALUMINUM FRAME, PROFILE #A010, BRUSHED STAINLESS STEEL FINISH, INSERT TYPE - BFG - SILVER MATTE W/ LIGHT GREY BACKER
M-2	RAVIVISIO CRYSTAL - SABBIA, HIGH GLOSS FINISH

NEILSON RESIDENCE

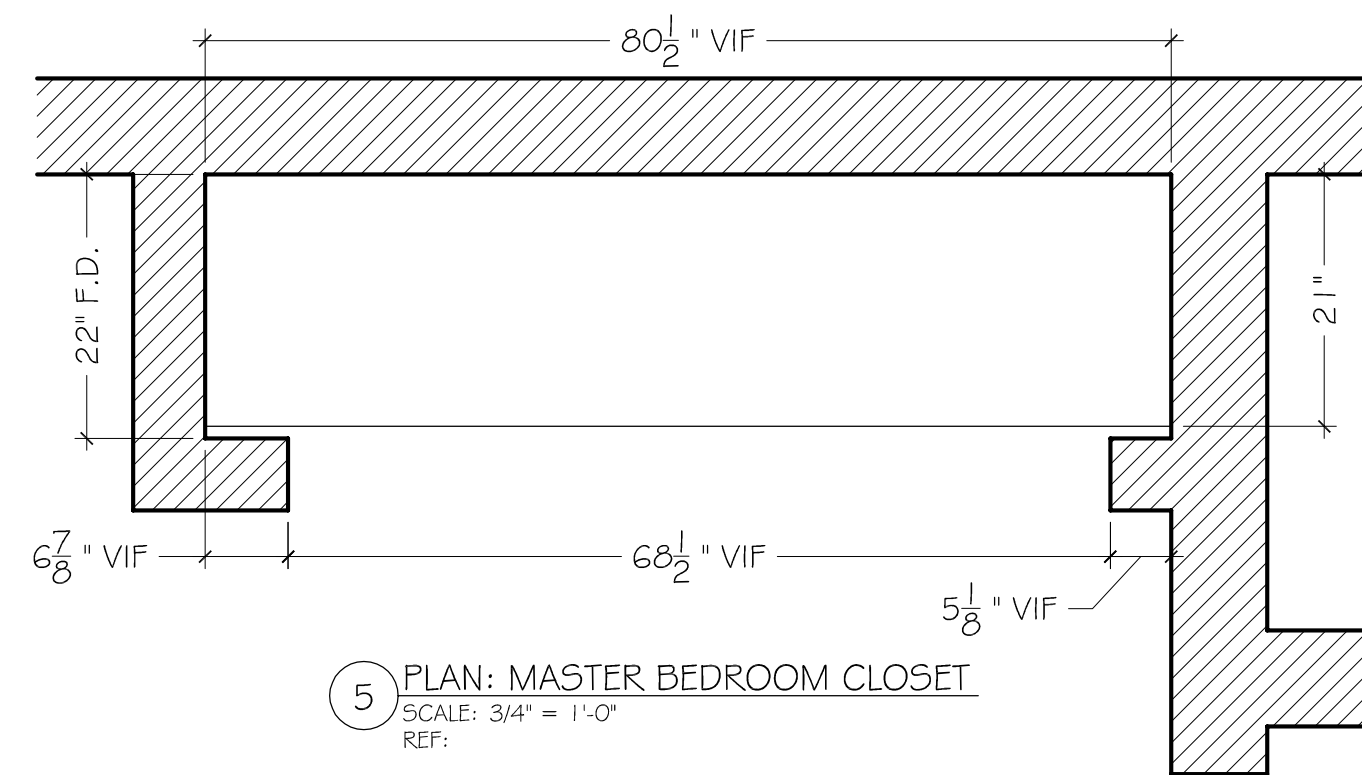
DRAWN BY:
 M.G.
 ISSUE DATE: 12-21-16
 REVISIONS: 2-1-17
 4-24-17

JOB NUMBER:
 XXXXXX
6.0

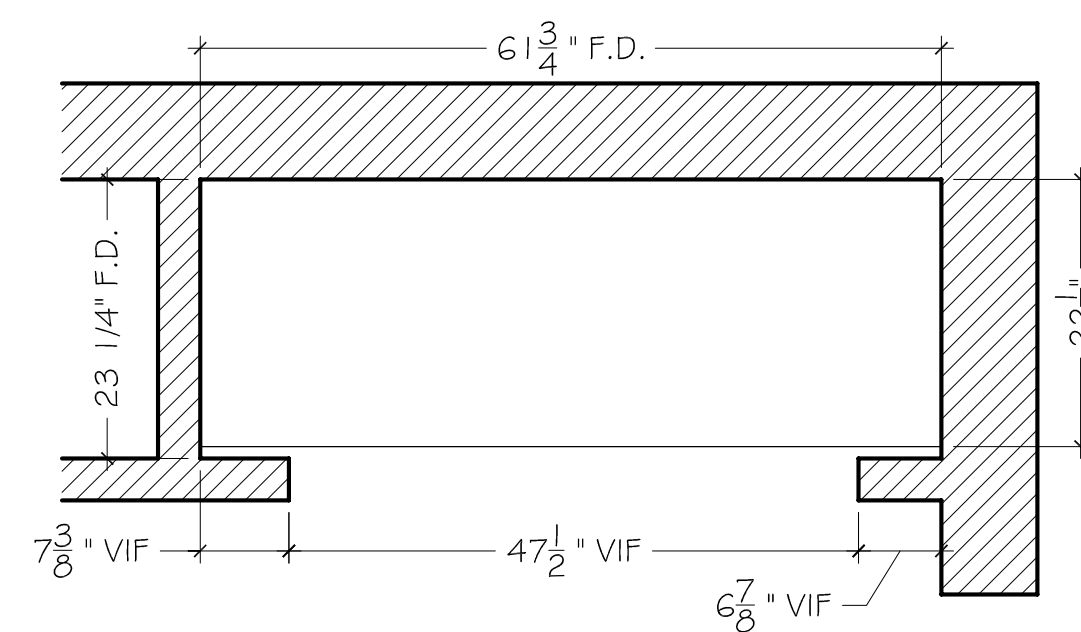
**FINISH NOTE:
ALL SURFACES TO BE WD-2**



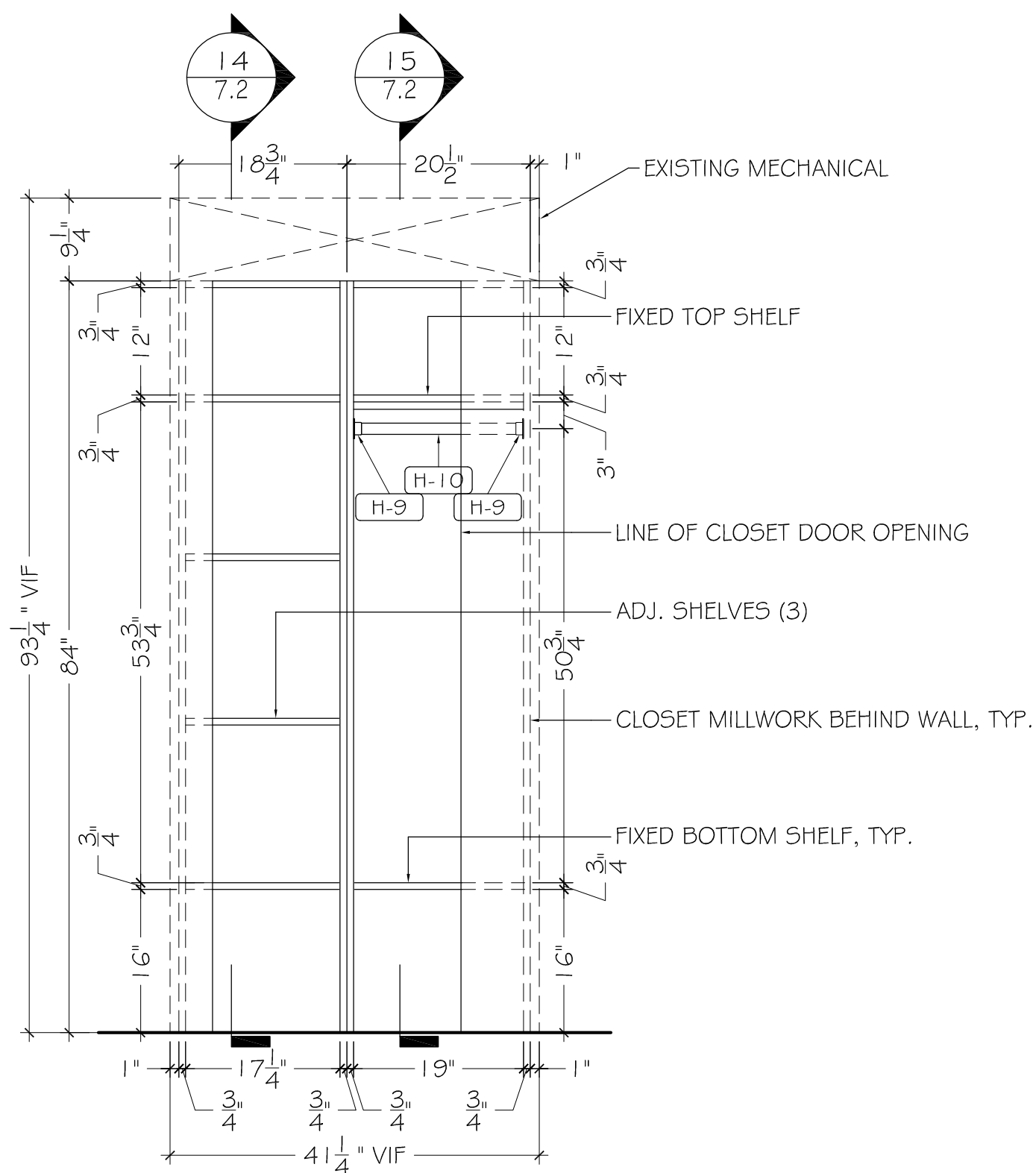
4 PLAN: BASEMENT GUEST BEDROOM CLOSET
SCALE: 3/4" = 1'-0"
REF:



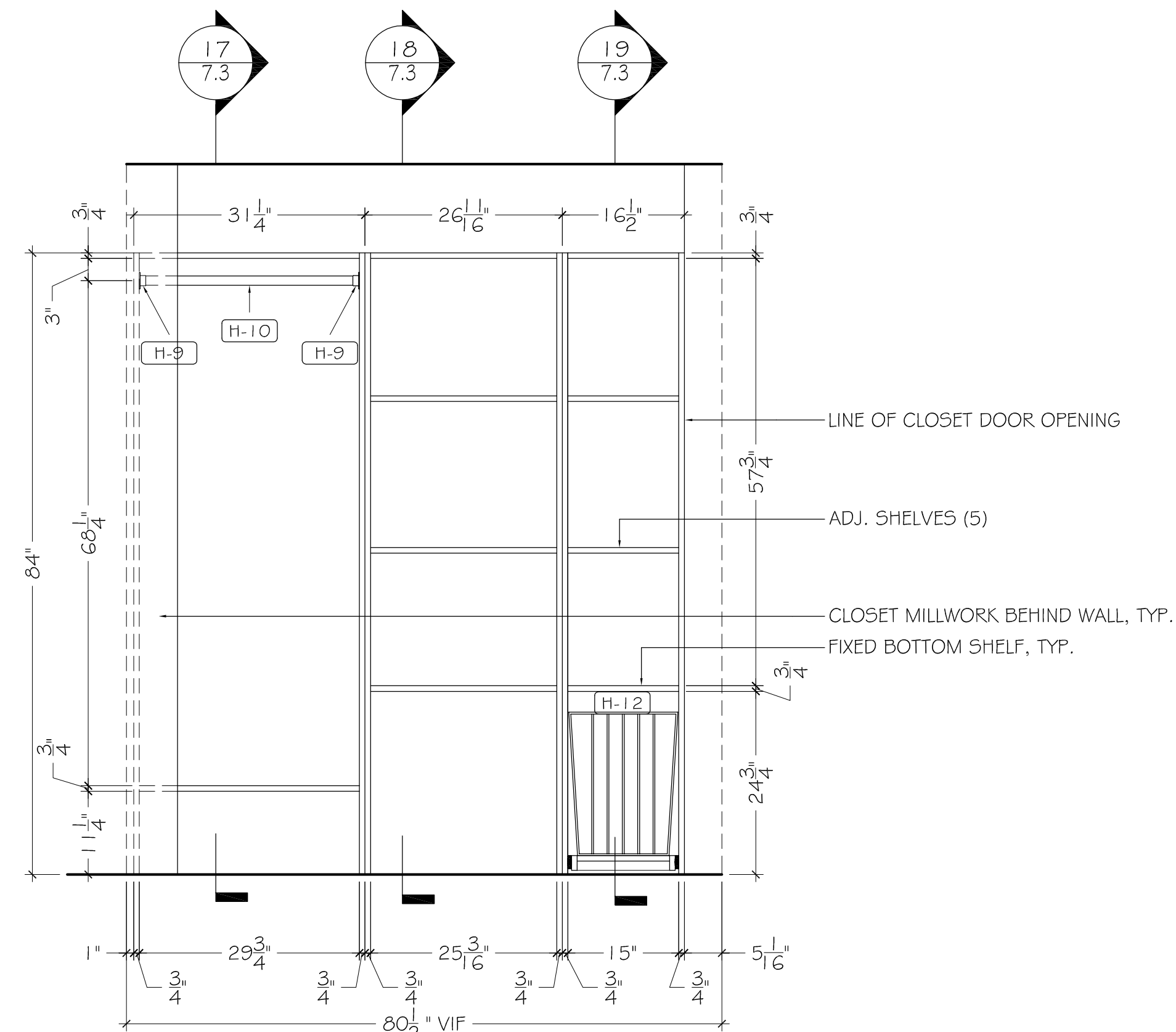
5 PLAN: MASTER BEDROOM CLOSET
SCALE: 3/4" = 1'-0"
REF:



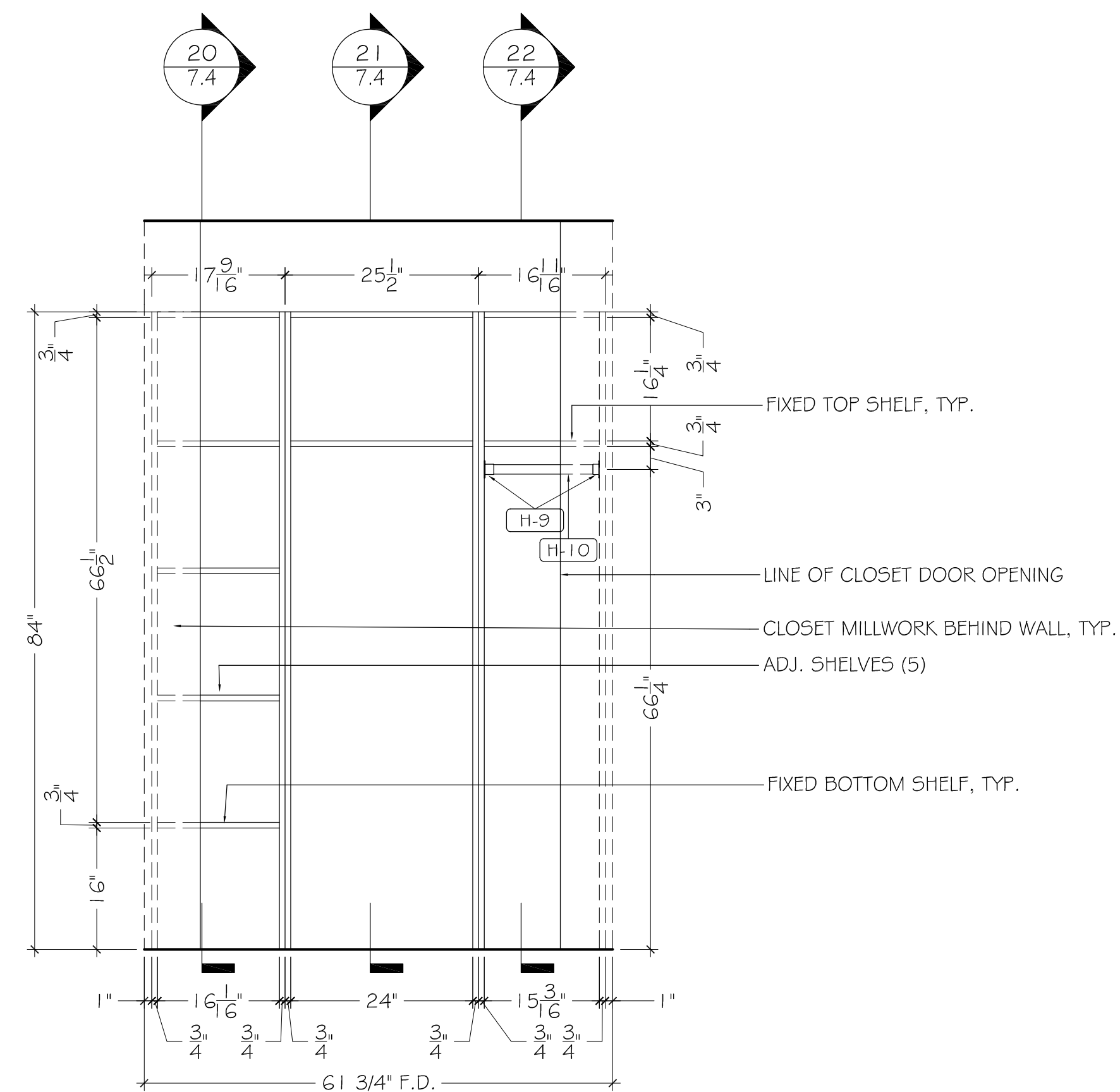
6 PLAN: LAUNDRY ROOM CLOSET
SCALE: 3/4" = 1'-0"
REF:



1 ELEVATION: BASEMENT GUEST BEDROOM CLOSET
SCALE: 3/4" = 1'-0"
REF:



2 ELEVATION: MASTER BEDROOM CLOSET
SCALE: 3/4" = 1'-0"
REF:



3 ELEVATION: LAUNDRY ROOM CLOSET
SCALE: 3/4" = 1'-0"
REF:

GLASS	
GL-1	BACK PAINTED GLASS
WOOD, VENEER, MELAMINE	
WD-1	QUARTER SAWN WHITE OAK W/ MEDIUM GREY STAIN, MULTI-DEPTH CERUSED FINISH
WD-2	3/4" BIRCH PLYWOOD W/ MATCHING EDGE BAND - SHOP PAINTED, COLOR T.B.D.
PF-1	PRE-FINISHED MAPLE PLYWOOD
SOLID SURFACE, STONE, METAL GLASS	
QZ-1	QUARTZ - WHITE
ST-1	SILVER ATHENS CREAM MARBLE
QZ-1	QUARTZ - WHITE
MT-1	1/2" X 2" STEEL W/ CHROME FINISH
PAINT	
PT-1	BENJAMIN MOORE #1613 SILENT NIGHT, HIGH GLOSS FINISH
PT-2	WHITE
HARDWARE	
H-1	HINGES: BLUM CLIP TOP 120° CONCEALED HINGE
H-2	DRAWER GLIDES: BLUM TANTUM PLUS #568H
H-3	TRASH PULL-OUT: CENTURY COMPONENTS, 50 QT. DOUBLE WASTE BIN
H-4	BLIND CORNER PULL-OUT: HAPELE #548.10.240 MAGIC CORNER II
H-5	1/2" X 1/2" X 1/2" ALUMINUM ANGLE
H-6	TOUCH LATCH: BLUM #956.1004 TIP - ON
H-7	STEEL OUTFRIGGER
H-8	TALL METAL LEG - CHROME FINISH
H-9	SHORT METAL LEG - CHROME FINISH
H-10	COAT ROD: RICHELIEU #122208140, CHROME FINISH
H-11	COAT ROD END FLANGE: RICHELIEU #8764114140, CHROME FINISH
H-12	PULL OUT HAMPER
MISCELLANEOUS	
CONESTOGA WOOD SPECIALISTS - ALUMINUM FRAME, PROFILE #AFO10, BRUSHED STAINLESS STEEL FINISH, INSERT TYPE - BFG - SILVER MATTE W/ LIGHT GREY BACKER	
M-1	
M-2	RAVIVISIO CRYSTAL - SABBIA, HIGH GLOSS FINISH

NEILSON RESIDENCE

DRAWN BY:
M.G.

ISSUE DATE: 12-21-16

REVISIONS: 4-24-17

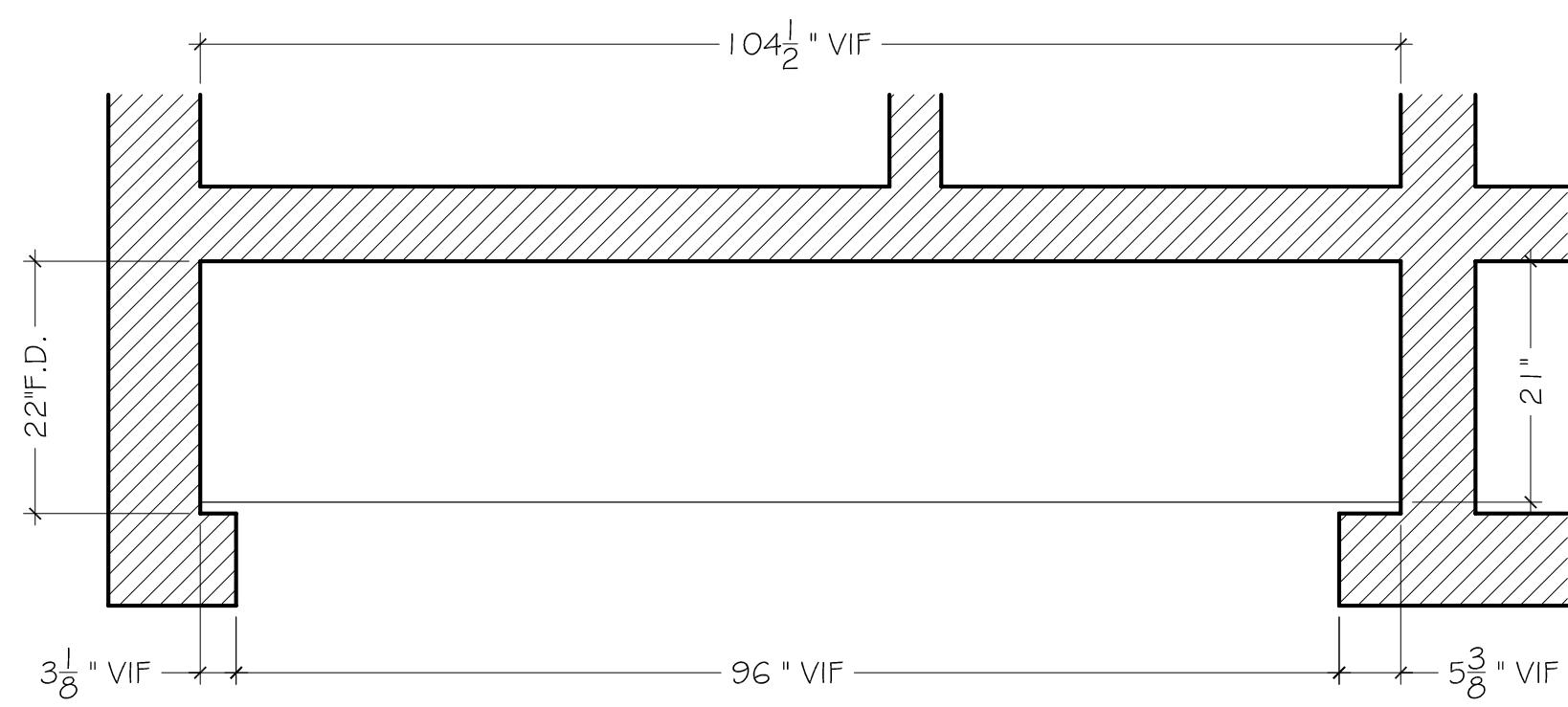
6-22-17

6-27-17

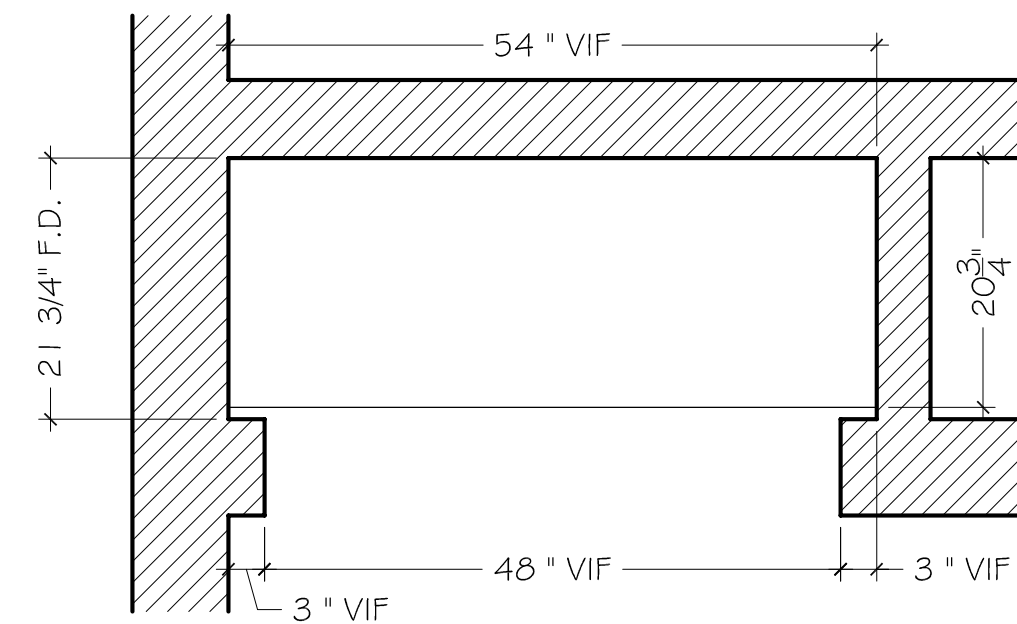
JOB NUMBER:
XXXXXX

7.0

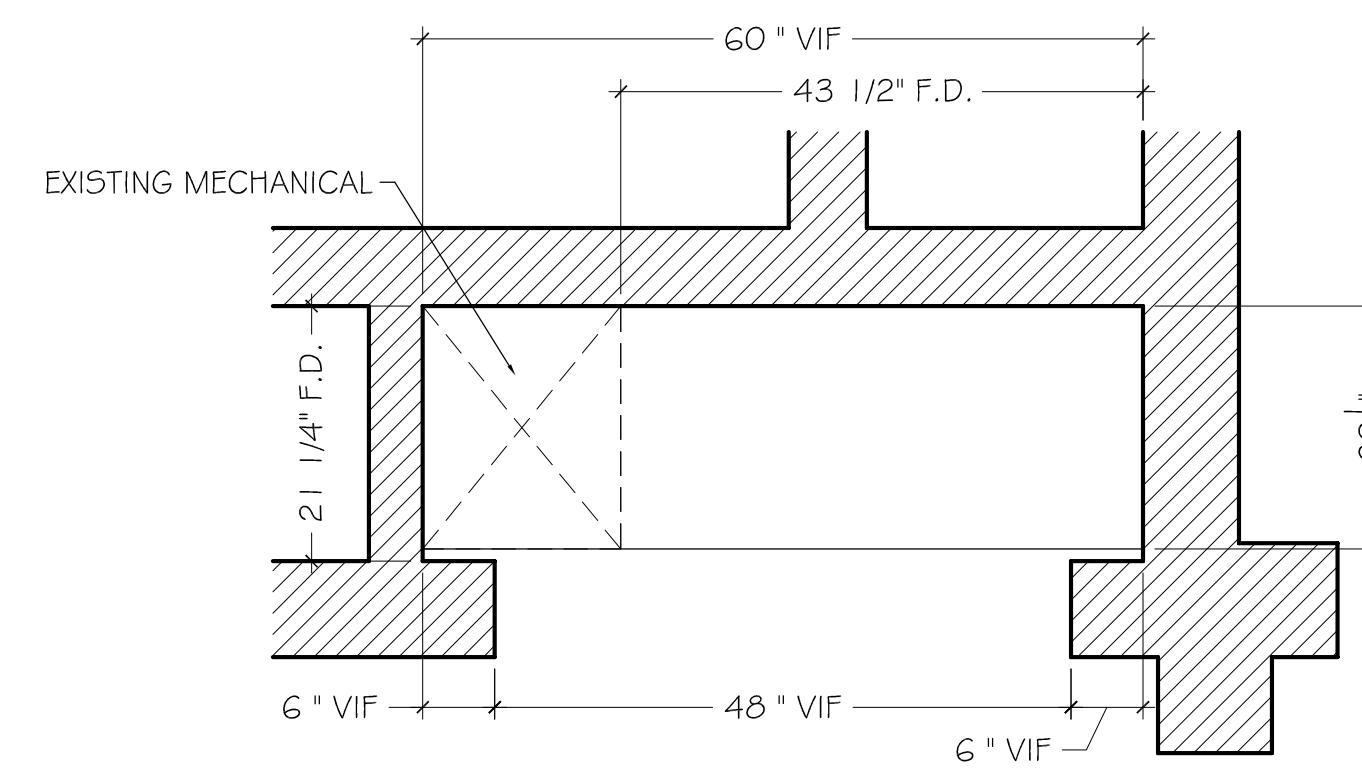
**FINISH NOTE:
ALL SURFACES TO BE WD-2**



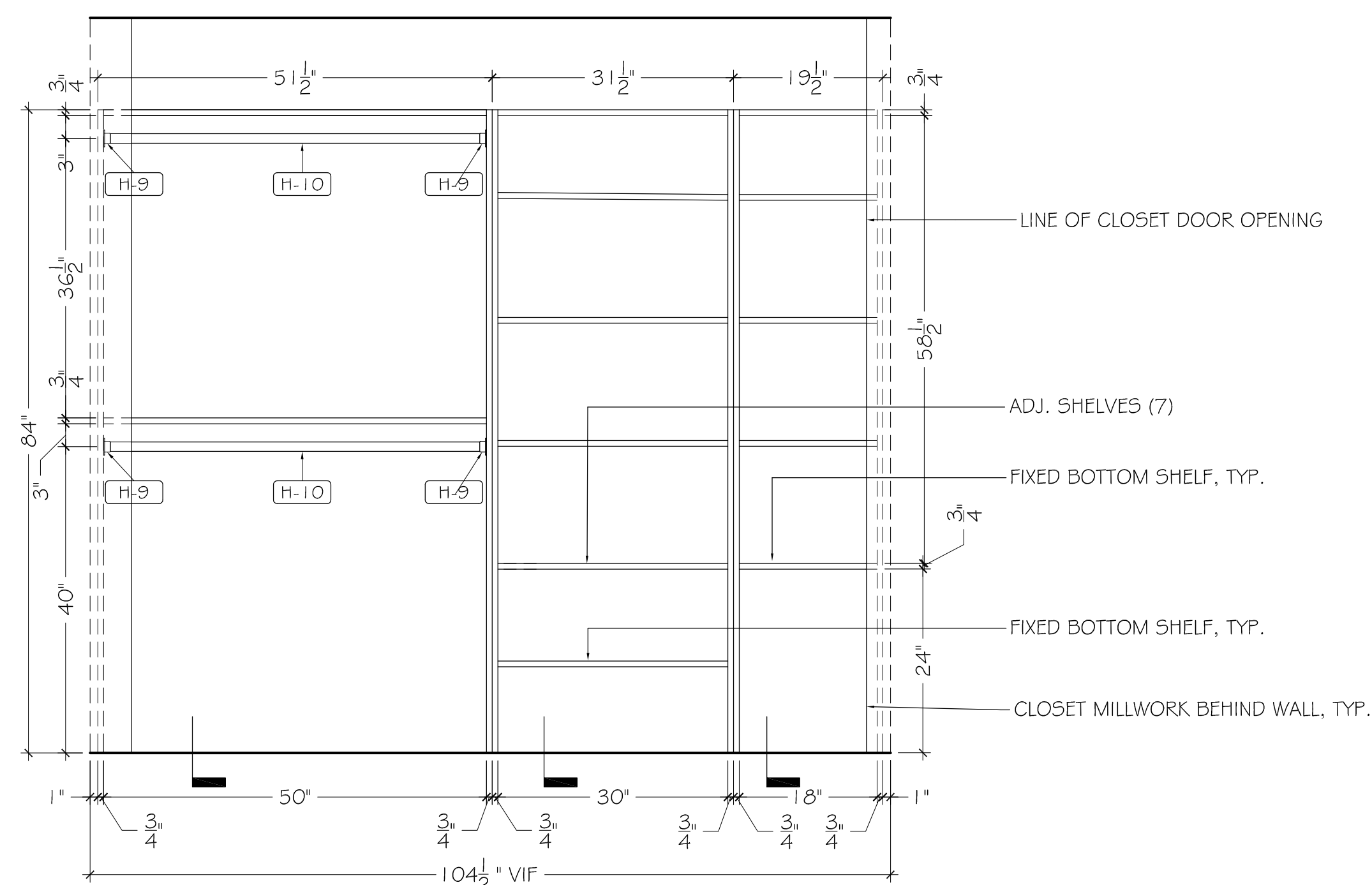
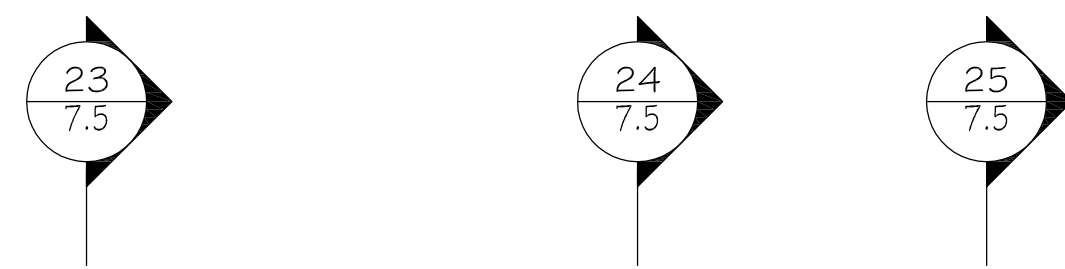
10 PLAN: LILY'S BEDROOM CLOSET
SCALE: 3/4" = 1'-0"
REF.



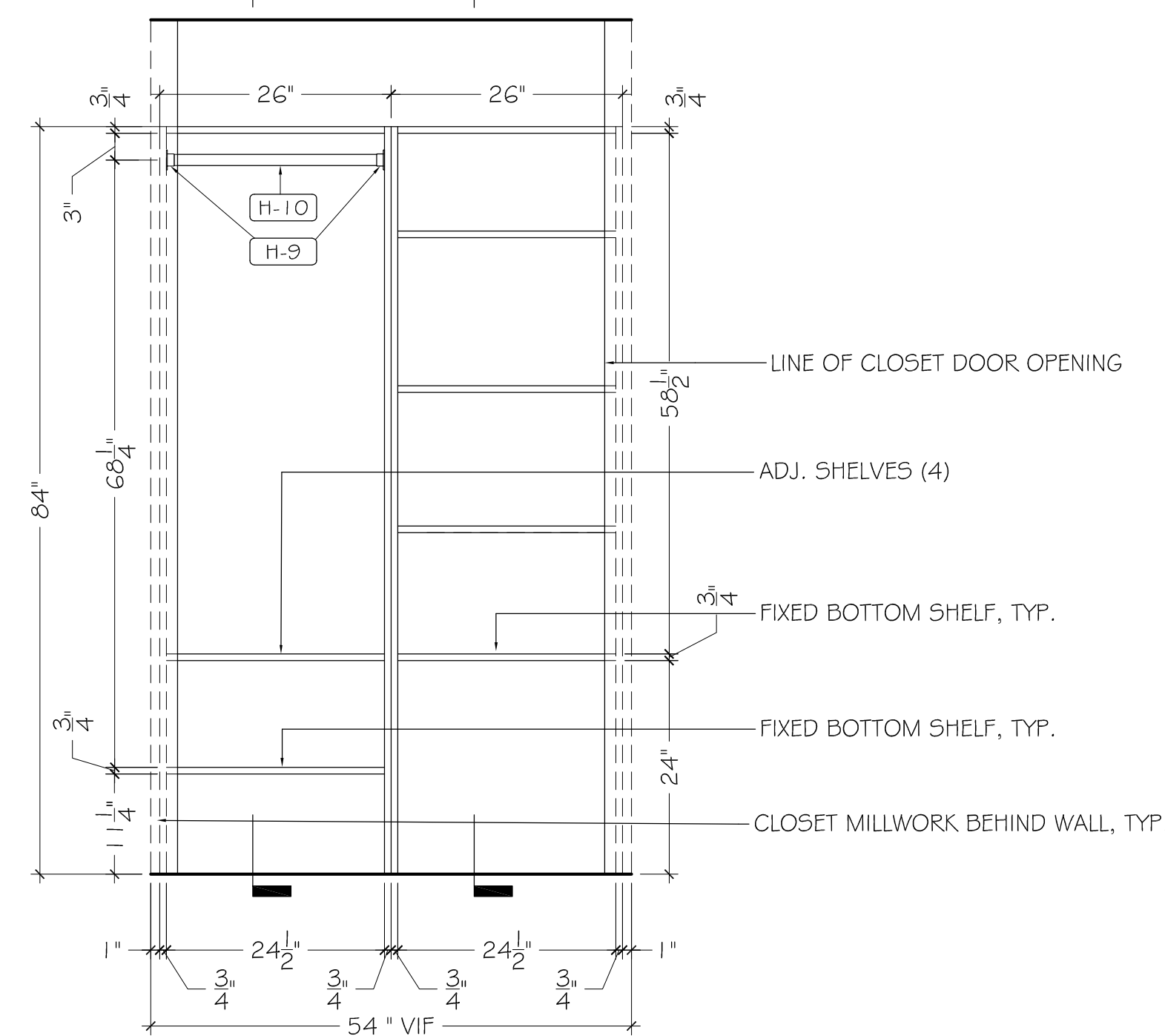
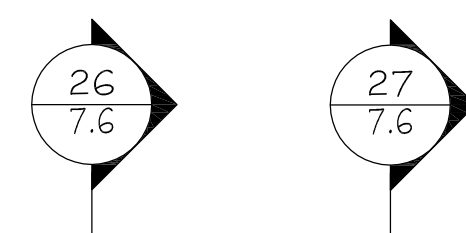
11 PLAN: RUBY'S BEDROOM CLOSET
SCALE: 3/4" = 1'-0"
REF.



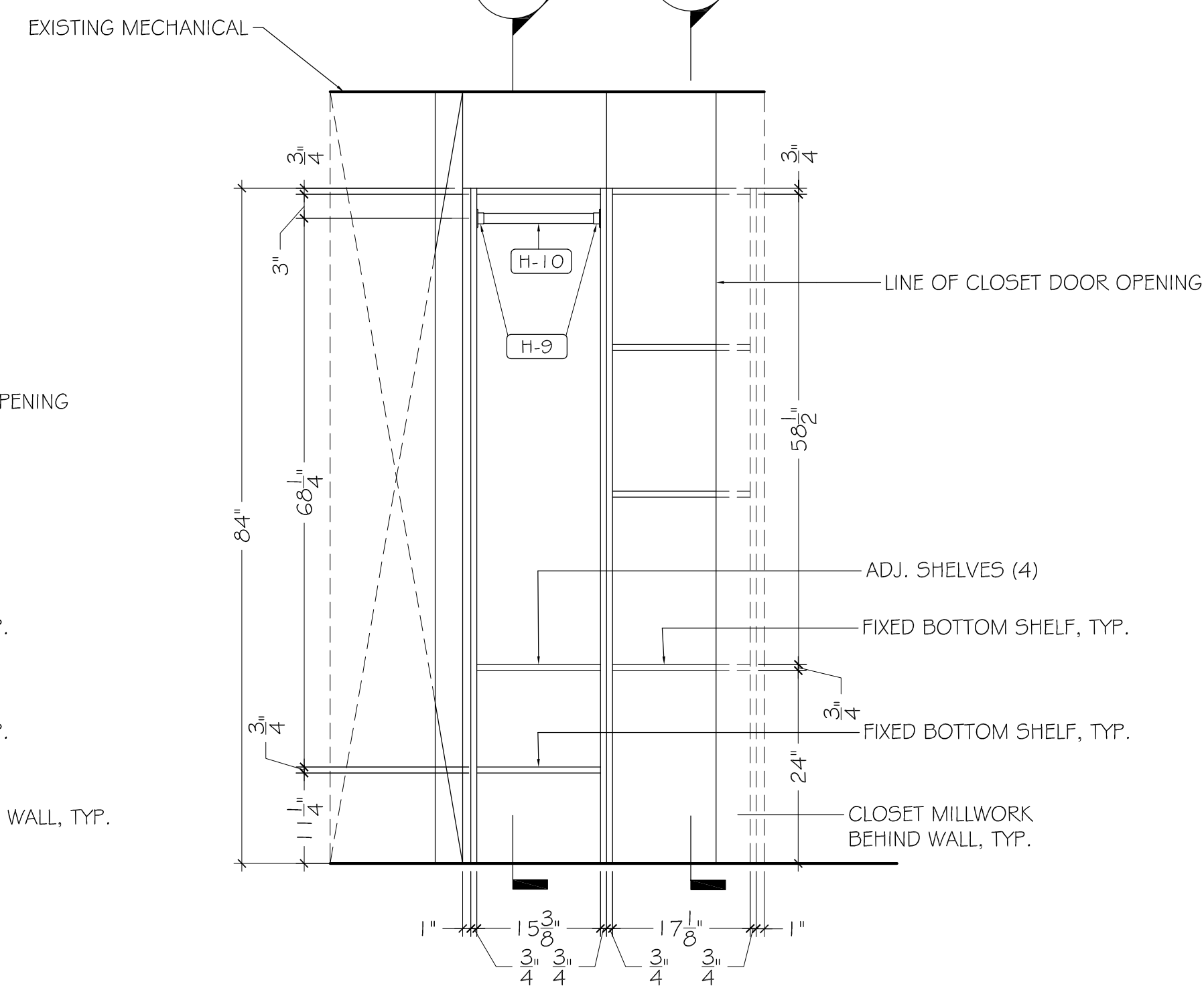
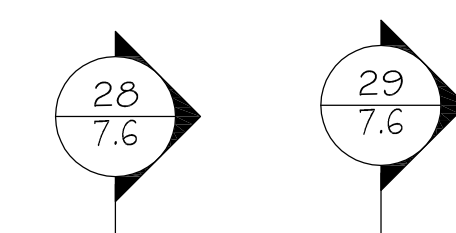
12 PLAN: CHARLOTTE'S BEDROOM CLOSET
SCALE: 3/4" = 1'-0"
REF.



7 ELEVATION: LILY'S BEDROOM CLOSET
SCALE: 3/4" = 1'-0"
REF.



8 ELEVATION: RUBY'S BEDROOM CLOSET
SCALE: 3/4" = 1'-0"
REF.



9 ELEVATION: CHARLOTTE'S BEDROOM CLOSET
SCALE: 3/4" = 1'-0"
REF.

GLASS	
GL-1	BACK PAINTED GLASS
WOOD, VENEER, MELAMINE	
WD-1	QUARTER SAWN WHITE OAK W/ MEDIUM GREY STAIN, MULTI-DEPTH CERUSED FINISH
WD-2	3/4" BIRCH PLYWOOD W/ MATCHING EDGE BAND - SHOP PAINTED, COLOR T.B.D.
PF-1	PRE-FINISHED MAPLE PLYWOOD
SOLID SURFACE, STONE, METAL GLASS	
QZ-1	QUARTZ - WHITE
ST-1	SILVER ATHENS CREAM MARBLE
QZ-1	QUARTZ - WHITE
MT-1	1/2" X 2" STEEL W/ CHROME FINISH
PAINT	
PT-1	BENJAMIN MOORE #1613 SILENT NIGHT, HIGH GLOSS FINISH
PT-2	WHITE
HARDWARE	
H-1	HINGES: BLUM CLIP TOP 120° CONCEALED HINGE
H-2	DRAWER SLIDES: BLUM TANTUM PLUS #568H
H-3	TRASH PULL-OUT: CENTURY COMPONENTS, 50 QT. DOUBLE WASTE BIN
H-4	BLIND CORNER PULL-OUT: HAPELE #54B, I.O.240 MAGIC CORNER II
H-5	1/2" X 1/4" X 1/4" ALUMINUM ANGLE
H-6	TOUCH LATCH: BLUM #956, I.O.04 TIP - ON
H-7	STEEL OUTRIGGER
H-8	TALL METAL LEG - CHROME FINISH
H-9	SHORT METAL LEG - CHROME FINISH
H-10	COAT ROD: RICHELIEU #122208140, CHROME FINISH
H-11	COAT ROD END FLANGE: RICHELIEU #8764114140, CHROME FINISH
H-12	PULL OUT HAMPER
MISCELLANEOUS	
CONESTOGA WOOD SPECIALISTS - ALUMINUM FRAME, PROFILE #AFO10, BRUSHED STAINLESS STEEL FINISH, INSERT TYPE - BFG - SILVER MATTE W/ LIGHT GREY BACKER	
M-1	
M-2	RAVIVISIO CRYSTAL - SABBIA, HIGH GLOSS FINISH

NEILSON RESIDENCE

DRAWN BY:
M.G.

ISSUE DATE: 12-21-16

REVISIONS: 4-24-17

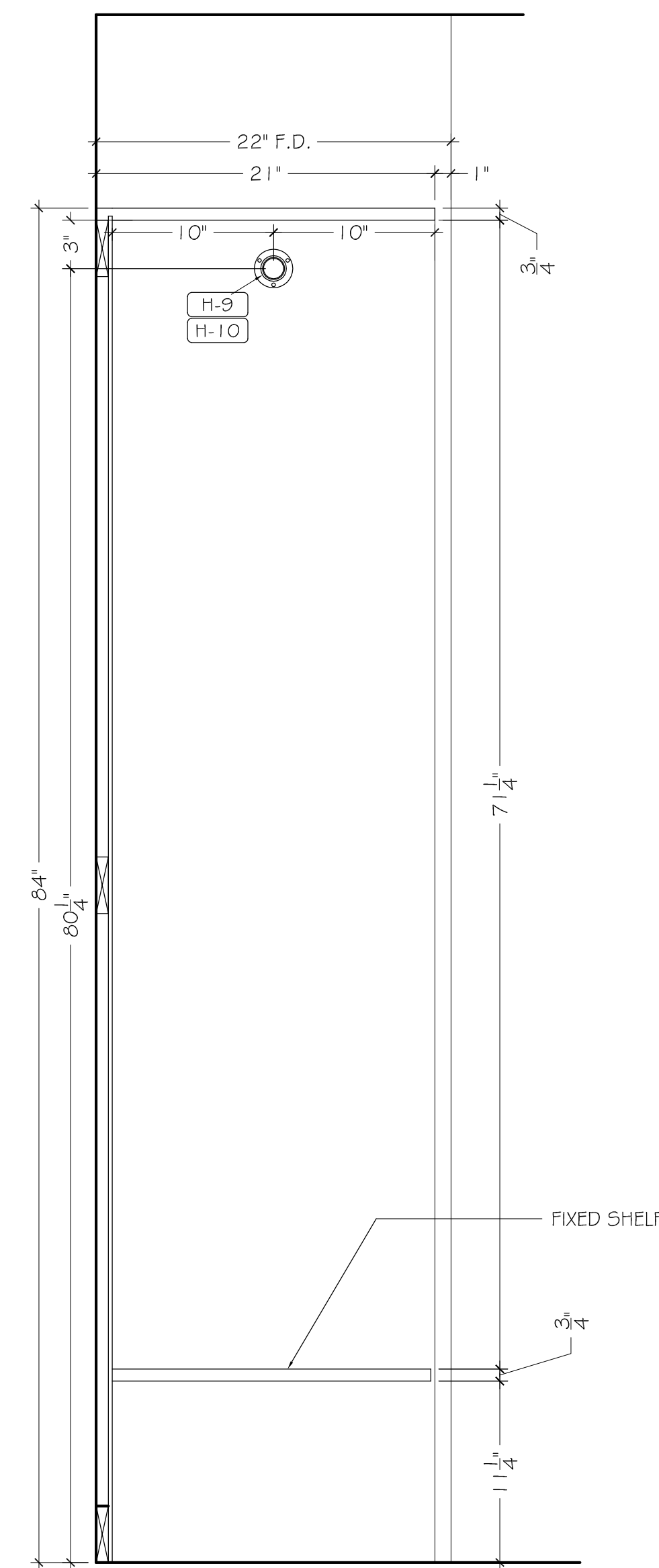
6-22-17

6-27-17

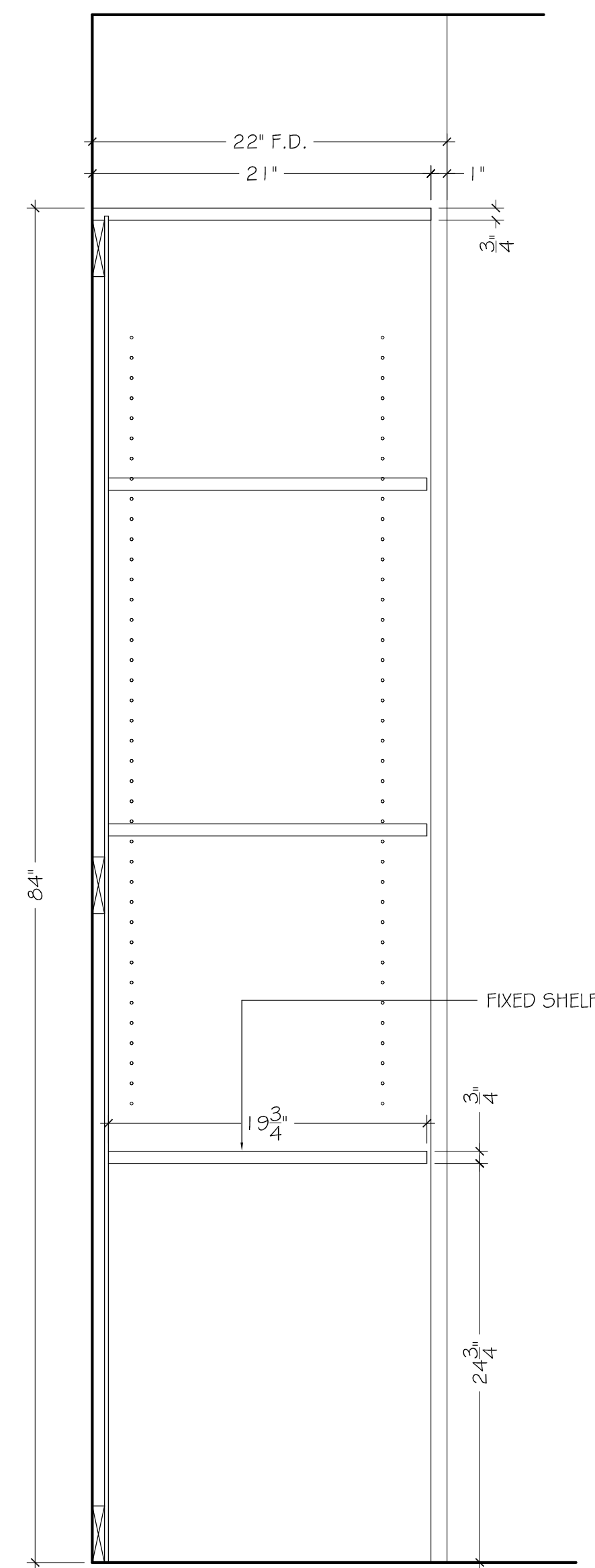
JOB NUMBER:
XXXXXX

7.1

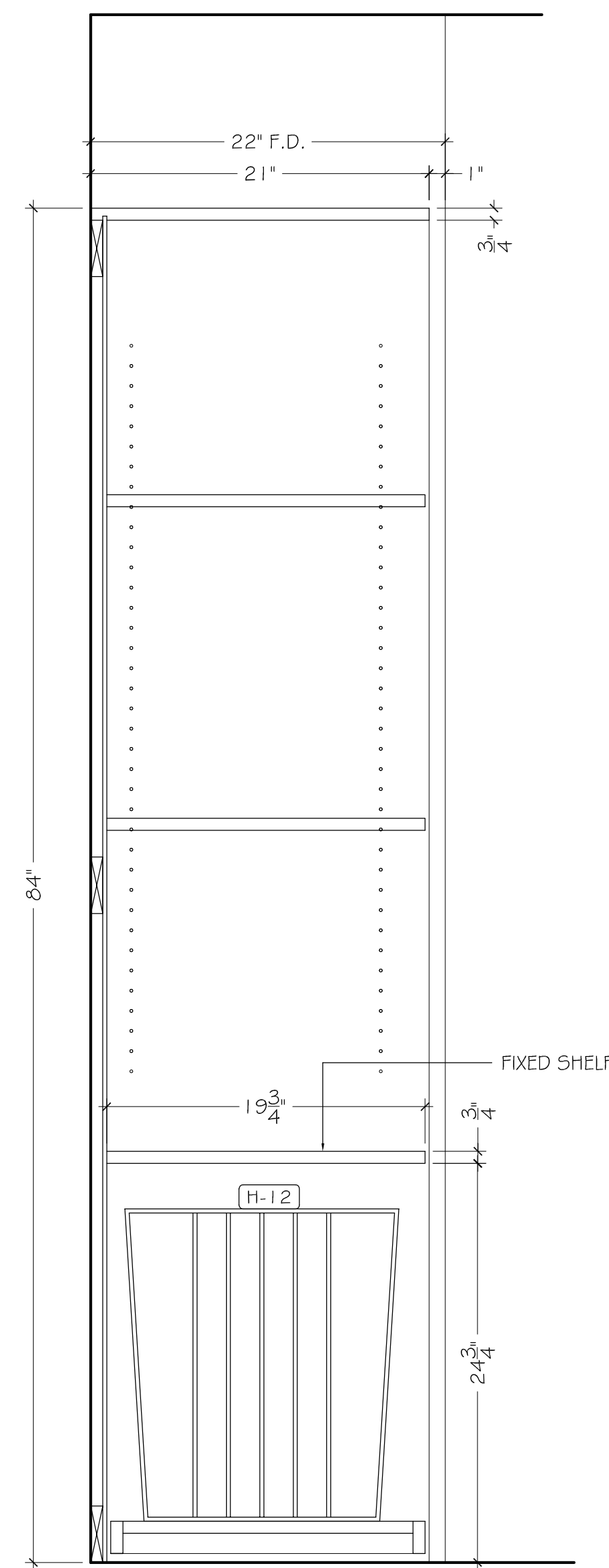
FINISH NOTE:
ALL SURFACES TO BE WD-2



17 VERTICAL SECTION
SCALE: 1-1/2" = 1'-0"
REF: MASTER BEDROOM CLOSET



18 VERTICAL SECTION
SCALE: 1-1/2" = 1'-0"
REF: MASTER BEDROOM CLOSET



19 VERTICAL SECTION
SCALE: 1-1/2" = 1'-0"
REF: MASTER BEDROOM CLOSET

GLASS	
GL-1	BACK PAINTED GLASS
WOOD, VENEER, MELAMINE	
WD-1	QUARTER SAWN WHITE OAK W/ MEDIUM GREY STAIN, MULTI-DEPTH CERUSED FINISH
WD-2	3/4" BIRCH PLYWOOD W/ MATCHING EDGE BAND - SHOP PAINTED, COLOR T.B.D.
PF-1	PRE-FINISHED MAPLE PLYWOOD
SOLID SURFACE, STONE, METAL GLASS	
QZ-1	QUARTZ - WHITE
ST-1	SILVER ATHENS CREAM MARBLE
QZ-1	QUARTZ - WHITE
MT-1	1/2" X 2" STEEL W/ CHROME FINISH
PAINT	
PT-1	BENJAMIN MOORE #1613 SILENT NIGHT, HIGH GLOSS FINISH
PT-2	WHITE
HARDWARE	
H-1	HINGES: BLUM CLIP TOP 120° CONCEALED HINGE
H-2	DRAWER SLIDES: BLUM TANTUM PLUS #568H
H-3	TRASH PULL-OUT: CENTURY COMPONENTS, 50 QT. DOUBLE WASTE BIN
H-4	BLIND CORNER PULL-OUT: HAFELE #548.10.240 MAGIC CORNER II
H-5	1/2" X 1/2" X 1/2" ALUMINUM ANGLE
H-6	TOUCH LATCH: BLUM #956.1004 TIP - ON
H-7	STEEL OUTRIGGER
H-8	TALL METAL LEG - CHROME FINISH
H-9	SHORT METAL LEG - CHROME FINISH
H-10	COAT ROD: RICHELIEU #122208140, CHROME FINISH
H-11	COAT ROD END FLANGE: RICHELIEU #8764114140, CHROME FINISH
H-12	PULL OUT HAMPER
MISCELLANEOUS	
M-1	CONESTOGA WOOD SPECIALISTS - ALUMINUM FRAME, PROFILE #AFO10, BRUSHED STAINLESS STEEL FINISH, INSERT TYPE - BFG - SILVER MATTE W/ LIGHT GREY BACKER
M-2	RAVIVISIO CRYSTAL - SABBIA, HIGH GLOSS FINISH

NEILSON RESIDENCE

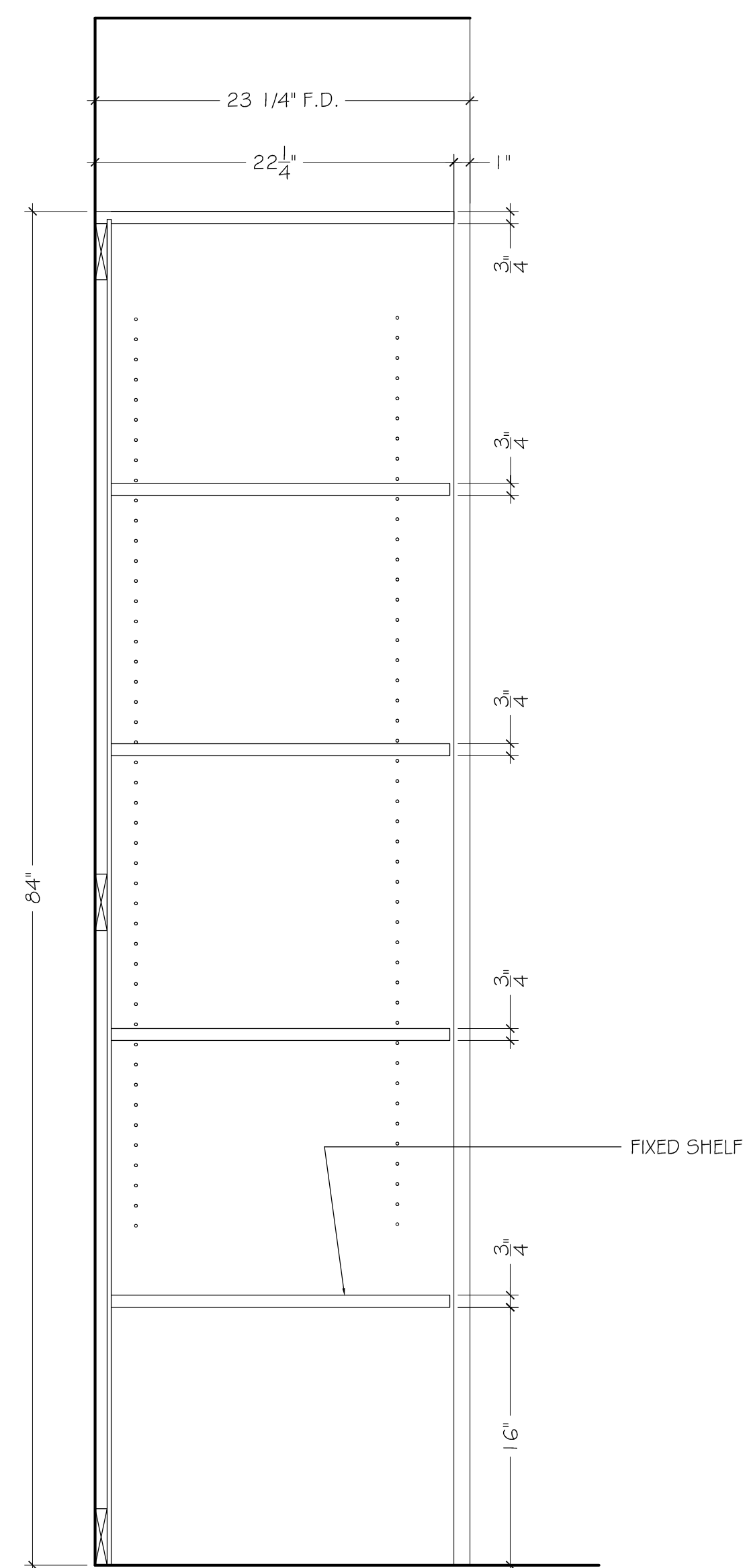
DRAWN BY:
M.G.

ISSUE DATE: 12-21-16
REVISIONS: 4-24-17
6-22-17
6-27-17

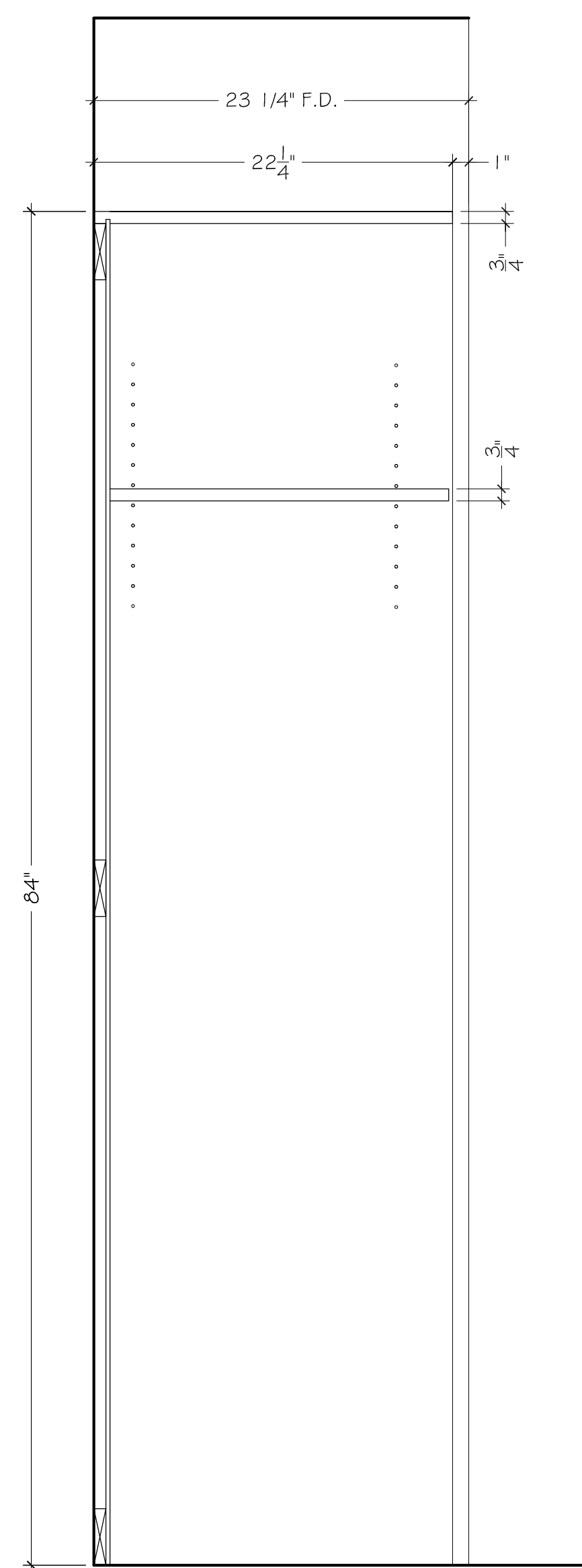
JOB NUMBER:
XXXXXX

7.3

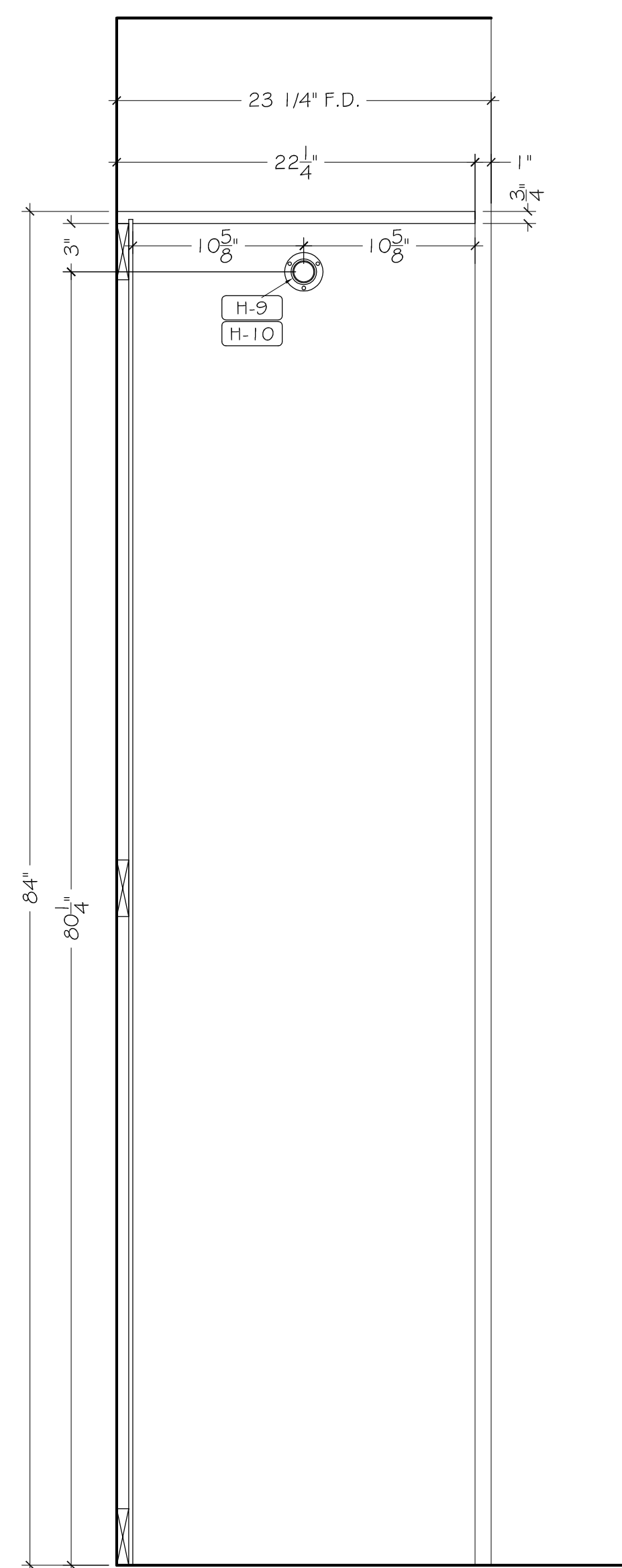
**FINISH NOTE:
ALL SURFACES TO BE WD-2**



20 VERTICAL SECTION
SCALE: 1-1/2" = 1'-0"
REF: LAUNDRY CLOSET



21 VERTICAL SECTION
SCALE: 1-1/2" = 1'-0"
REF: LAUNDRY CLOSET



22 VERTICAL SECTION
SCALE: 1-1/2" = 1'-0"
REF: LAUNDRY CLOSET

GLASS	
GL-1	BACK PAINTED GLASS
WOOD, VENEER, MELAMINE	
WD-1	QUARTER SAWN WHITE OAK W/ MEDIUM GREY STAIN, MULTI-DEPTH CERUSED FINISH
WD-2	3/4" BIRCH PLYWOOD W/ MATCHING EDGE BAND - SHOP PAINTED, COLOR T.B.D.
PF-1	PRE-FINISHED MAPLE PLYWOOD
SOLID SURFACE, STONE, METAL GLASS	
QZ-1	QUARTZ - WHITE
ST-1	SILVER ATHENS CREAM MARBLE
QZ-1	QUARTZ - WHITE
MT-1	1/2" X 2" STEEL W/ CHROME FINISH
PAINT	
PT-1	BENJAMIN MOORE #1613 SILENT NIGHT, HIGH GLOSS FINISH
PT-2	WHITE
HARDWARE	
H-1	HINGES: BLUM CLIP TOP 120° CONCEALED HINGE
H-2	DRAWER SLIDES: BLUM TANTUM PLUS #568H
H-3	TRASH PULL-OUT: CENTURY COMPONENTS, 50 QT. DOUBLE WASTE BIN
H-4	BLIND CORNER PULL-OUT: HAFELE #54B.10.240 MAGIC CORNER II
H-5	1/2" X 1/2" X 1/2" ALUMINUM ANGLE
H-6	TOUCH LATCH: BLUM #956.1004 TIP - ON
H-7	STEEL OUTRIGGER
H-8	TALL METAL LEG - CHROME FINISH
H-9	SHORT METAL LEG - CHROME FINISH
H-10	COAT ROD: RICHELIEU #122208140, CHROME FINISH
H-11	COAT ROD END FLANGE: RICHELIEU #8764114140, CHROME FINISH
H-12	PULL OUT HAMPER
MISCELLANEOUS	
CONESTOGA WOOD SPECIALISTS - ALUMINUM FRAME, PROFILE #AFO10, BRUSHED STAINLESS STEEL FINISH, INSERT TYPE - BFG - SILVER MATTE W/ LIGHT GREY BACKER	
M-1	
M-2	RAVIVISIO CRYSTAL - SABBIA, HIGH GLOSS FINISH

NEILSON RESIDENCE

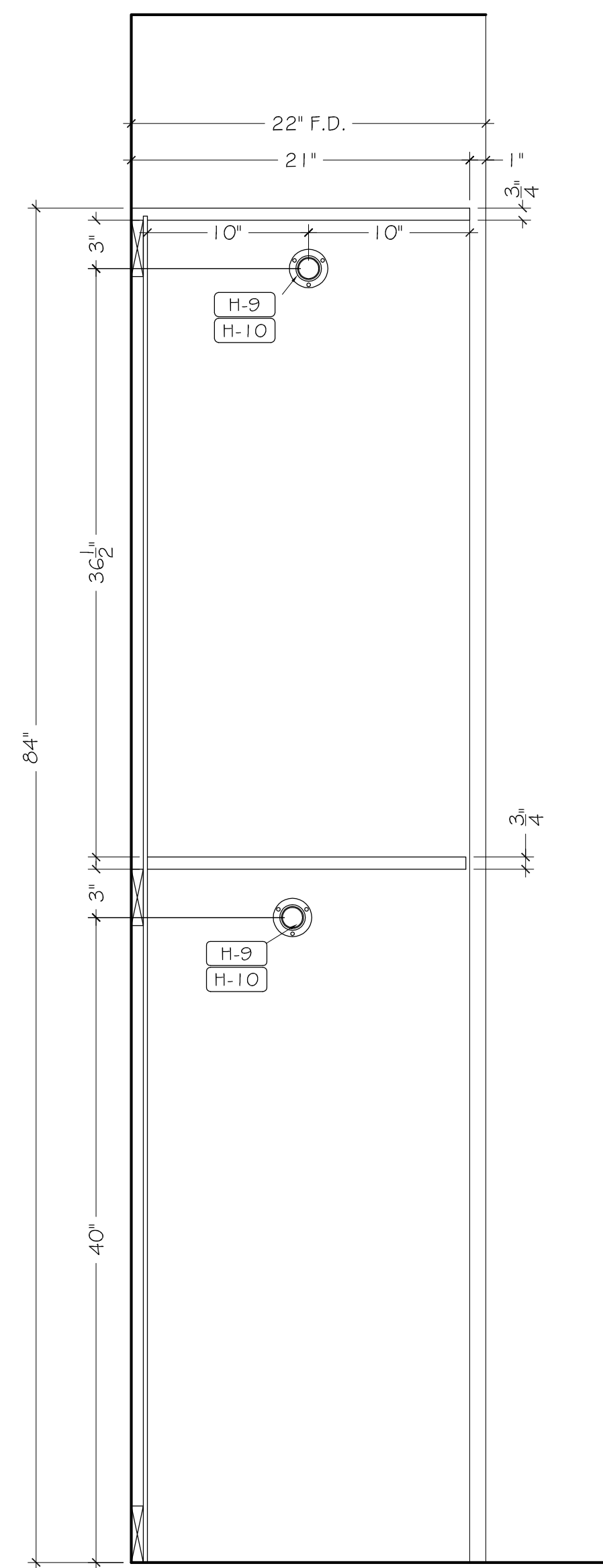
DRAWN BY:
M.G.

ISSUE DATE: 12-21-16
REVISIONS: 4-24-17
6-22-17
6-27-17

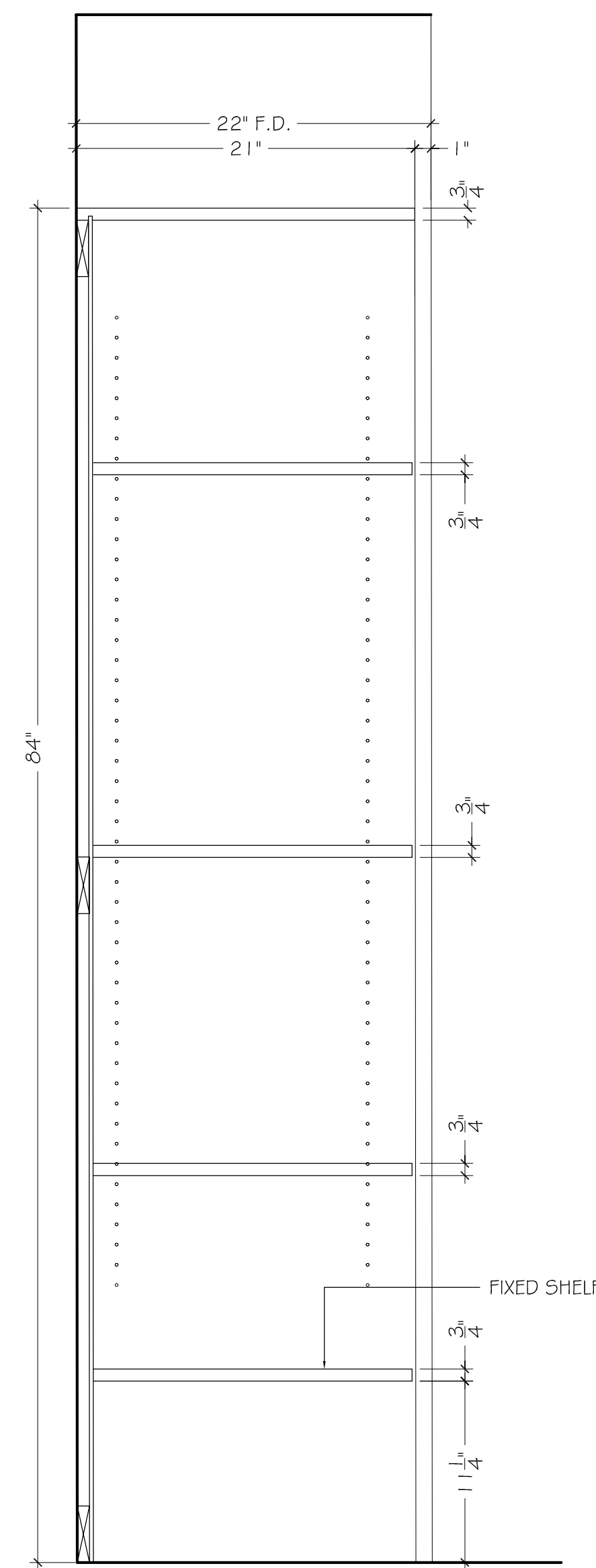
JOB NUMBER:
XXXXXX

7.4

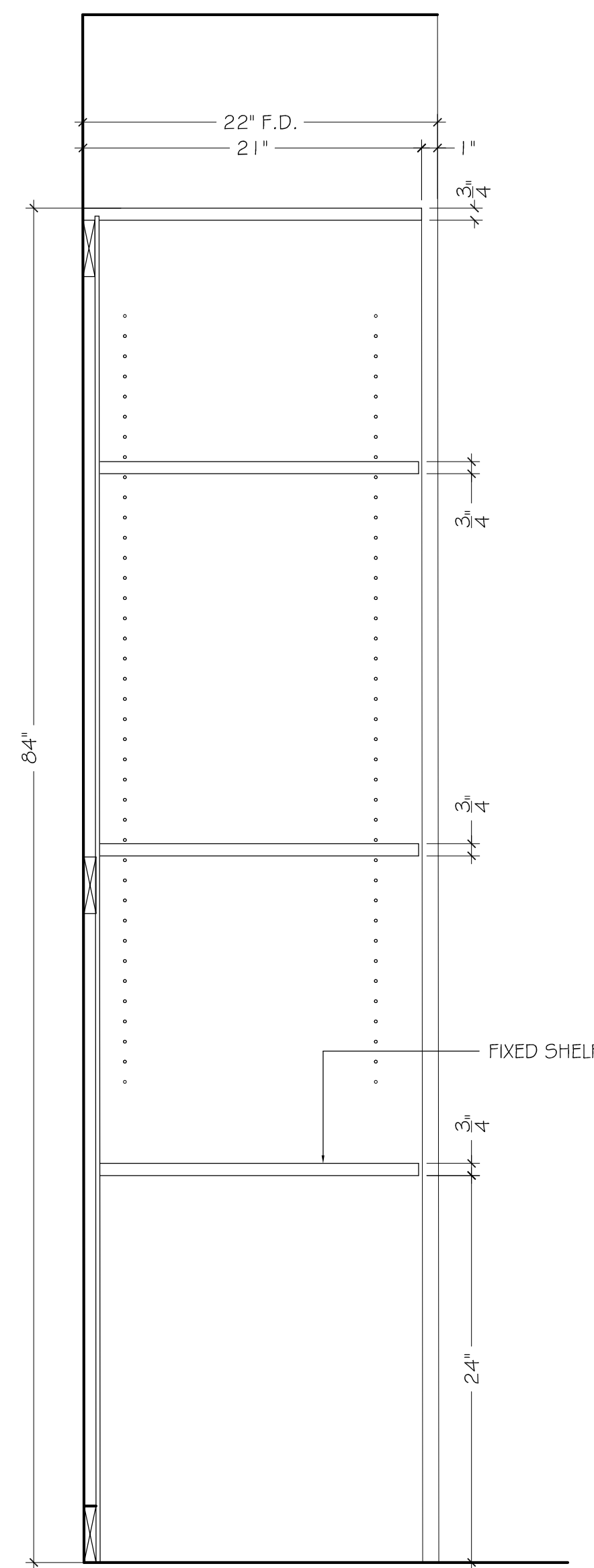
**FINISH NOTE:
ALL SURFACES TO BE WD-2**



23 VERTICAL SECTION
SCALE: 1-1/2" = 1'-0"
REF: LILY'S BEDROOM CLOSET



24 VERTICAL SECTION
SCALE: 1-1/2" = 1'-0"
REF: LILY'S BEDROOM CLOSET



25 VERTICAL SECTION
SCALE: 1-1/2" = 1'-0"
REF: LILY'S BEDROOM CLOSET

GLASS	
GL-1	BACK PAINTED GLASS
WOOD, VENEER, MELAMINE	
WD-1	QUARTER SAWN WHITE OAK W/ MEDIUM GREY STAIN, MULTI-DEPTH CERUSED FINISH
WD-2	3/4" BIRCH PLYWOOD W/ MATCHING EDGE BAND - SHOP PAINTED, COLOR T.B.D.
PF-1	PRE-FINISHED MAPLE PLYWOOD
SOLID SURFACE, STONE, METAL GLASS	
QZ-1	QUARTZ - WHITE
ST-1	SILVER ATHENS CREAM MARBLE
QZ-1	QUARTZ - WHITE
MT-1	1/2" X 2" STEEL W/ CHROME FINISH
PAINT	
PT-1	BENJAMIN MOORE #1613 SILENT NIGHT, HIGH GLOSS FINISH
PT-2	WHITE
HARDWARE	
H-1	HINGES: BLUM CLIP TOP 120° CONCEALED HINGE
H-2	DRAWER SLIDES: BLUM TANTUM PLUS #568H
H-3	TRASH PULL-OUT: CENTURY COMPONENTS, 50 QT. DOUBLE WASTE BIN
H-4	BLIND CORNER PULL-OUT: HAPELE #54B, I.O.240 MAGIC CORNER II
H-5	1/2" X 1/2" X 1/2" ALUMINUM ANGLE
H-6	TOUCH LATCH: BLUM #956, 1004 TIP - ON
H-7	STEEL OUTRIGGER
H-8	TALL METAL LEG - CHROME FINISH
H-9	SHORT METAL LEG - CHROME FINISH
H-10	COAT ROD: RICHELIEU #122208140, CHROME FINISH
H-11	COAT ROD END FLANGE: RICHELIEU #8764114140, CHROME FINISH
H-12	PULL OUT HAMPER
MISCELLANEOUS	
CONESTOGA WOOD SPECIALISTS - ALUMINUM FRAME, PROFILE #AFO10, BRUSHED STAINLESS STEEL FINISH, INSERT TYPE - BFG - SILVER MATTE W/ LIGHT GREY BACKER	
M-1	
M-2	RAVIVISIO CRYSTAL - SABBIA, HIGH GLOSS FINISH

NEILSON RESIDENCE

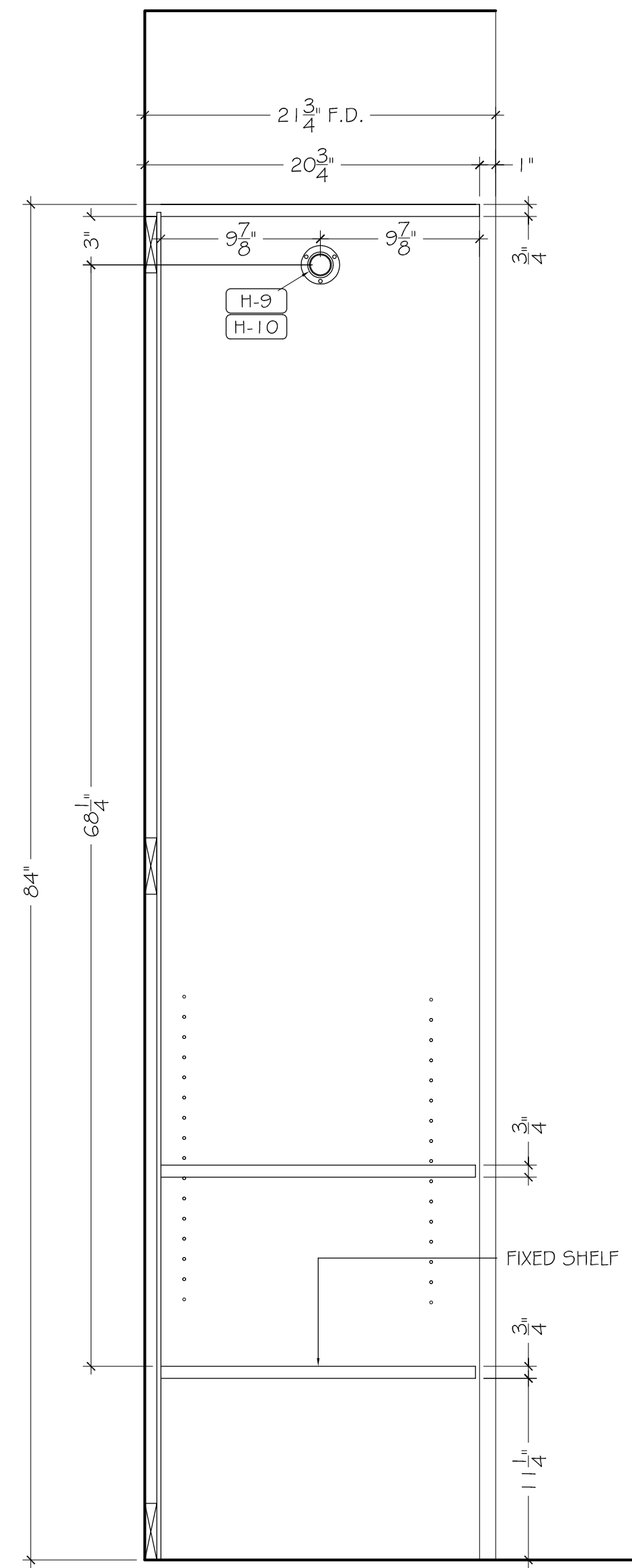
DRAWN BY:
M.G.

ISSUE DATE: 12-21-16
REVISIONS: 4-24-17
6-22-17
6-27-17

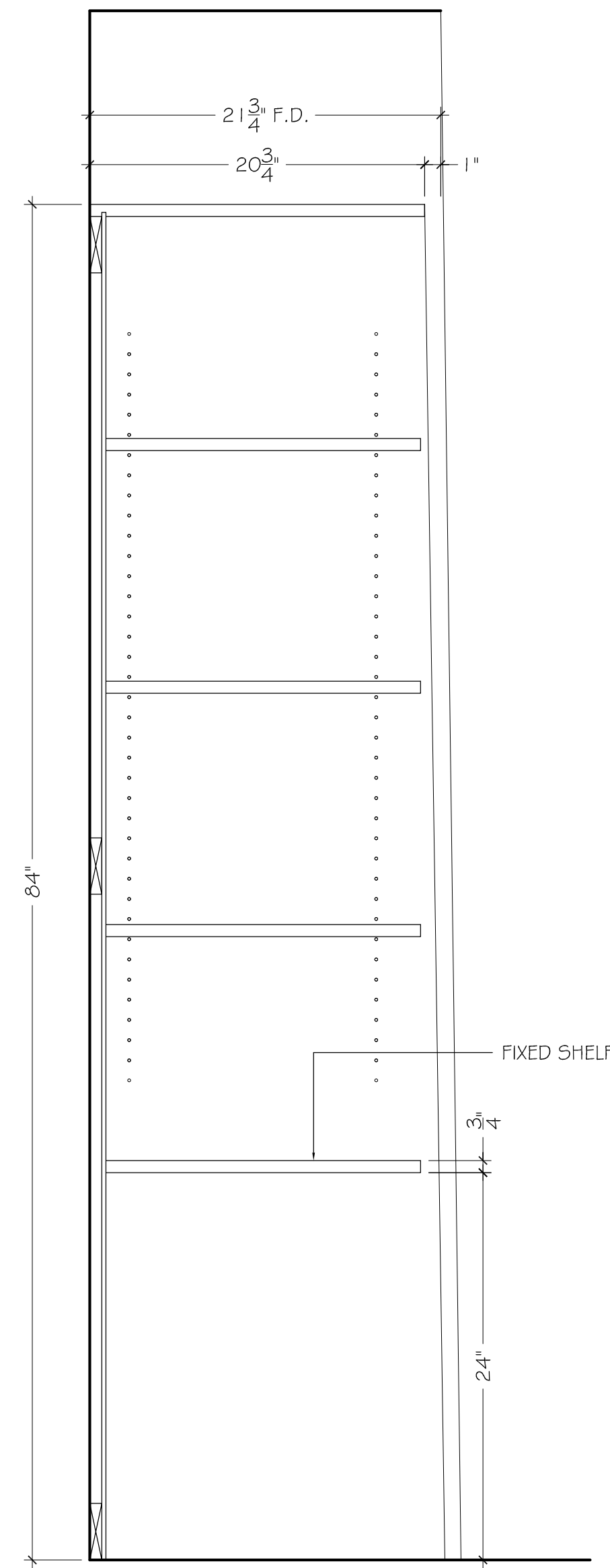
JOB NUMBER:
XXXXXX

7.5

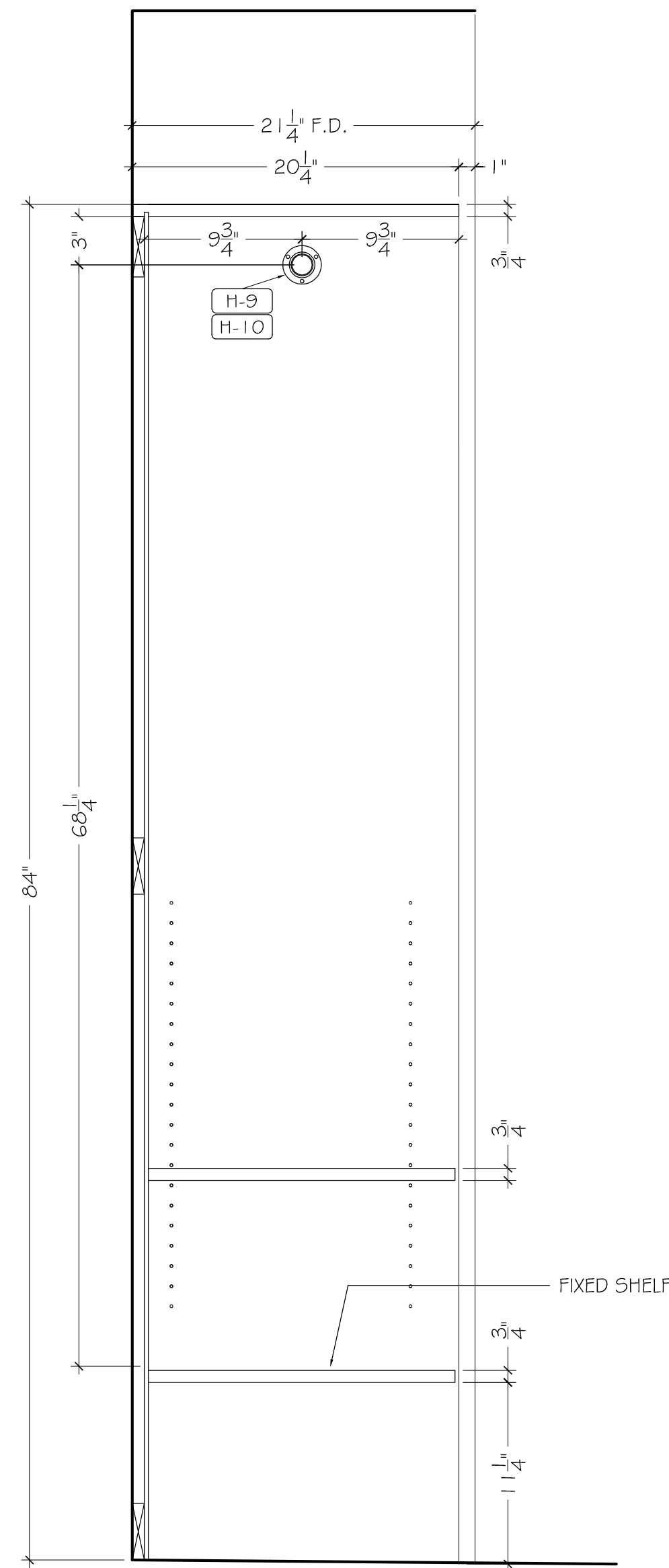
**FINISH NOTE:
ALL SURFACES TO BE WD-2**



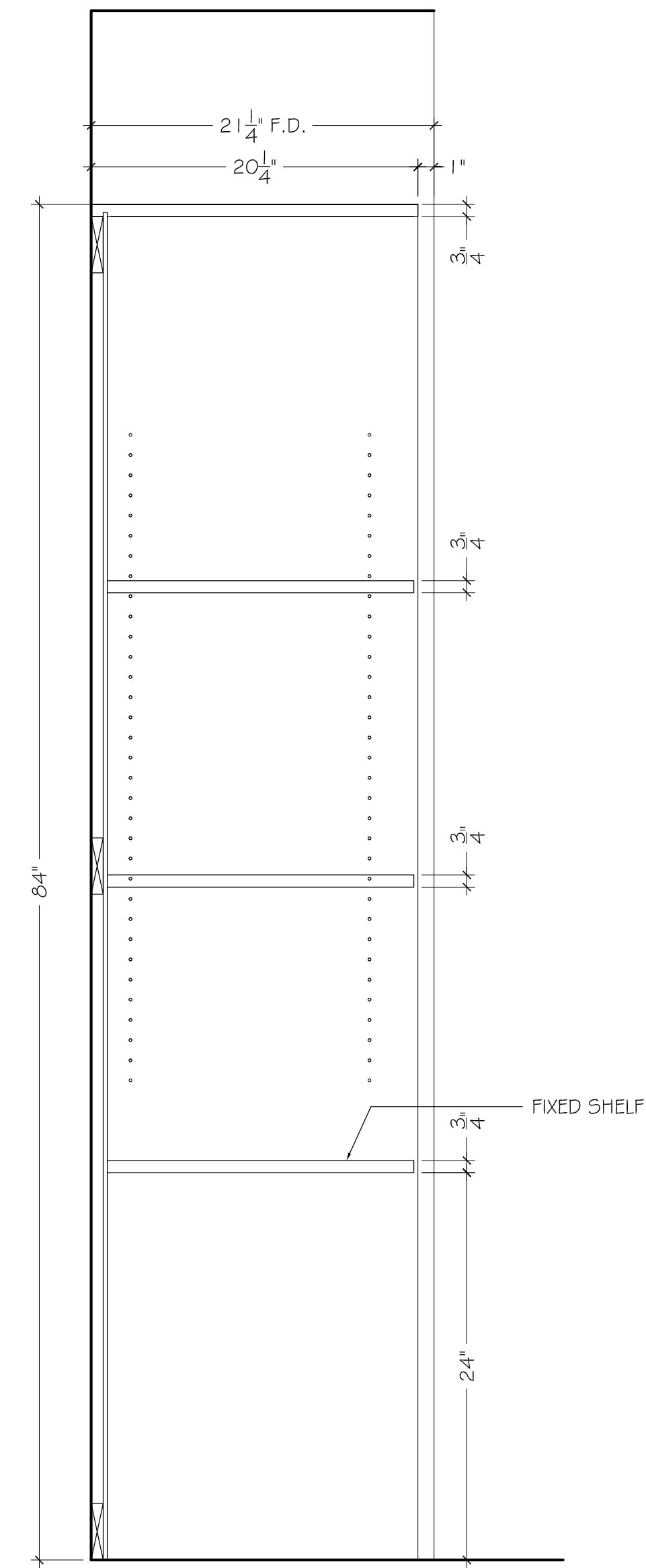
26 VERTICAL SECTION
SCALE: 1-1/2" = 1'-0"
REF: RUBY'S BEDROOM CLOSET



27 VERTICAL SECTION
SCALE: 1-1/2" = 1'-0"
REF: RUBY'S BEDROOM CLOSET



28 VERTICAL SECTION
SCALE: 1-1/2" = 1'-0"
REF: CHARLOTTE'S BEDROOM CLOSET



29 VERTICAL SECTION
SCALE: 1-1/2" = 1'-0"
REF: CHARLOTTE'S BEDROOM CLOSET

GLASS	
GL-1	BACK PAINTED GLASS
WOOD, VENEER, MELAMINE	
WD-1	QUARTER SAWN WHITE OAK W/ MEDIUM GREY STAIN, MULTI-DEPTH CERUSED FINISH
WD-2	3/4" BIRCH PLYWOOD W/ MATCHING EDGE BAND - SHOP PAINTED, COLOR T.B.D.
PF-1	PRE-FINISHED MAPLE PLYWOOD
SOLID SURFACE, STONE, METAL GLASS	
QZ-1	QUARTZ - WHITE
ST-1	SILVER ATHENS CREAM MARBLE
QZ-1	QUARTZ - WHITE
MT-1	1/2" X 2" STEEL W/ CHROME FINISH
PAINT	
PT-1	BENJAMIN MOORE #1613 SILENT NIGHT, HIGH GLOSS FINISH
PT-2	WHITE
HARDWARE	
H-1	HINGES: BLUM CLIP TOP 120° CONCEALED HINGE
H-2	DRAWER SLIDES: BLUM TANTUM PLUS #568H
H-3	TRASH PULL-OUT: CENTURY COMPONENTS, 50 QT. DOUBLE WASTE BIN
H-4	BLIND CORNER PULL-OUT: HAFELE #548, I.O.240 MAGIC CORNER II
H-5	1/2" X 1 1/2" X 1 1/2" ALUMINUM ANGLE
H-6	TOUCH LATCH: BLUM #956, 1004 TIP - ON
H-7	STEEL OUTRIGGER
H-8	TALL METAL LEG - CHROME FINISH
H-9	SHORT METAL LEG - CHROME FINISH
H-10	COAT ROD: RICHELIEU #122208140, CHROME FINISH
H-11	COAT ROD END FLANGE: RICHELIEU #6764114140, CHROME FINISH
H-12	PULL OUT HAMPER
MISCELLANEOUS	
CONESTOGA WOOD SPECIALISTS - ALUMINUM FRAME, PROFILE #AFO10, BRUSHED STAINLESS STEEL FINISH, INSERT TYPE - BPG - SILVER MATTE W/ LIGHT GREY BACKER	
M-1	
M-2	RAIUVISIO CRYSTAL - SABBIA, HIGH GLOSS FINISH

NEILSON RESIDENCE

DRAWN BY:
M.G.

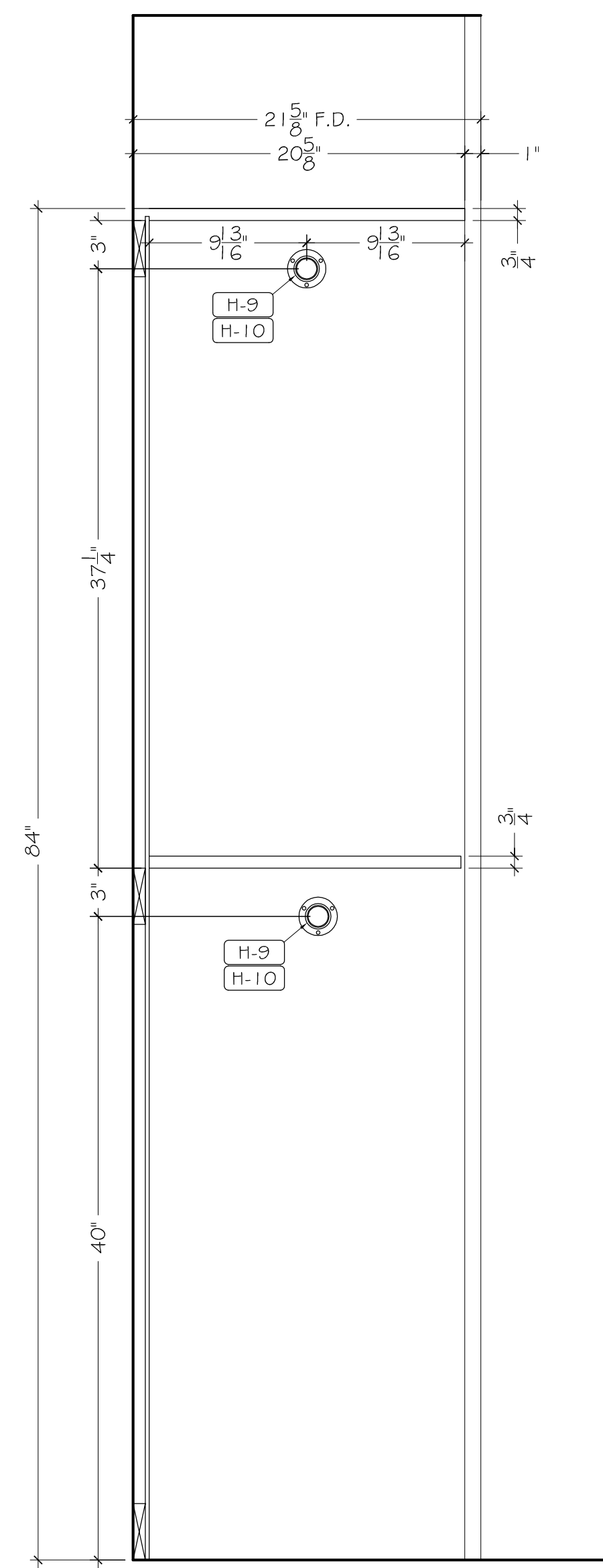
ISSUE DATE: 12-21-16
REVISIONS: 4-24-17
6-22-17
6-27-17

JOB NUMBER:
XXXXXX

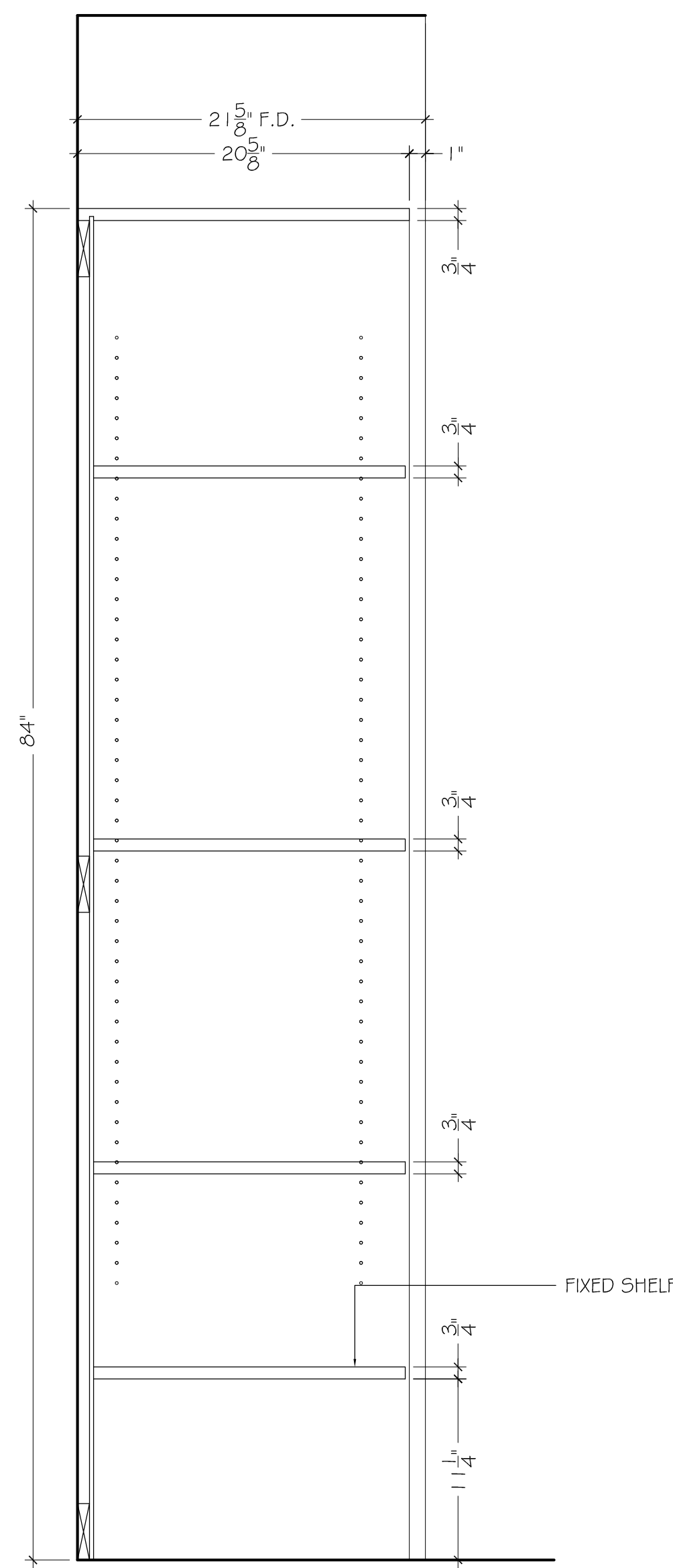
7.6

**FINISH NOTE:
ALL SURFACES TO BE WD-2**

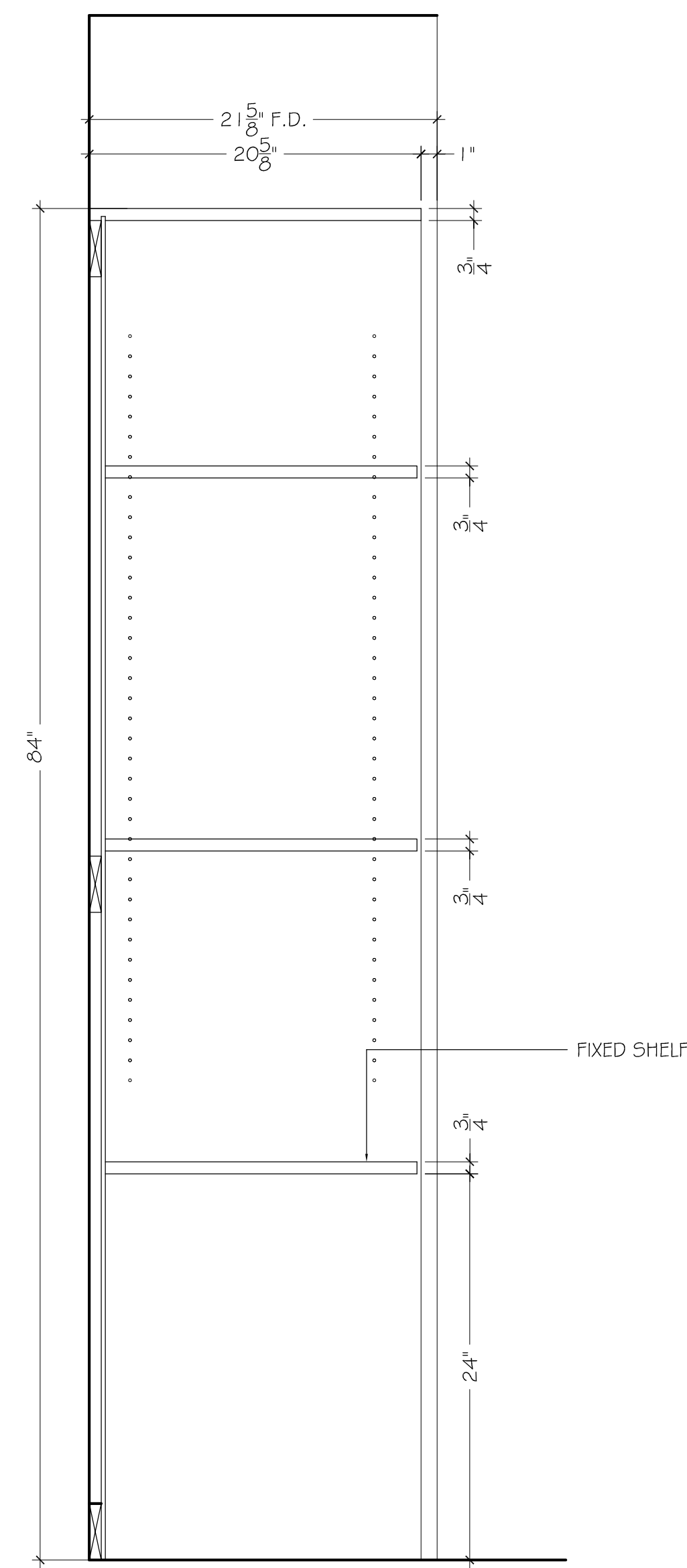
GLASS	
GL-1	BACK PAINTED GLASS
WOOD, VENEER, MELAMINE	
WD-1	QUARTER SAWN WHITE OAK W/ MEDIUM GREY STAIN, MULTI-DEPTH CERUSED FINISH
WD-2	3/4" BIRCH PLYWOOD W/ MATCHING EDGE BAND - SHOP PAINTED, COLOR T.B.D.
PF-1	PRE-FINISHED MAPLE PLYWOOD
SOLID SURFACE, STONE, METAL GLASS	
QZ-1	QUARTZ - WHITE
ST-1	SILVER ATHENS CREAM MARBLE
QZ-1	QUARTZ - WHITE
MT-1	1/2" X 2" STEEL W/ CHROME FINISH
PAINT	
PT-1	BENJAMIN MOORE # 1613 SILENT NIGHT, HIGH GLOSS FINISH
PT-2	WHITE
HARDWARE	
H-1	HINGES: BLUM CLIP TOP 120° CONCEALED HINGE
H-2	DRAWER GUIDES: BLUM TANTUM PLUS #562H
H-3	TRASH PULL-OUT: CENTURY COMPONENTS, 50 QT. DOUBLE WASTE BIN
H-4	BLIND CORNER PULL-OUT: HAFELE #54B.10.240 MAGIC CORNER II
H-5	1/2" X 1/2" X 1/4" ALUMINUM ANGLE
H-6	TOUCH LATCH: BLUM #956.1004 TIP - ON
H-7	STEEL OUTRIGGER
H-8	TALL METAL LEG - CHROME FINISH
H-9	SHORT METAL LEG - CHROME FINISH
H-10	COAT ROD: RICHELIEU #122208140, CHROME FINISH
H-11	COAT ROD END FLANGE: RICHELIEU #6764114140, CHROME FINISH
H-12	PULL OUT HAMPER
MISCELLANEOUS	
M-1	CONESTOGA WOOD SPECIALISTS - ALUMINUM FRAME, PROFILE #FO10, BRUSHED STAINLESS STEEL FINISH, INSERT TYPE - BFG - SILVER MATTE W/ LIGHT GREY BACKER
M-2	RAVIVISIO CRYSTAL - SABBIA, HIGH GLOSS FINISH



30 VERTICAL SECTION
SCALE: 1-1/2" = 1'-0"
REF: ANNIE'S BEDROOM CLOSET



31 VERTICAL SECTION
SCALE: 1-1/2" = 1'-0"
REF: ANNIE'S BEDROOM CLOSET



32 VERTICAL SECTION
SCALE: 1-1/2" = 1'-0"
REF: ANNIE'S BEDROOM CLOSET

NEILSON RESIDENCE

DRAWN BY:
M.G.

ISSUE DATE: 12-21-16
REVISIONS: 4-24-17
6-22-17
6-27-17

JOB NUMBER:
XXXXXX

7.7