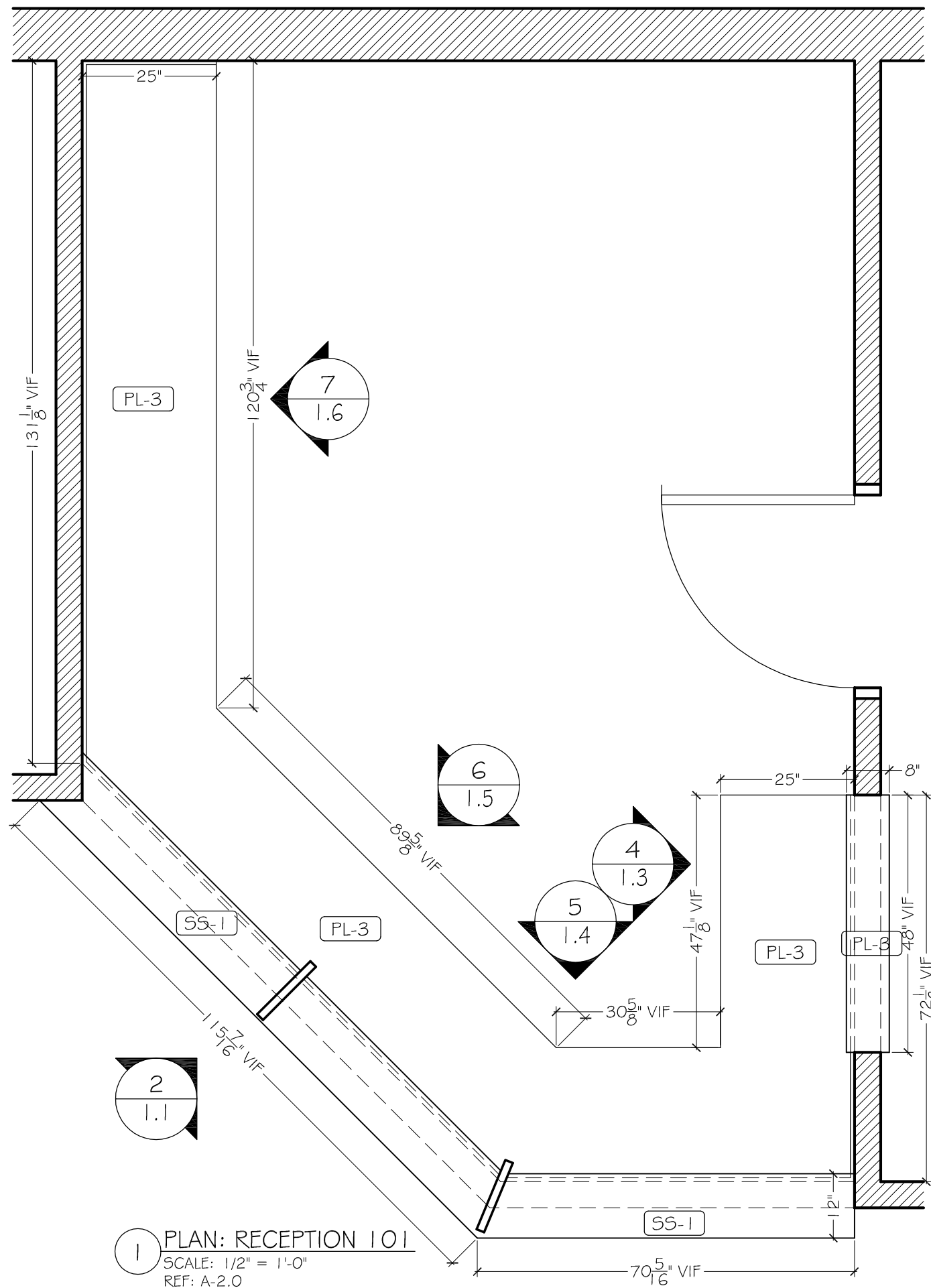


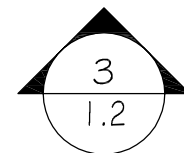
MILLWORK SHOP DRAWING SUBMITTALS FOR:
EDIFICE MEDICAL OFFICE BUILDING
 2618 WEST TENNESSEE STREET
 TALLAHASSEE, FL

<u>ARCHITECT:</u> PASQUALE KURITZKY ARCHITECTURE, INC. 5101 N.W. 21ST AVENUE, SUITE 360 FORT LAUDERDALE, FL 33309	<u>FINISH SCHEDULE</u>																											
	<table border="1" style="width: 100%; border-collapse: collapse;"> <thead> <tr> <th style="width: 15%;">CODE</th> <th style="width: 35%;">MANUFACTURER</th> <th style="width: 50%;">COLOR</th> </tr> </thead> <tbody> <tr> <td>PL-1</td> <td>WILSONART</td> <td>#4779-60 PEWTER BRUSH, MATTE FINISH</td> </tr> <tr> <td>PL-2</td> <td>WILSONART</td> <td>#1570-60 WHITE, MATTE FINISH</td> </tr> <tr> <td>PL-3</td> <td>WILSONART</td> <td>#4924-38 WHITE CARRARA, FINE VELVET FINISH</td> </tr> <tr> <td>PL-4</td> <td>WILSONART</td> <td>#4968-38 URBAN IRON, FINE VELVET FINISH</td> </tr> <tr> <td>SS-1</td> <td>WILSONART</td> <td>#Q4009 KOLAMS</td> </tr> <tr> <td>ML-1</td> <td></td> <td>WHITE MELAMINE</td> </tr> </tbody> </table>	CODE	MANUFACTURER	COLOR	PL-1	WILSONART	#4779-60 PEWTER BRUSH, MATTE FINISH	PL-2	WILSONART	#1570-60 WHITE, MATTE FINISH	PL-3	WILSONART	#4924-38 WHITE CARRARA, FINE VELVET FINISH	PL-4	WILSONART	#4968-38 URBAN IRON, FINE VELVET FINISH	SS-1	WILSONART	#Q4009 KOLAMS	ML-1		WHITE MELAMINE						
CODE	MANUFACTURER	COLOR																										
PL-1	WILSONART	#4779-60 PEWTER BRUSH, MATTE FINISH																										
PL-2	WILSONART	#1570-60 WHITE, MATTE FINISH																										
PL-3	WILSONART	#4924-38 WHITE CARRARA, FINE VELVET FINISH																										
PL-4	WILSONART	#4968-38 URBAN IRON, FINE VELVET FINISH																										
SS-1	WILSONART	#Q4009 KOLAMS																										
ML-1		WHITE MELAMINE																										
<u>GENERAL CONTRACTOR:</u> K.L. MCCAUL CONSTRUCTION 11383 N.W. 122ND STREET MEDLEY, FL 33178	<u>HARDWARE SCHEDULE</u>																											
<u>ARCHITECTURAL MILLWORK:</u>	<table border="1" style="width: 100%; border-collapse: collapse;"> <thead> <tr> <th style="width: 15%;">CODE</th> <th style="width: 85%;">DESCRIPTION</th> </tr> </thead> <tbody> <tr> <td>H-1</td> <td>HINGES: SALICE 200 SERIES FULL OVERLAY</td> </tr> <tr> <td>H-2</td> <td>DRAWER SLIDES: GRASS ZARGEN</td> </tr> <tr> <td>H-3</td> <td>SHELF PINS: BLUM #340040 NYLON COVERED 5mm STEEL PIN</td> </tr> <tr> <td>H-4</td> <td>PULLS: HAFELE #116.07.626 96MM WIRE PULL, MATTE CHROME FINISH</td> </tr> <tr> <td>H-5</td> <td>SUPPORT BRACKET: A&M HARDWARE, 15"X21"</td> </tr> <tr> <td>H-6</td> <td>ADJ. SHELF STANDARDS: K&V 87 SERIES, ANOCHROME FINISH</td> </tr> <tr> <td>H-7</td> <td>ADJ. SHELF BRACKETS: K&V 187 SERIES, ANOCHROME FINISH</td> </tr> <tr> <td>H-8</td> <td>TRASH GROMMET: DOUG MOCKETT #TM1B, 6" DIA, STAINLESS STEEL FINISH</td> </tr> <tr> <td>H-9</td> <td>CAM LOCK: COMPX, STOCK LOCK</td> </tr> <tr> <td>H-10</td> <td>2" DIA. BLACK GROMMET, VERIFY LOCATION W/ OWNER IN FIELD</td> </tr> <tr> <td>H-11</td> <td>CLOSET ROD: RICHELIEU #122208140, 1-1/4" DIA., CHROME FINISH</td> </tr> <tr> <td>H-12</td> <td>CLOSET ROD FLANGE: RICHELIEU #8764114140, 1-1/4" DIA., CHROME FINISH</td> </tr> </tbody> </table>	CODE	DESCRIPTION	H-1	HINGES: SALICE 200 SERIES FULL OVERLAY	H-2	DRAWER SLIDES: GRASS ZARGEN	H-3	SHELF PINS: BLUM #340040 NYLON COVERED 5mm STEEL PIN	H-4	PULLS: HAFELE #116.07.626 96MM WIRE PULL, MATTE CHROME FINISH	H-5	SUPPORT BRACKET: A&M HARDWARE, 15"X21"	H-6	ADJ. SHELF STANDARDS: K&V 87 SERIES, ANOCHROME FINISH	H-7	ADJ. SHELF BRACKETS: K&V 187 SERIES, ANOCHROME FINISH	H-8	TRASH GROMMET: DOUG MOCKETT #TM1B, 6" DIA, STAINLESS STEEL FINISH	H-9	CAM LOCK: COMPX, STOCK LOCK	H-10	2" DIA. BLACK GROMMET, VERIFY LOCATION W/ OWNER IN FIELD	H-11	CLOSET ROD: RICHELIEU #122208140, 1-1/4" DIA., CHROME FINISH	H-12	CLOSET ROD FLANGE: RICHELIEU #8764114140, 1-1/4" DIA., CHROME FINISH	
CODE	DESCRIPTION																											
H-1	HINGES: SALICE 200 SERIES FULL OVERLAY																											
H-2	DRAWER SLIDES: GRASS ZARGEN																											
H-3	SHELF PINS: BLUM #340040 NYLON COVERED 5mm STEEL PIN																											
H-4	PULLS: HAFELE #116.07.626 96MM WIRE PULL, MATTE CHROME FINISH																											
H-5	SUPPORT BRACKET: A&M HARDWARE, 15"X21"																											
H-6	ADJ. SHELF STANDARDS: K&V 87 SERIES, ANOCHROME FINISH																											
H-7	ADJ. SHELF BRACKETS: K&V 187 SERIES, ANOCHROME FINISH																											
H-8	TRASH GROMMET: DOUG MOCKETT #TM1B, 6" DIA, STAINLESS STEEL FINISH																											
H-9	CAM LOCK: COMPX, STOCK LOCK																											
H-10	2" DIA. BLACK GROMMET, VERIFY LOCATION W/ OWNER IN FIELD																											
H-11	CLOSET ROD: RICHELIEU #122208140, 1-1/4" DIA., CHROME FINISH																											
H-12	CLOSET ROD FLANGE: RICHELIEU #8764114140, 1-1/4" DIA., CHROME FINISH																											

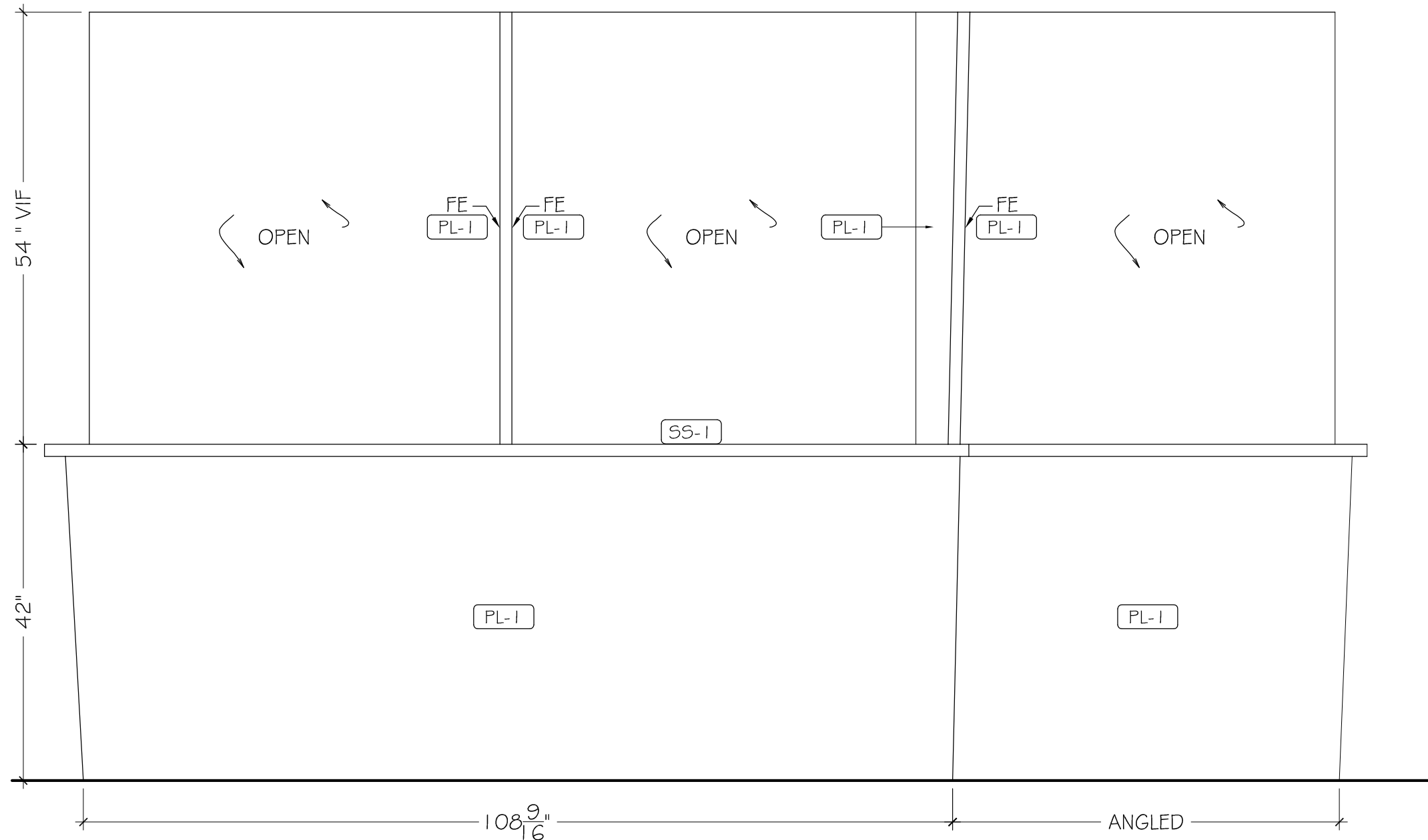
COVER SHEET		
Scale:	Ref:	Drawn by: M.G.
Date: 4-12-17		Revised:
EDIFICE MEDICAL OFFICE BUILDING		Sheet Number: COVER



1 PLAN: RECEPTION 101
 SCALE: 1/2" = 1'-0"
 REF: A-2.0

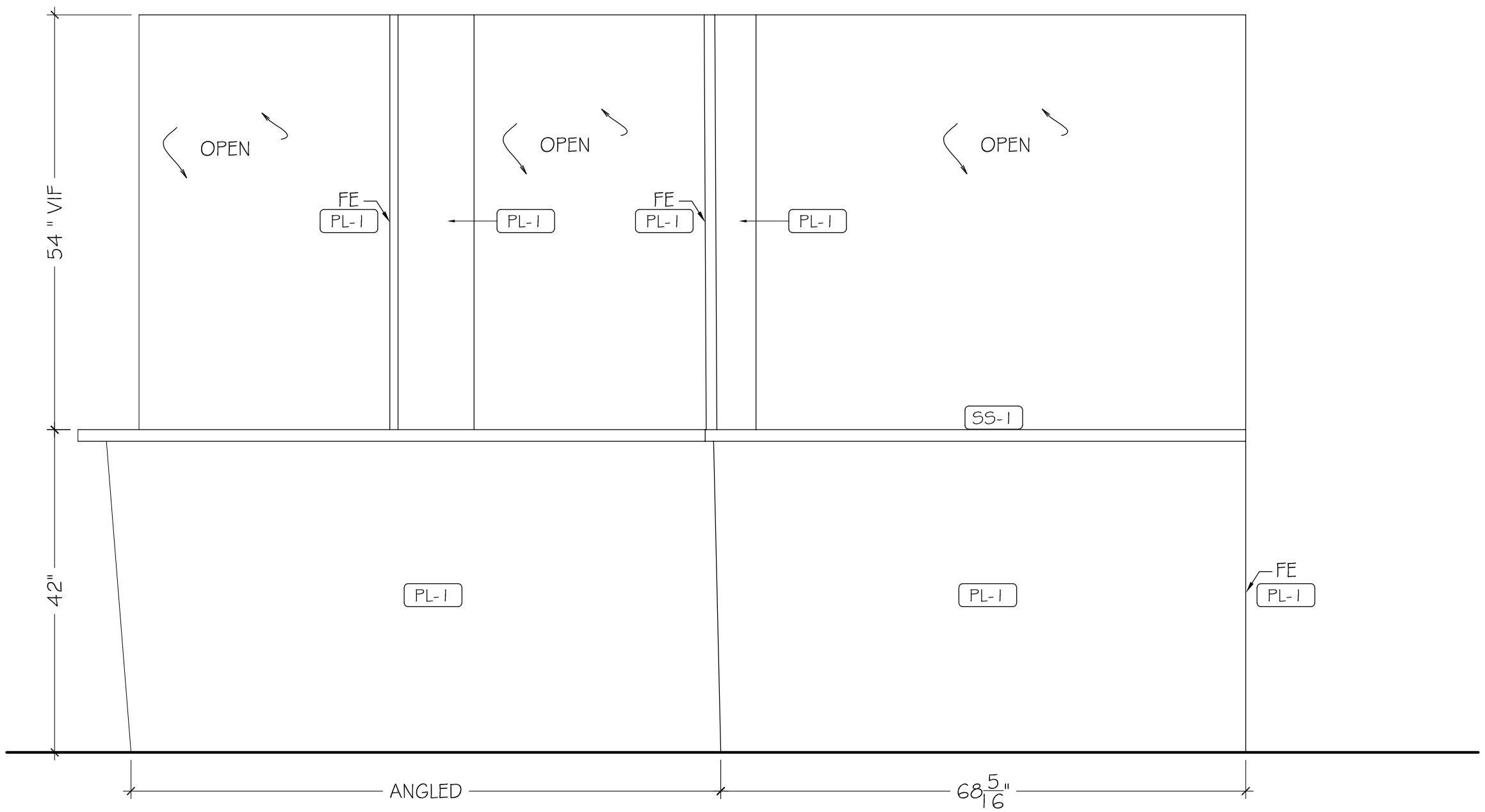


RECEPTION 101		Drawn by: M.G.
Scale:	Ref:	Revised:
Date: 4-12-17		Sheet Number: 1.0
EDIFICE MEDICAL OFFICE BUILDING		



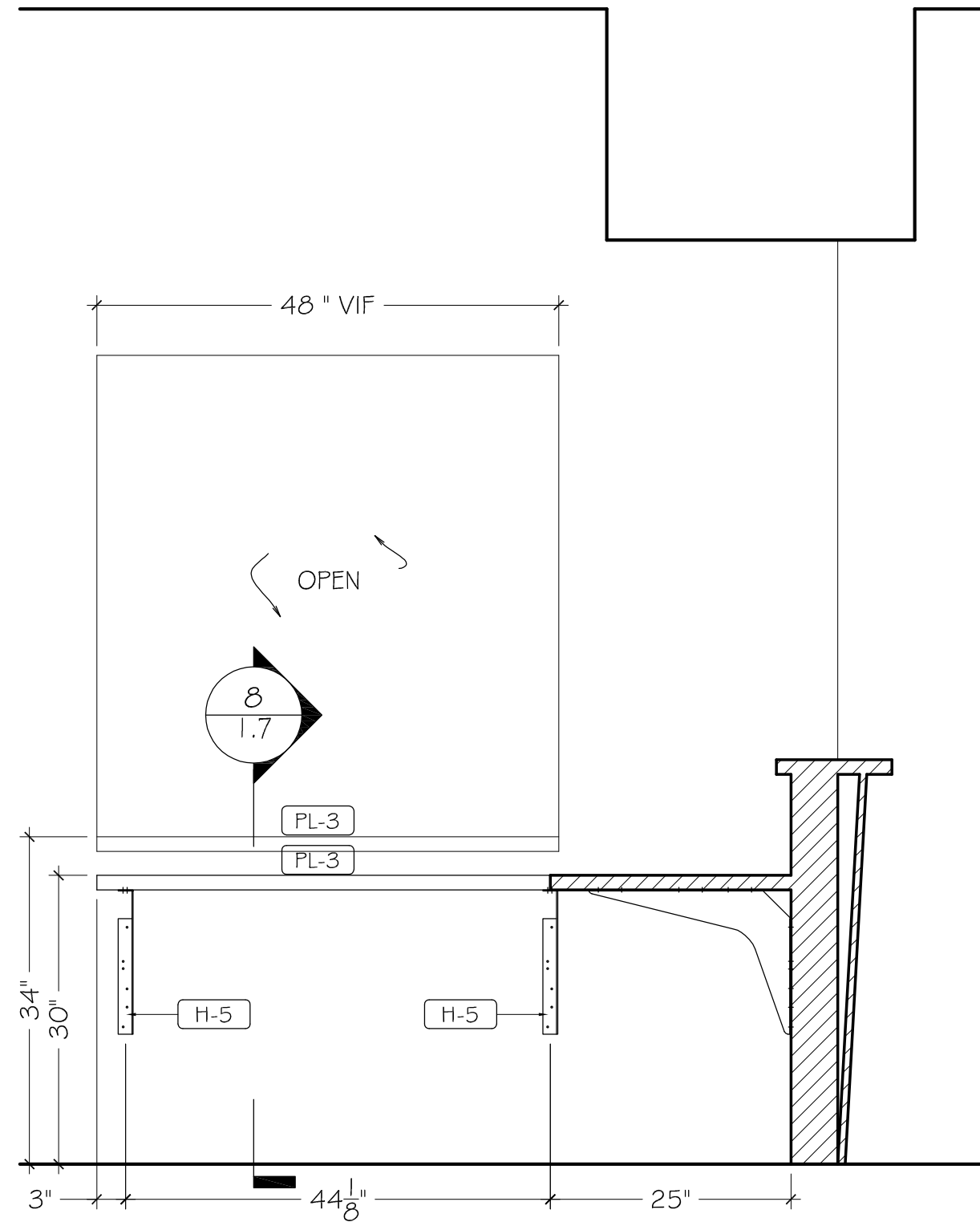
2 ELEVATION: RECEPTION 101
 SCALE: 3/4" = 1'-0"
 REF: 1/A-7.0

RECEPTION 101		Drawn by: M.G.
Scale:	Ref:	Revised:
Date: 4-12-17		
EDIFICE MEDICAL OFFICE BUILDING		Sheet Number: 1.1



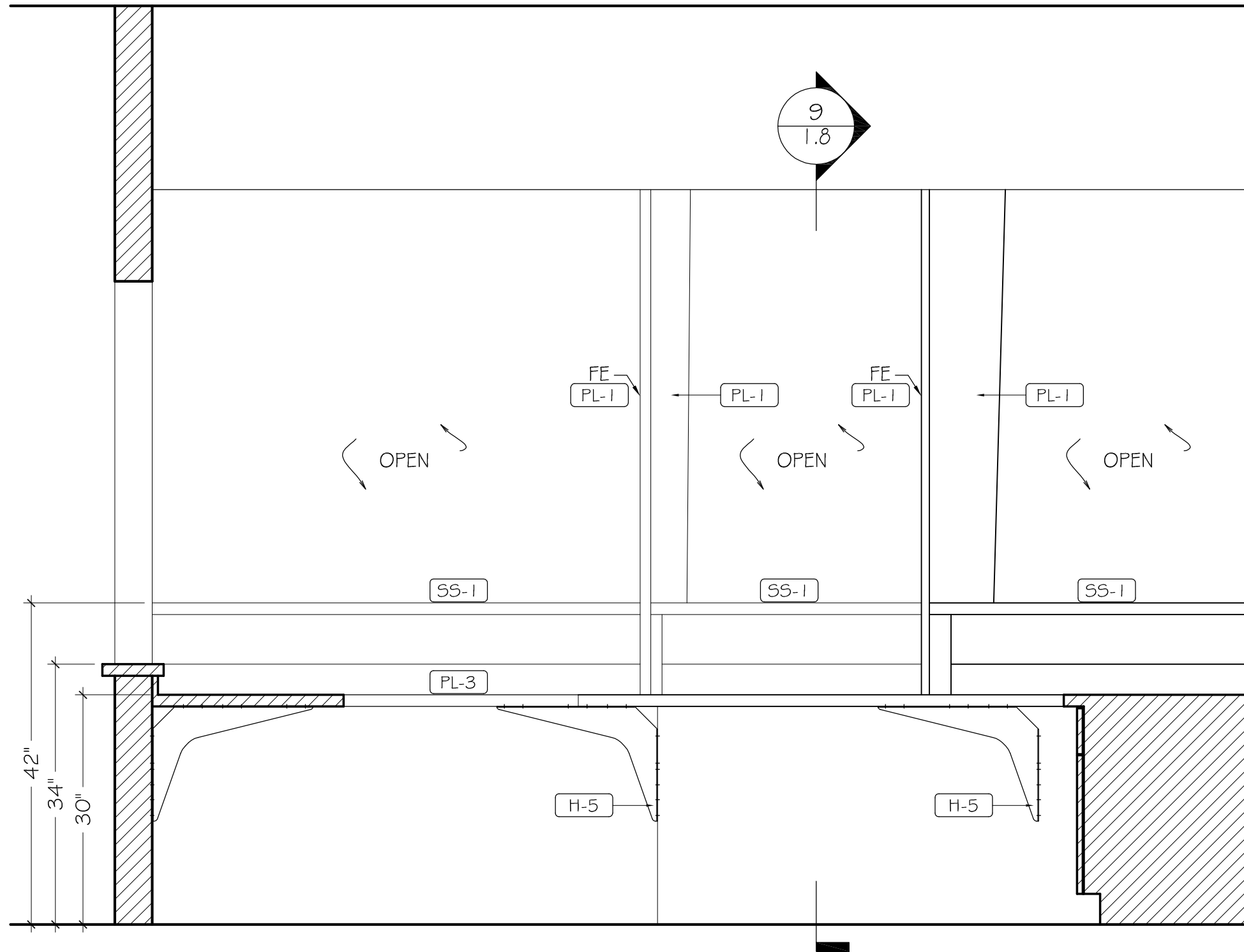
3 ELEVATION: RECEPTION 101
 SCALE: 3/4" = 1'-0"
 REF: 1/A-7.0

RECEPTION 101		Drawn by: M.G.
Scale:	Ref:	Revised:
Date: 4-12-17		
EDIFICE MEDICAL OFFICE BUILDING		Sheet Number: 1.2



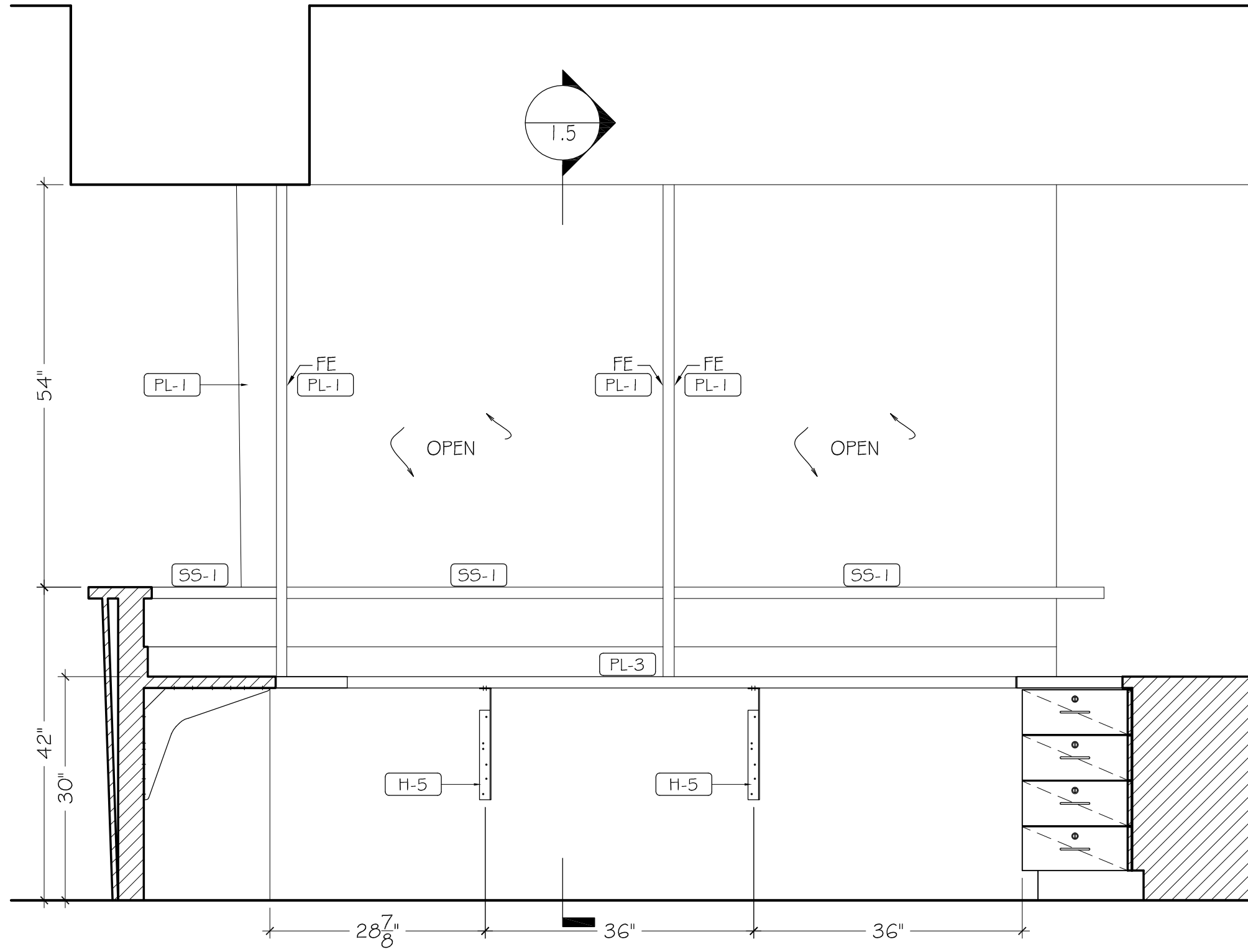
4 ELEVATION: RECEPTION 101
 SCALE: 3/4" = 1'-0"
 REF: 4/A-7.0

RECEPTION 101		Drawn by: M.G.
Scale:	Ref:	Revised:
Date: 4-12-17		
EDIFICE MEDICAL OFFICE BUILDING		Sheet Number: 1.3



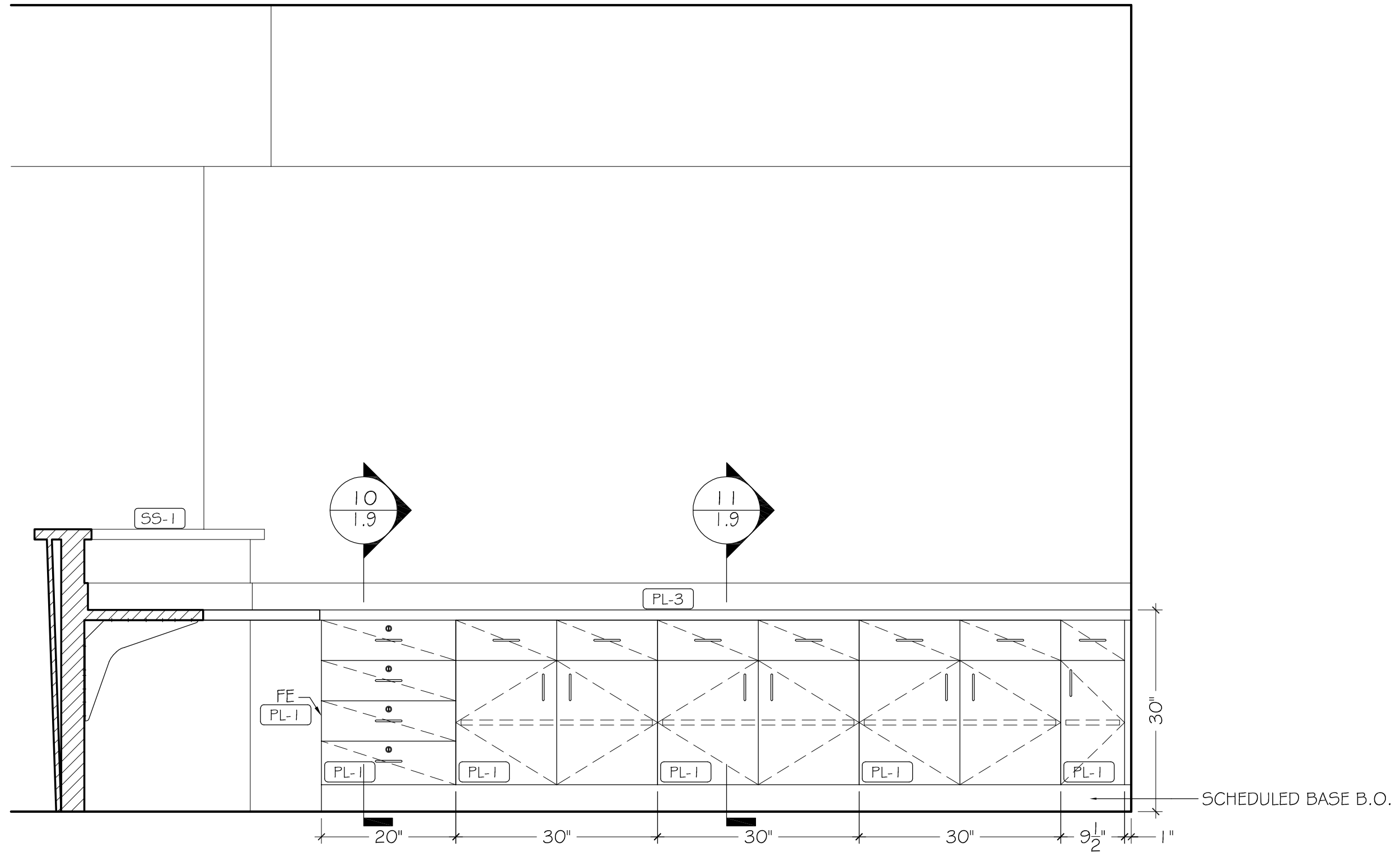
5 ELEVATION: RECEPTION 101
 SCALE: 3/4" = 1'-0"
 REF: 2/A-7.0

RECEPTION 101		Drawn by: M.G.
Scale:	Ref:	Revised:
Date: 4-12-17		
EDIFICE MEDICAL OFFICE BUILDING		Sheet Number: 1.4



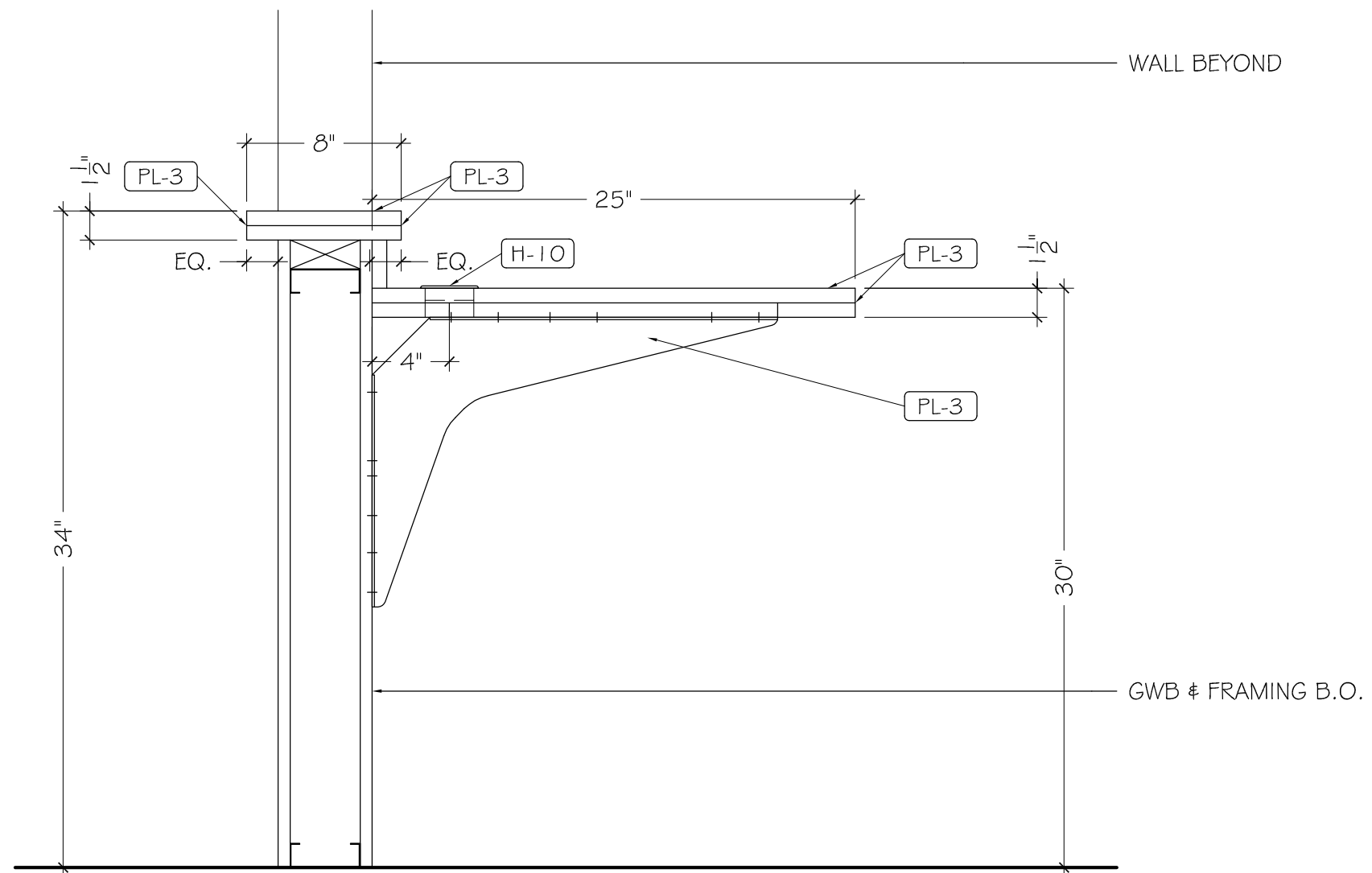
6 ELEVATION: RECEPTION 101
 SCALE: 3/4" = 1'-0"
 REF: 2 # 3/A-7.0

RECEPTION 101		Drawn by: M.G.
Scale:	Ref:	Revised:
Date: 4-12-17		
EDIFICE MEDICAL OFFICE BUILDING		Sheet Number: 1.5



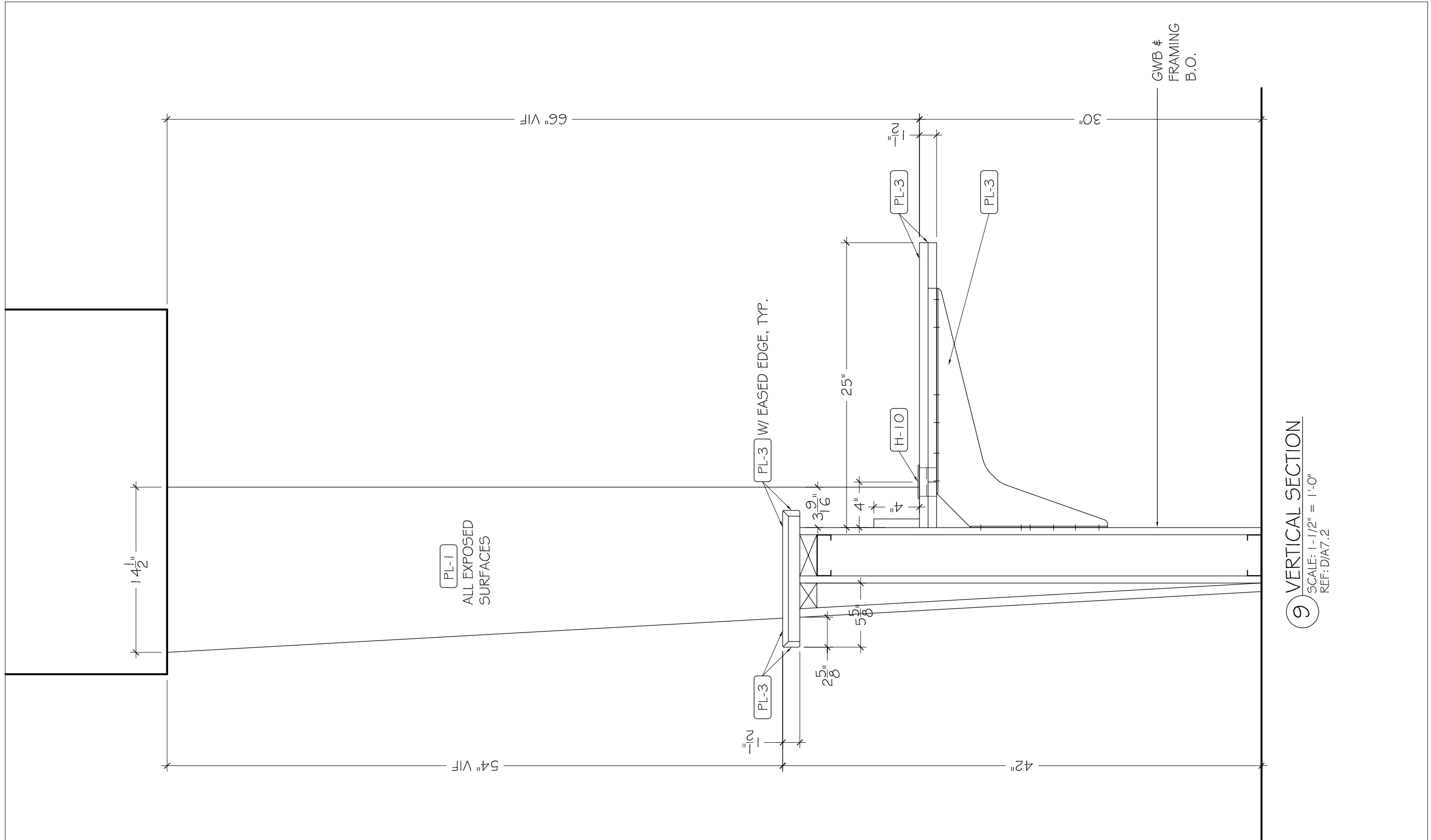
7 ELEVATION: RECEPTION 101
 SCALE: 3/4" = 1'-0"
 REF: 3/A-7.0

RECEPTION 101		Drawn by: M.G.
Scale:	Ref:	Revised:
Date: 4-12-17		
EDIFICE MEDICAL OFFICE BUILDING		Sheet Number: 1.6



8 VERTICAL SECTION
 SCALE: 1-1/2" = 1'-0"
 REF: E/A-7.2

RECEPTION 101		Drawn by: M.G.
Scale:	Ref:	Revised:
Date: 4-12-17		
EDIFICE MEDICAL OFFICE BUILDING		Sheet Number: 1.7

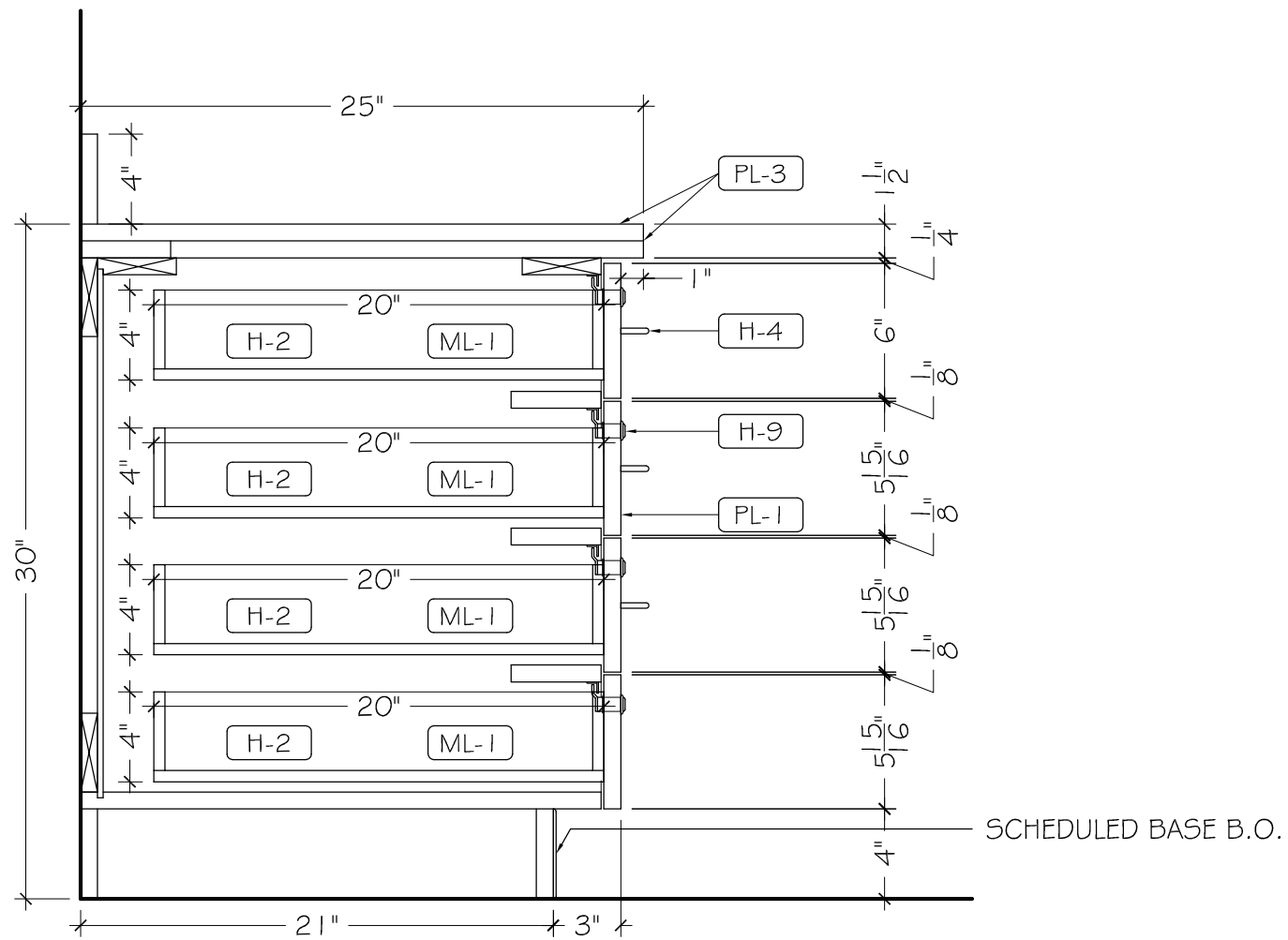


GWB &
FRAMING
B.O.

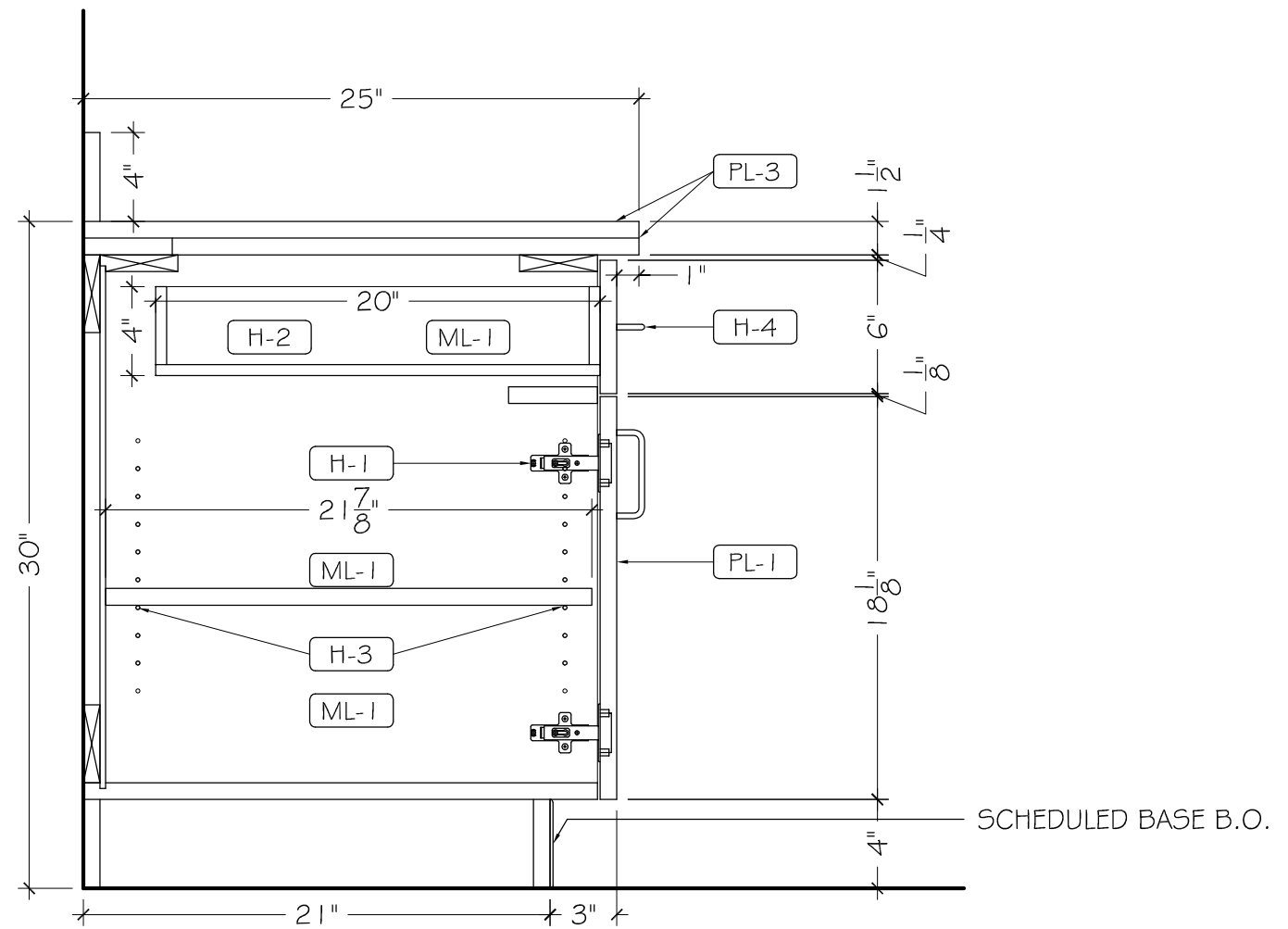
9 VERTICAL SECTION

SCALE: 1-1/2" = 1'-0"
REF: DIA7.2

RECEPTION 101		Drawn by: M.G.
Scale:	Ref:	Revised:
Date: 4-12-17		
EDIFICE MEDICAL OFFICE BUILDING		Sheet Number: 1.8

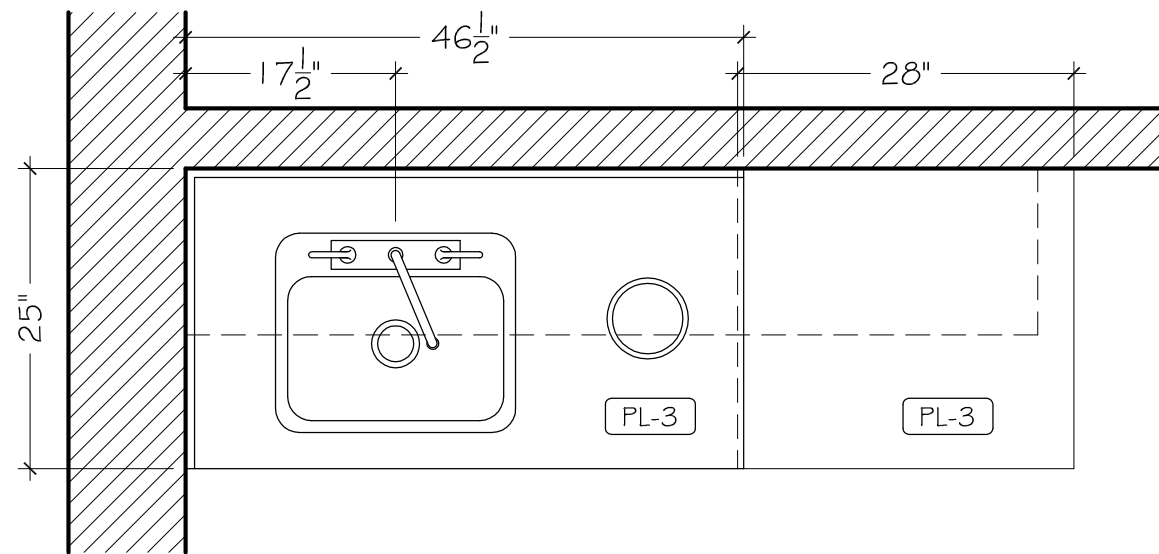


10 VERTICAL SECTION
 SCALE: 1-1/2" = 1'-0"
 REF: N/A



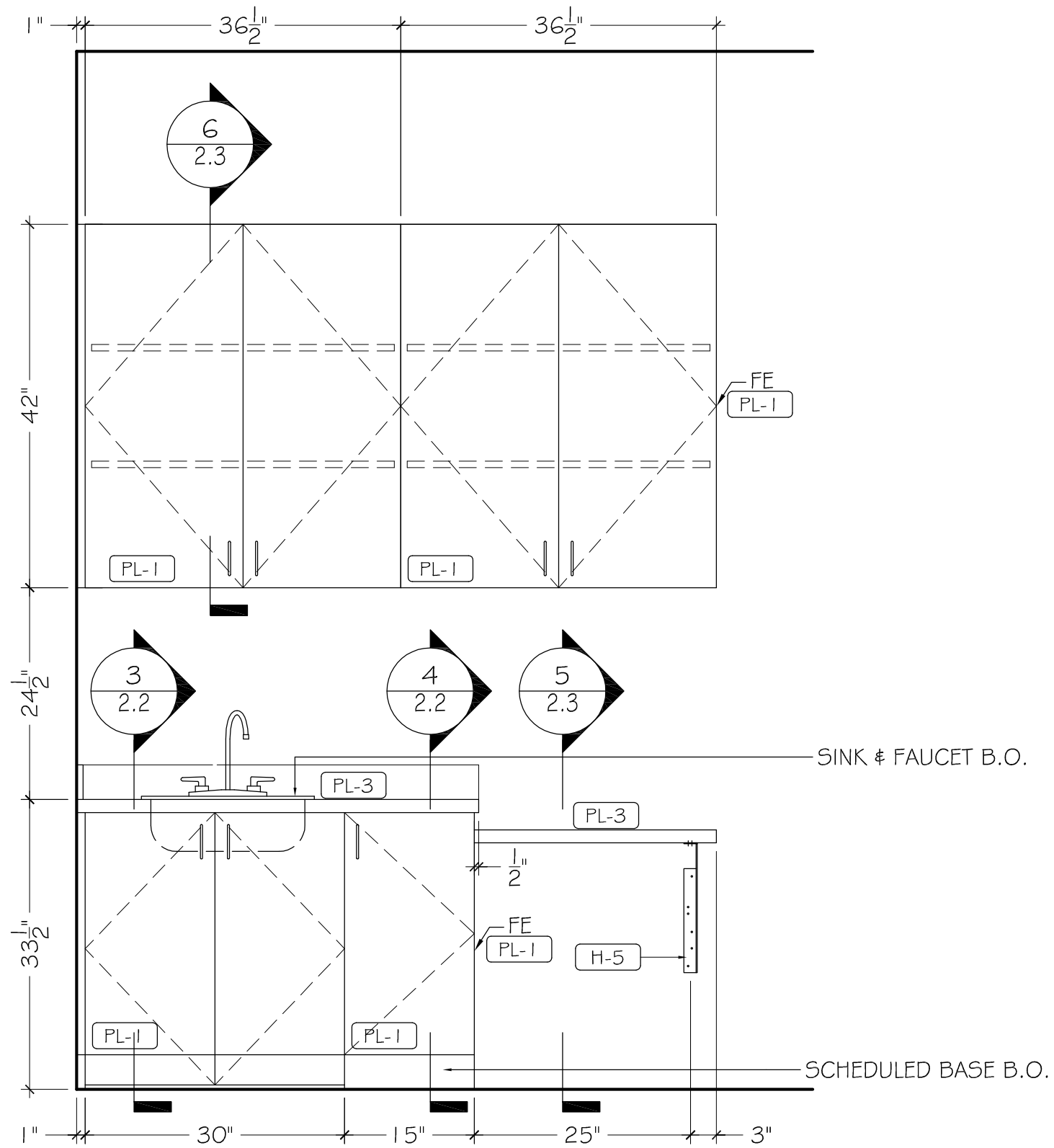
11 VERTICAL SECTION
 SCALE: 1-1/2" = 1'-0"
 REF: B/A-7.2 SIM.

RECEPTION 101		
Scale:	Ref:	Drawn by: M.G.
Date: 4-12-17		Revised:
EDIFICE MEDICAL OFFICE BUILDING		Sheet Number: 1.9



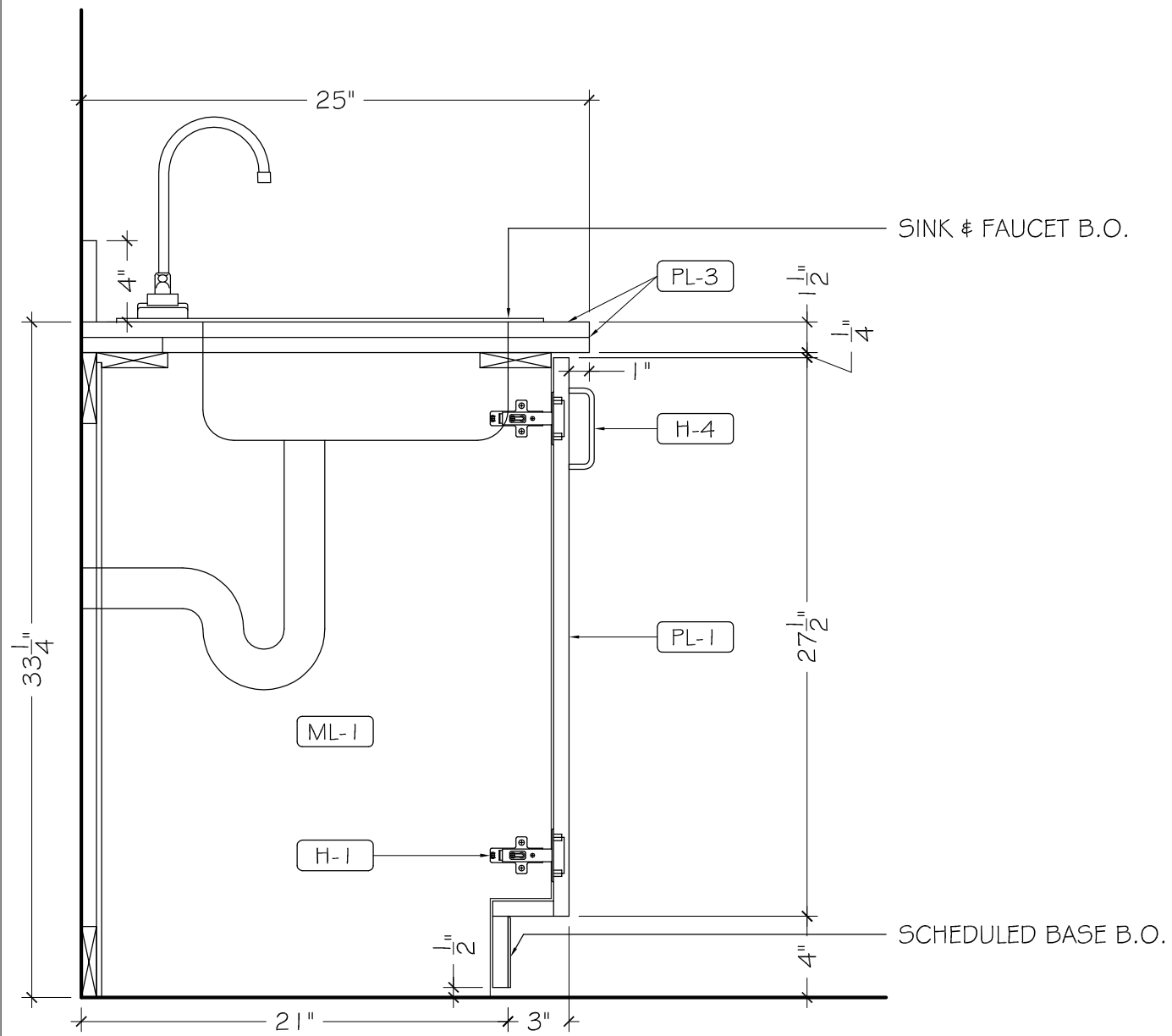
1 PLAN: EXAM ROOM #1 105 & EXAM ROOM #2 106
 SCALE: 3/4" = 1'-0"
 REF: A-2.0

EXAM ROOM #1 105 & EXAM ROOM #2 106		
Scale:	Ref:	Drawn by: M.G.
Date: 4-12-17		Revised:
EDIFICE MEDICAL OFFICE BUILDING		Sheet Number: 2.0

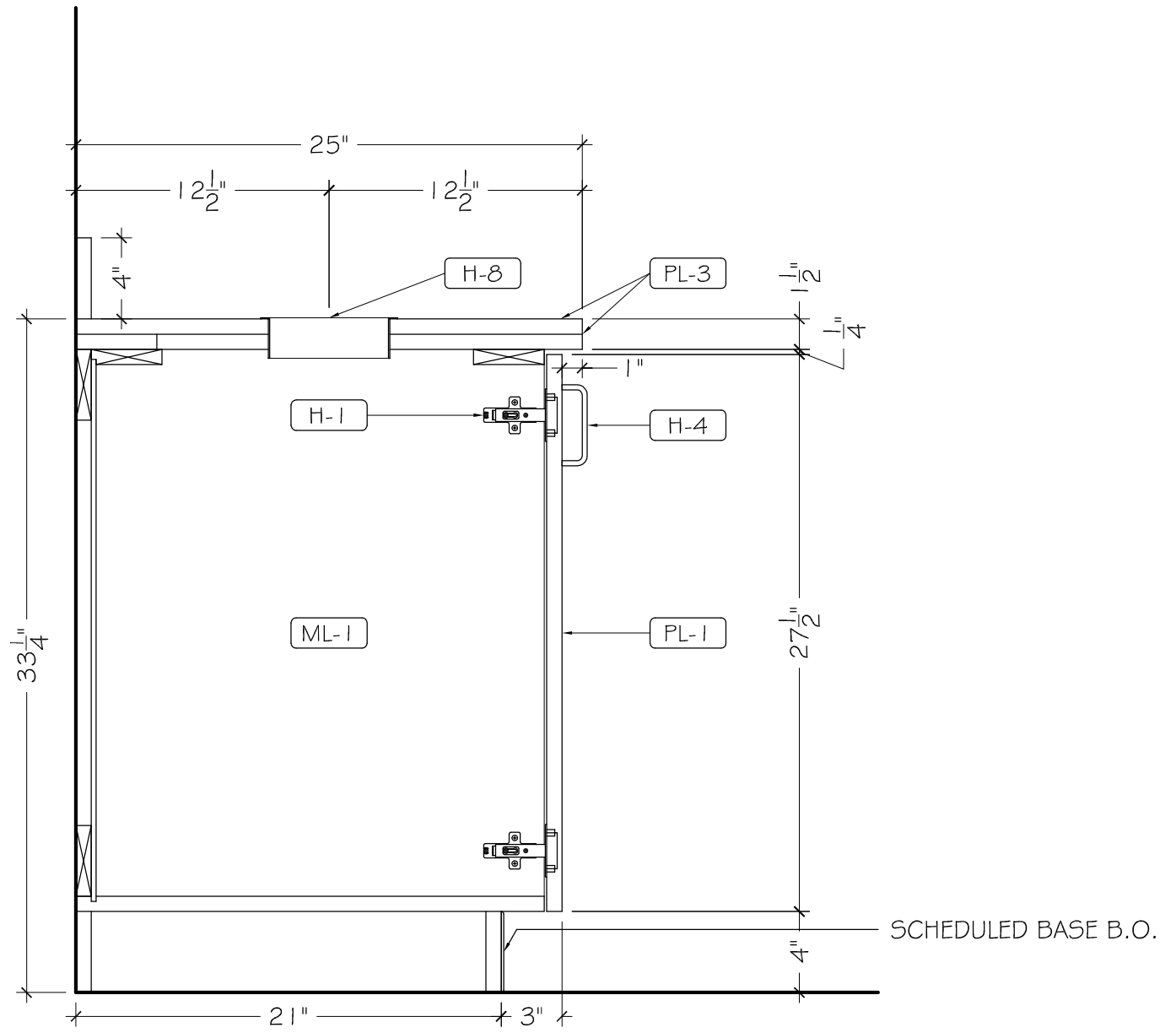


2 ELEVATION: EXAM ROOM #1 105 & EXAM ROOM #2 106
 SCALE: 3/4" = 1'-0"
 REF: 13/A-7.1

EXAM ROOM #1 105 & EXAM ROOM #2 106		
Scale:	Ref:	Drawn by: M.G.
Date: 4-12-17		Revised:
EDIFICE MEDICAL OFFICE BUILDING		Sheet Number: 2.1

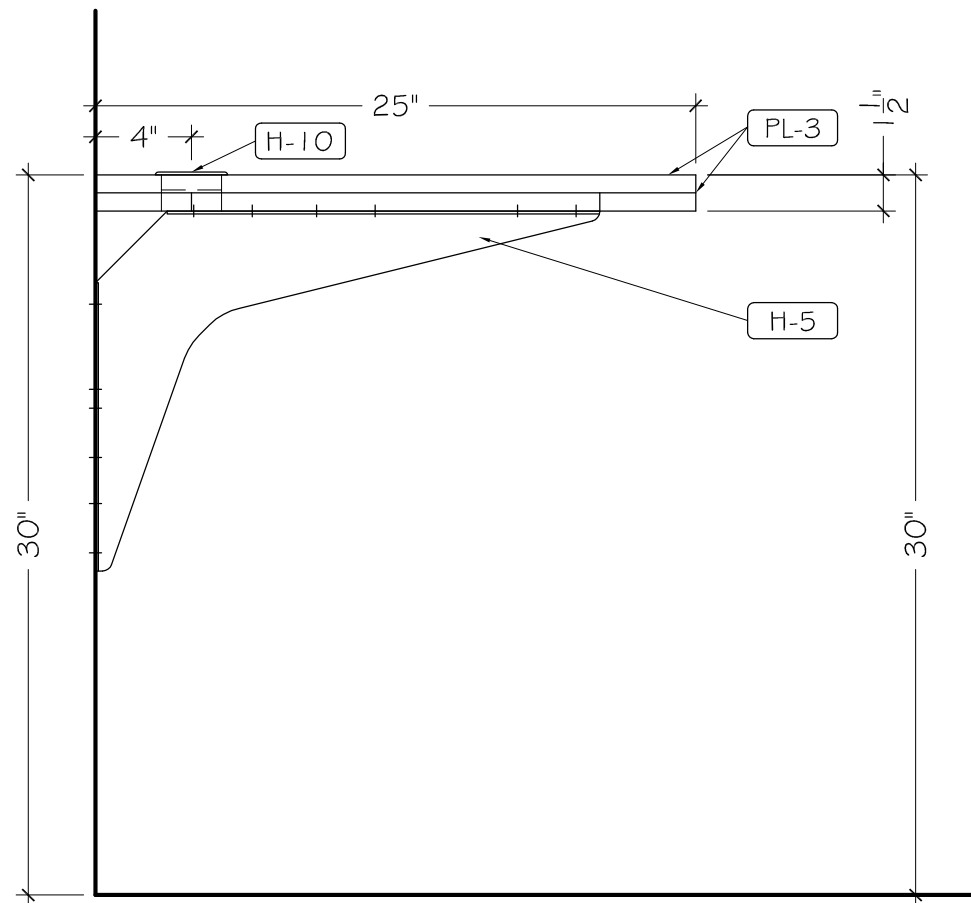


3 VERTICAL SECTION
 SCALE: 1-1/2" = 1'-0"
 REF: N/A

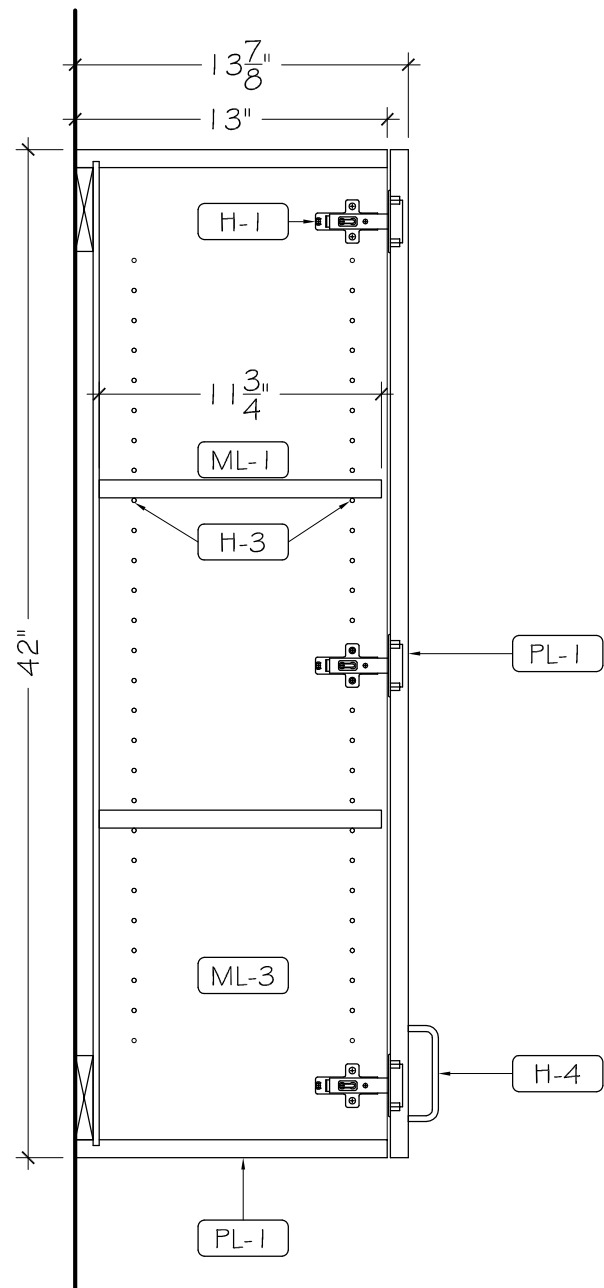


4 VERTICAL SECTION
 SCALE: 1-1/2" = 1'-0"
 REF: N/A

EXAM ROOM #1 105 & EXAM ROOM #2 106		
Scale:	Ref:	Drawn by: M.G.
Date: 4-12-17		Revised:
EDIFICE MEDICAL OFFICE BUILDING		Sheet Number: 2.2

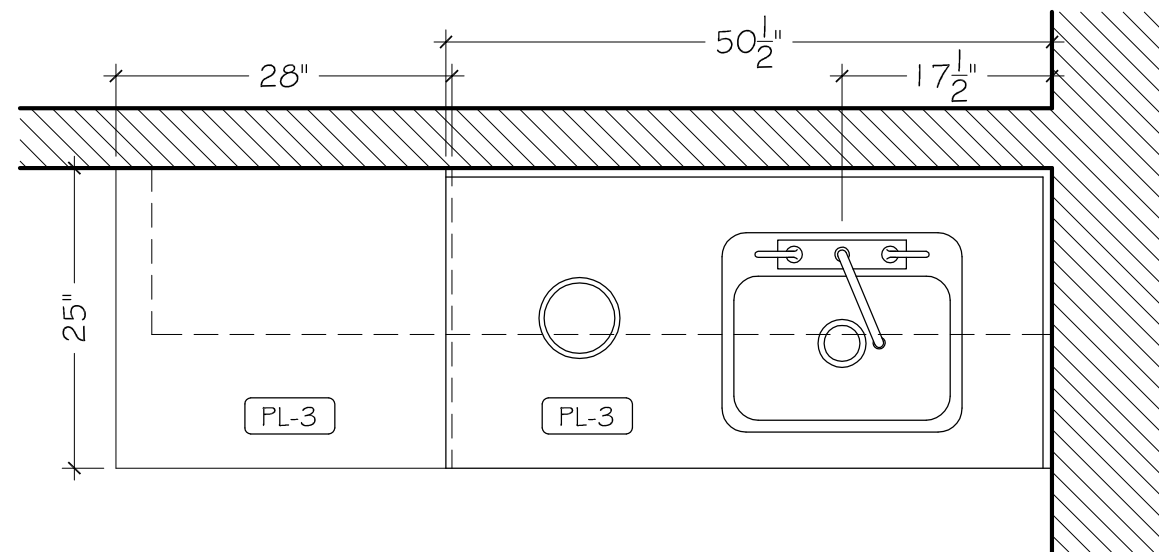


5 VERTICAL SECTION
 SCALE: 1-1/2" = 1'-0"
 REF: F/A-7.2



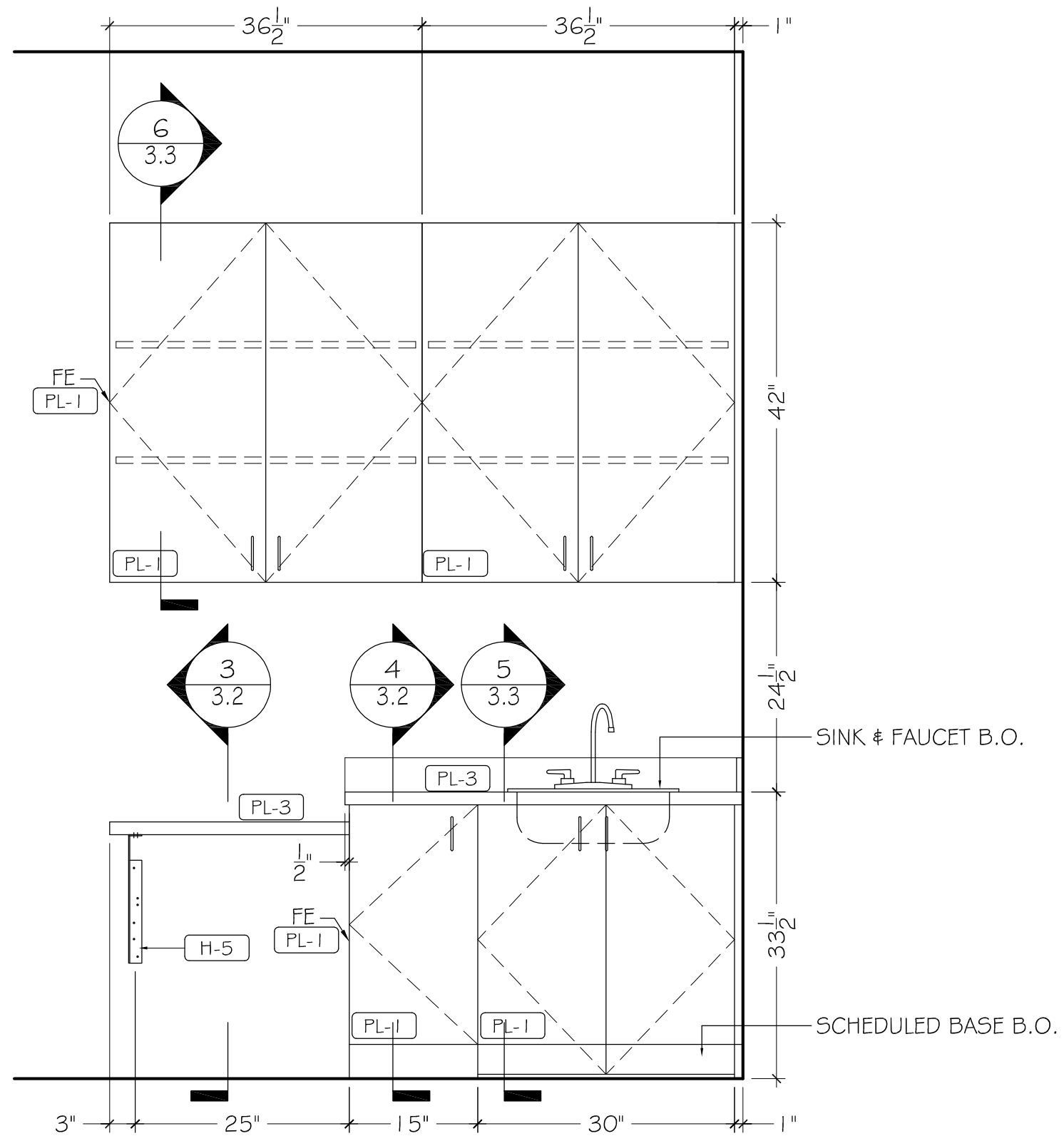
6 VERTICAL SECTION
 SCALE: 1-1/2" = 1'-0"
 REF: C/A-7.2

EXAM ROOM #1 105 & EXAM ROOM #2 106		
Scale:	Ref:	Drawn by: M.G.
Date: 4-12-17		Revised:
EDIFICE MEDICAL OFFICE BUILDING		Sheet Number: 2.3



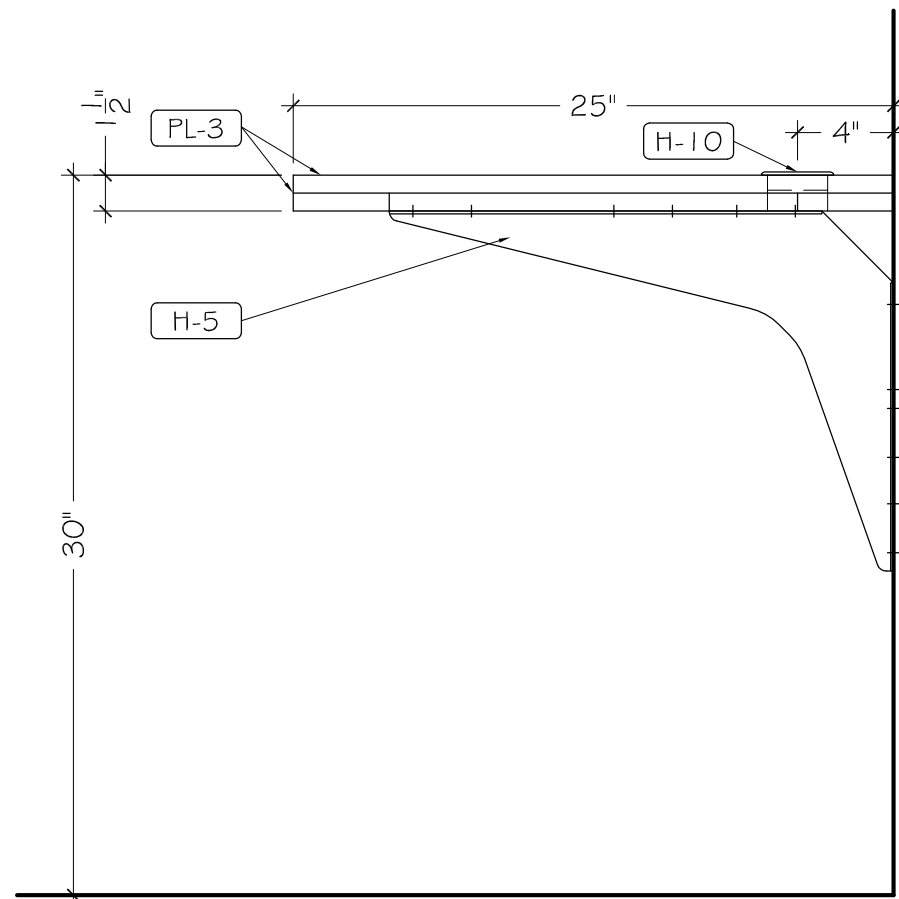
1 PLAN: EXAM ROOM #3 107
 SCALE: 3/4" = 1'-0"
 REF: A-2.0

EXAM ROOM #3 107		
Scale:	Ref:	Drawn by: M.G.
Date: 4-12-17		Revised:
EDIFICE MEDICAL OFFICE BUILDING		Sheet Number: 3.0

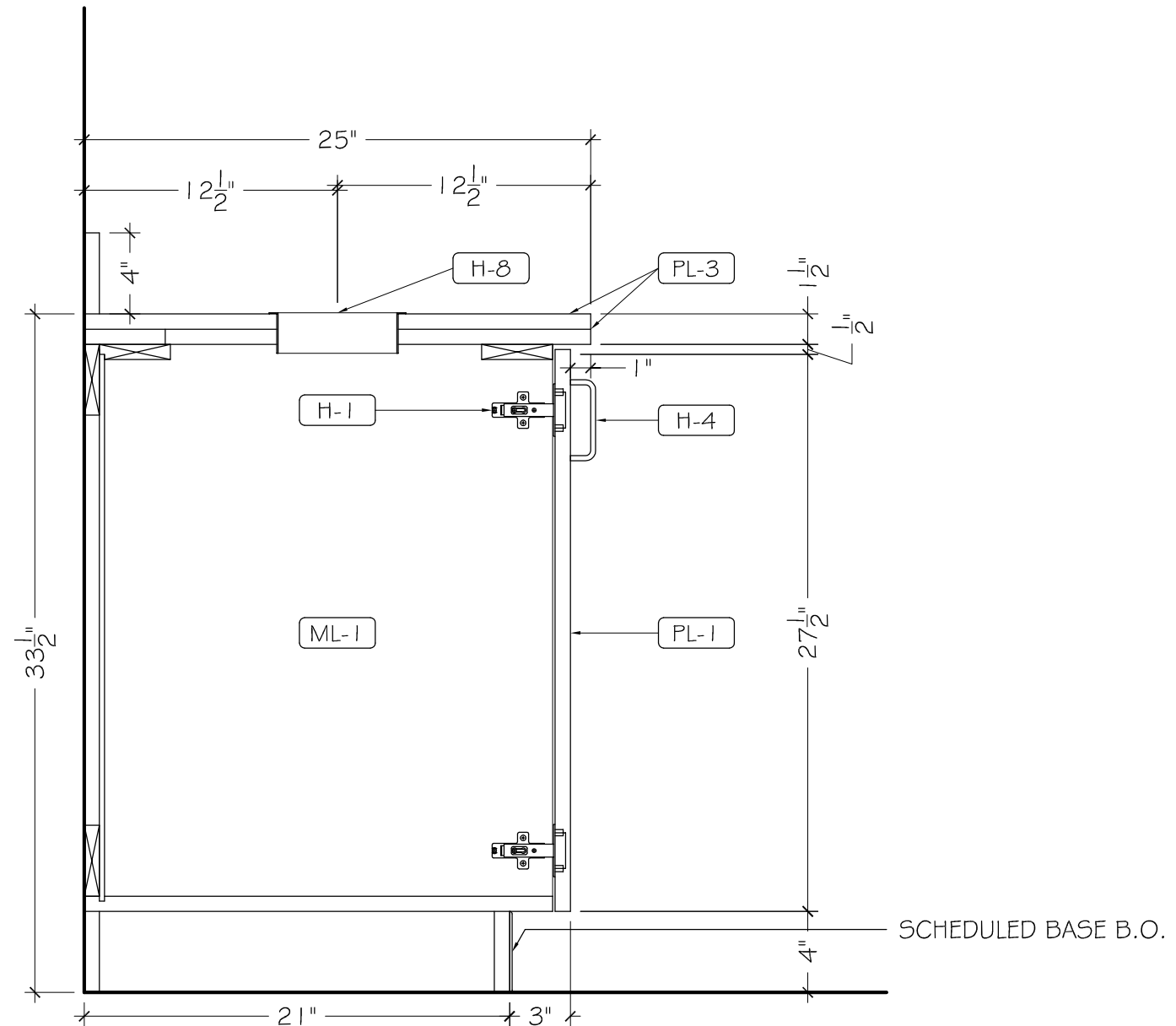


2 ELEVATION: EXAM ROOM #3 107
 SCALE: 3/4" = 1'-0"
 REF: 13/A-7.1

EXAM ROOM #3 107		
Scale:	Ref:	Drawn by: M.G.
Date: 4-12-17		Revised:
EDIFICE MEDICAL OFFICE BUILDING		Sheet Number: 3.1

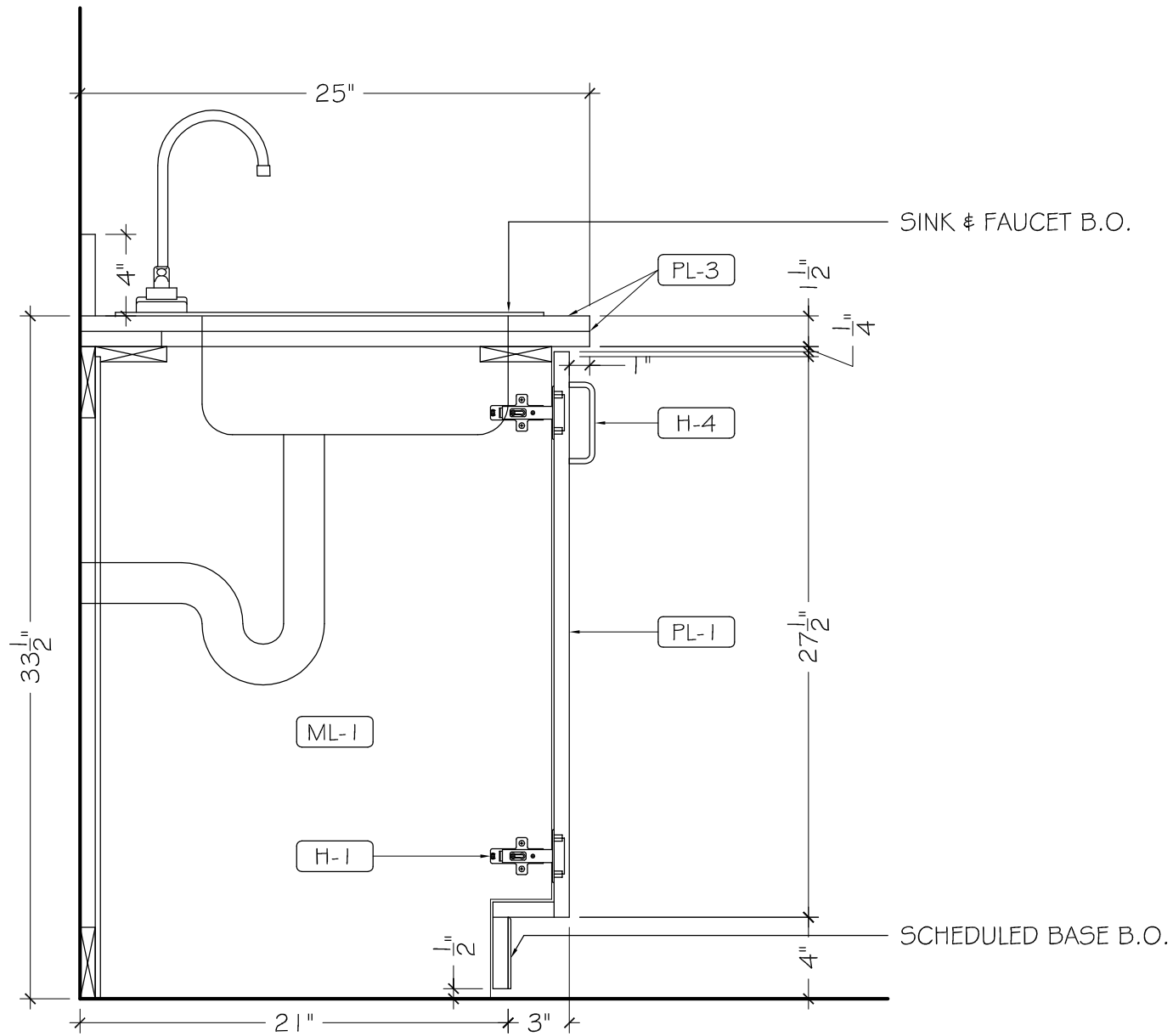


3 VERTICAL SECTION
 SCALE: 1-1/2" = 1'-0"
 REF: F/A-7.2

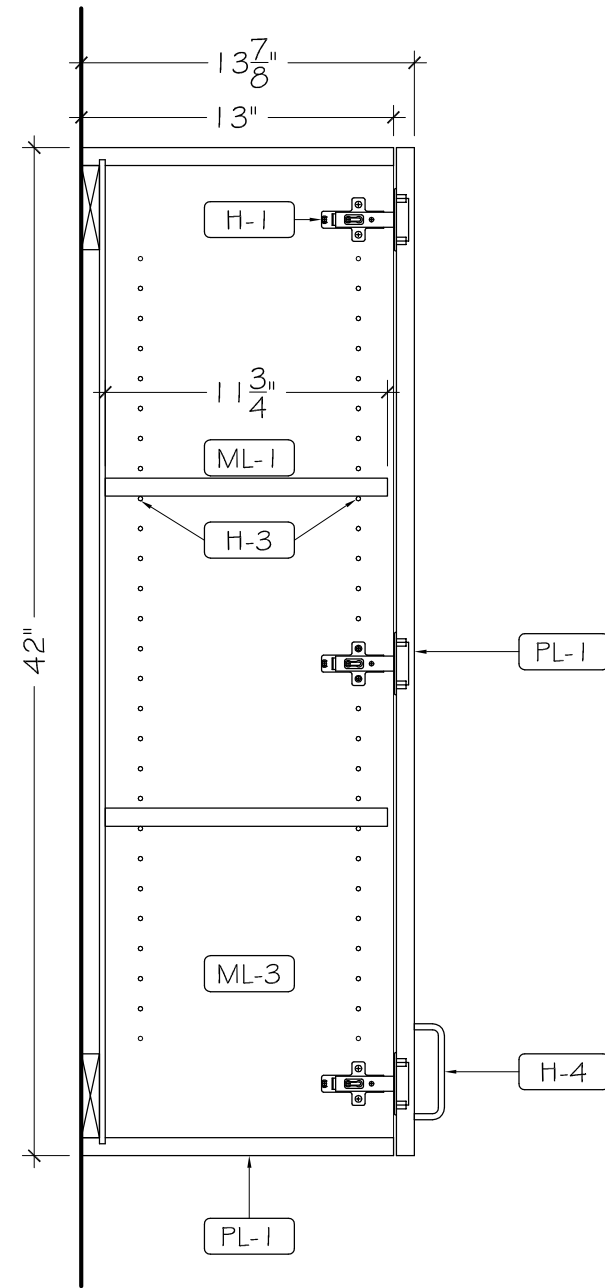


4 VERTICAL SECTION
 SCALE: 1-1/2" = 1'-0"
 REF: N/A

EXAM ROOM #3 107		
Scale:	Ref:	Drawn by: M.G.
Date: 4-12-17		Revised:
EDIFICE MEDICAL OFFICE BUILDING		Sheet Number: 3.2

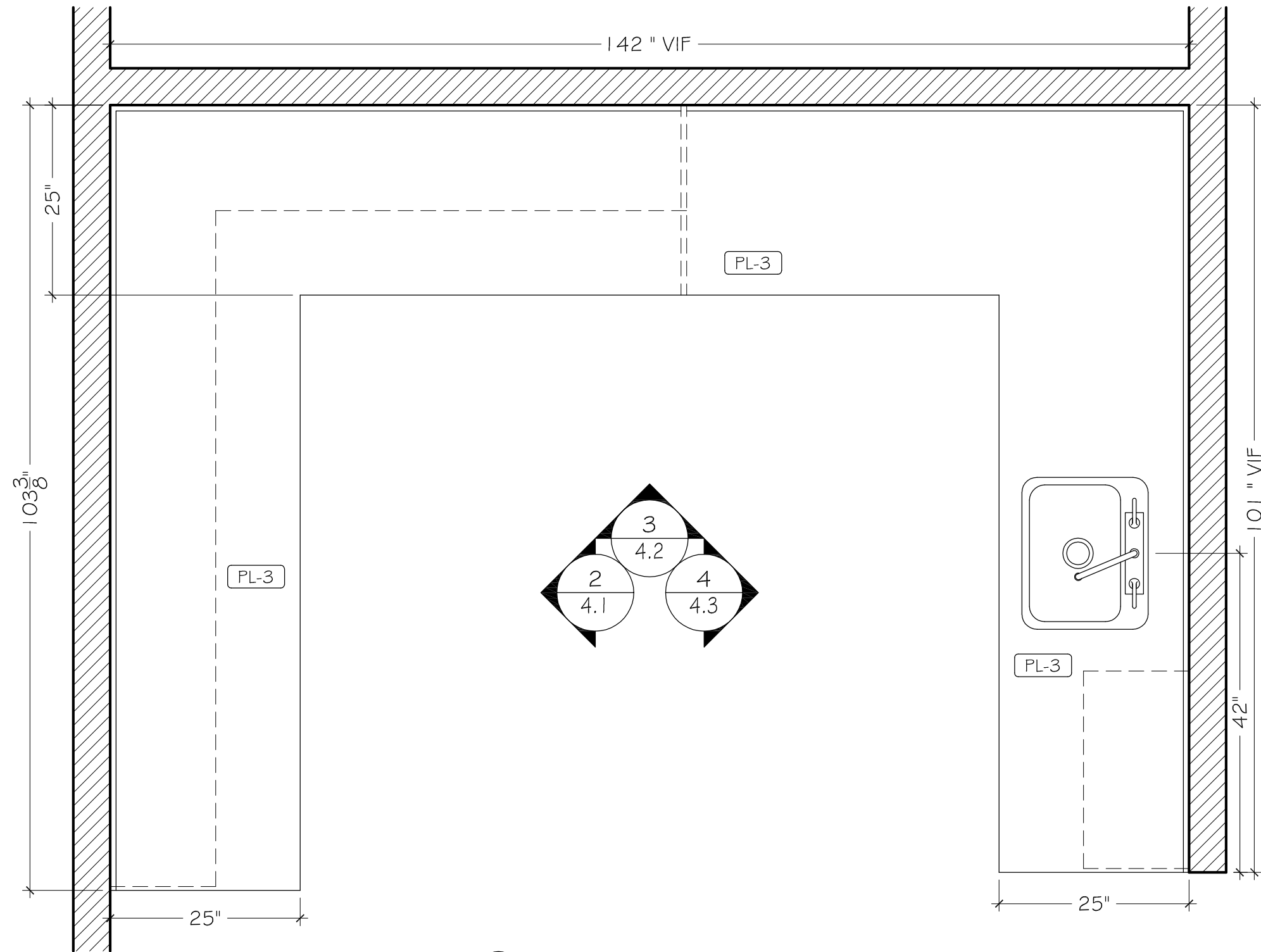


5 VERTICAL SECTION
 SCALE: 1-1/2" = 1'-0"
 REF: N/A



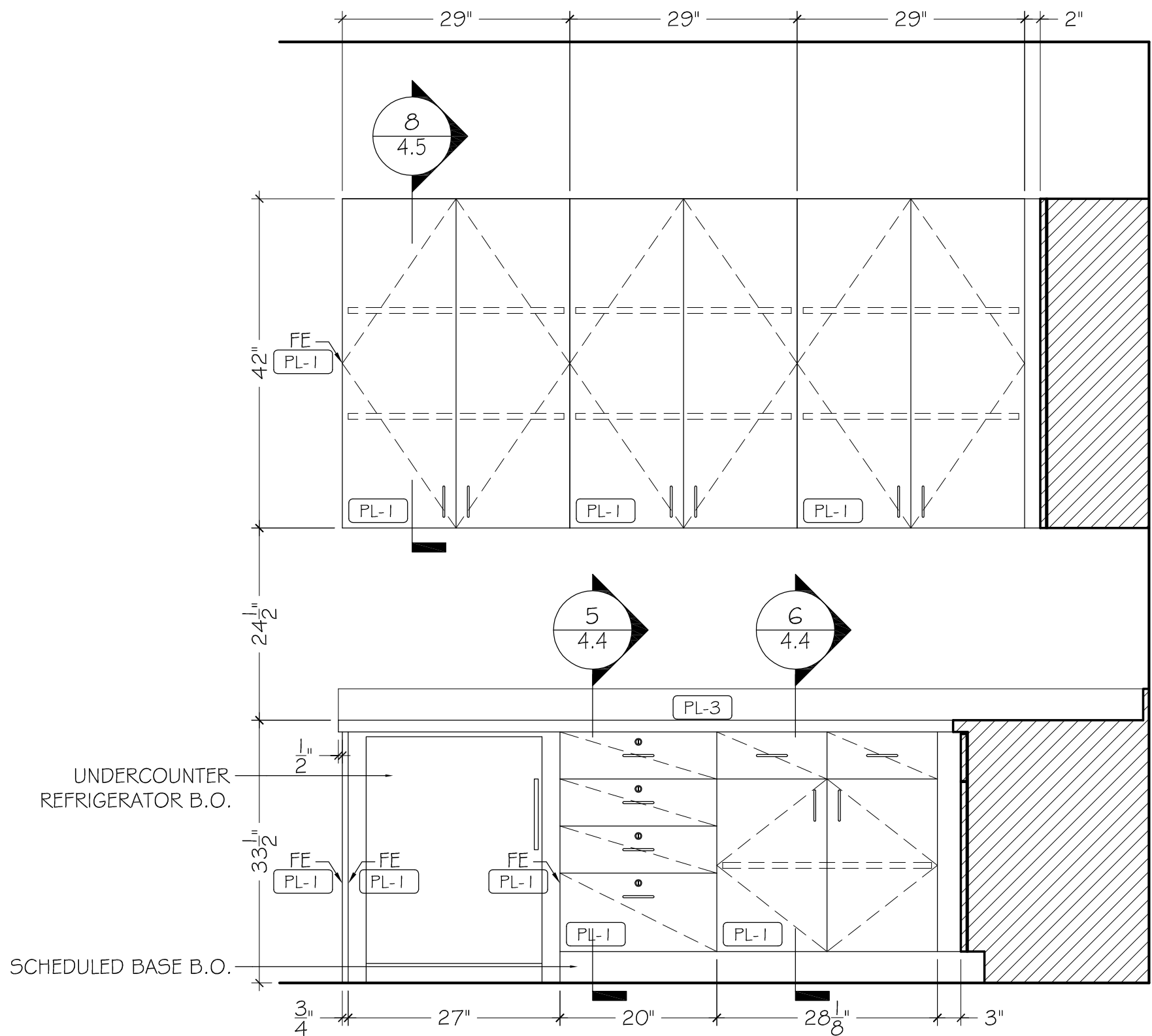
6 VERTICAL SECTION
 SCALE: 1-1/2" = 1'-0"
 REF: C/A-7.2

EXAM ROOM #3 107		
Scale:	Ref:	Drawn by: M.G.
Date: 4-12-17		Revised:
EDIFICE MEDICAL OFFICE BUILDING		Sheet Number: 3.3



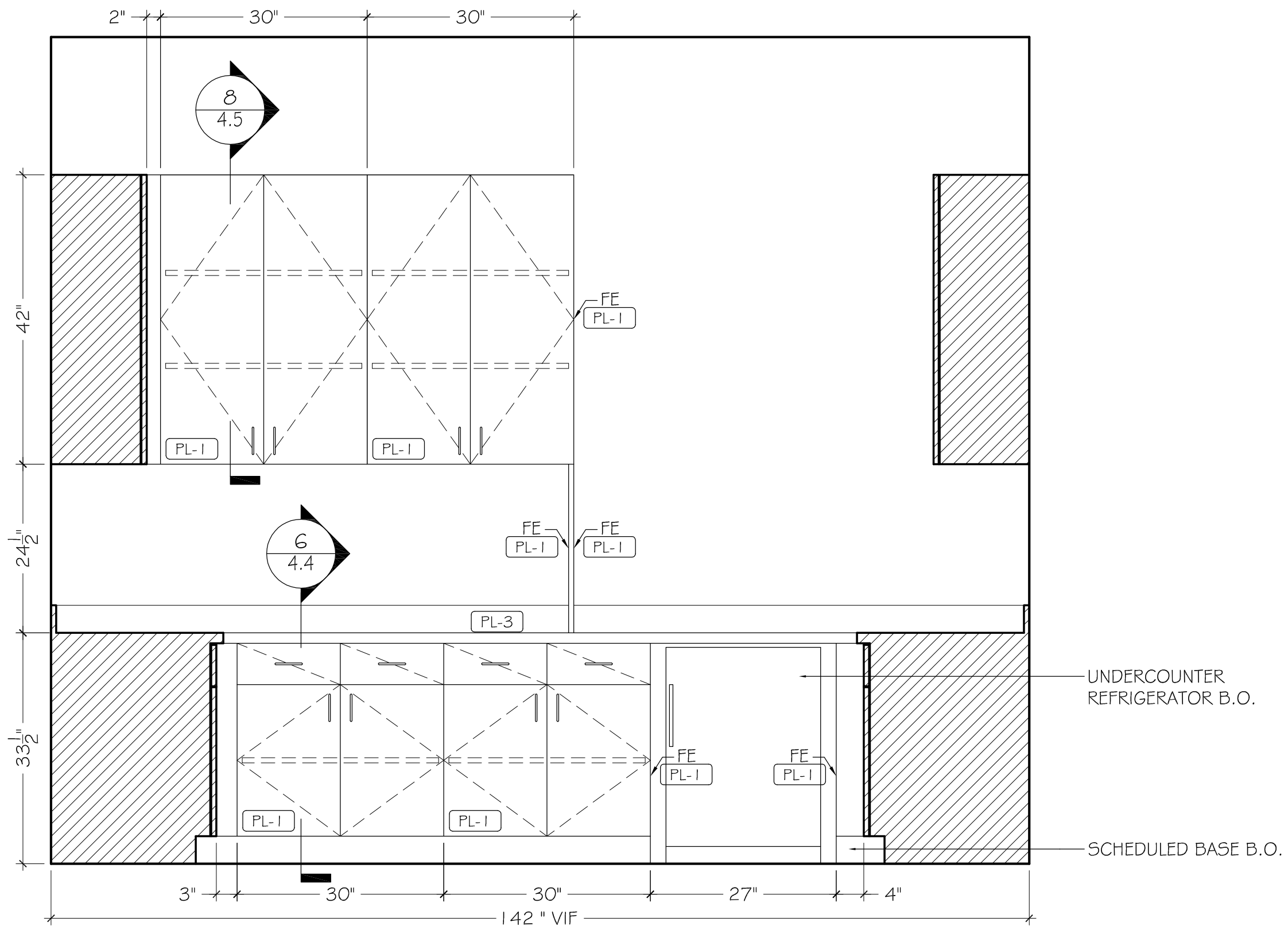
1 PLAN: LAB #1110
 SCALE: 3/4" = 1'-0"
 REF: A-2.0

LAB #1110		
Scale:	Ref:	Drawn by: M.G.
Date: 4-12-17		Revised:
EDIFICE MEDICAL OFFICE BUILDING		Sheet Number: 4.0



2 ELEVATION: LAB #1110
 SCALE: 3/4" = 1'-0"
 REF: 7/A-7.0

LAB #1110		Drawn by: M.G.
Scale:	Ref:	Revised:
Date: 4-12-17		
EDIFICE MEDICAL OFFICE BUILDING		Sheet Number: 4.1

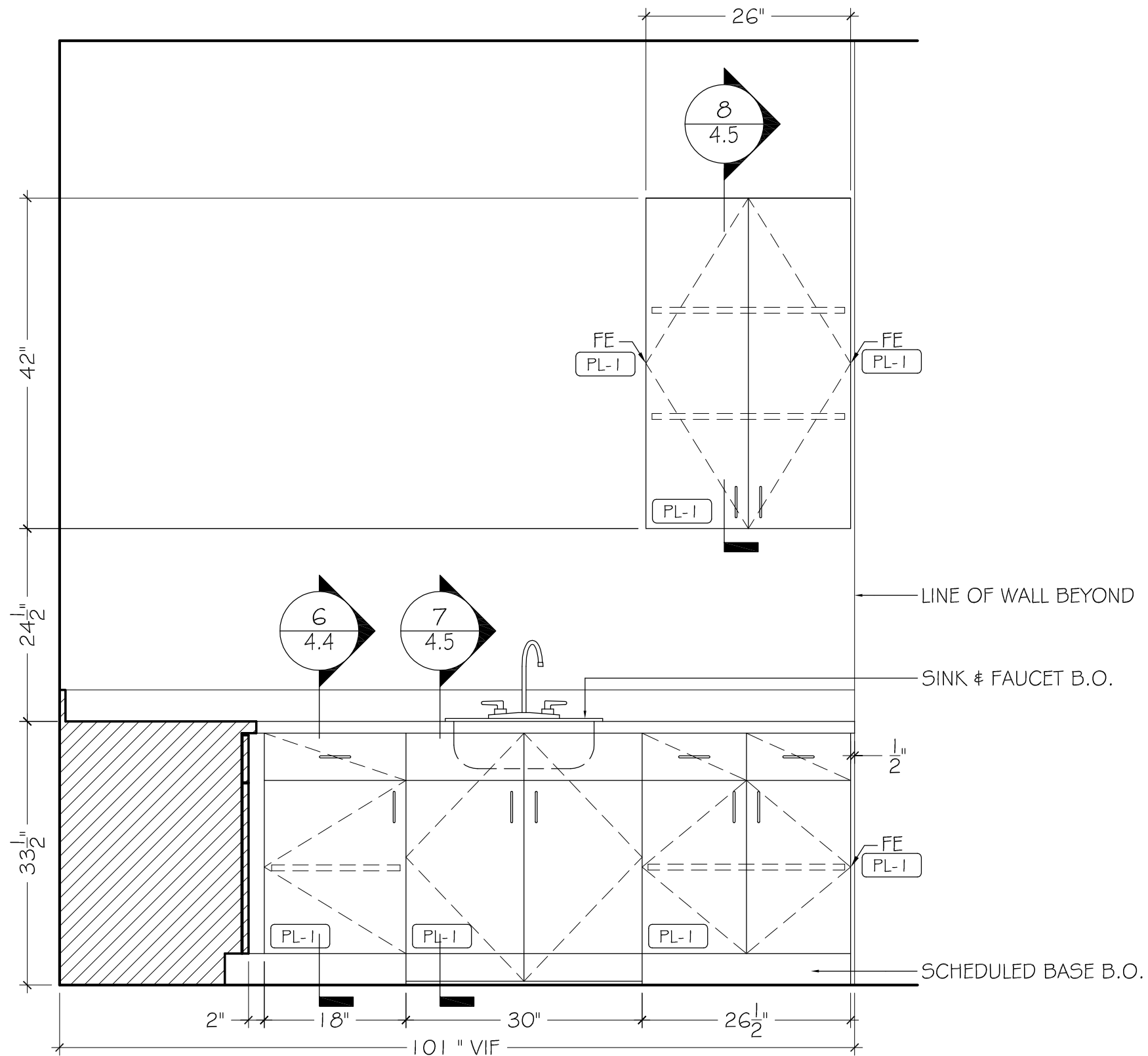


UNDERCOUNTER
REFRIGERATOR B.O.

SCHEDULED BASE B.O.

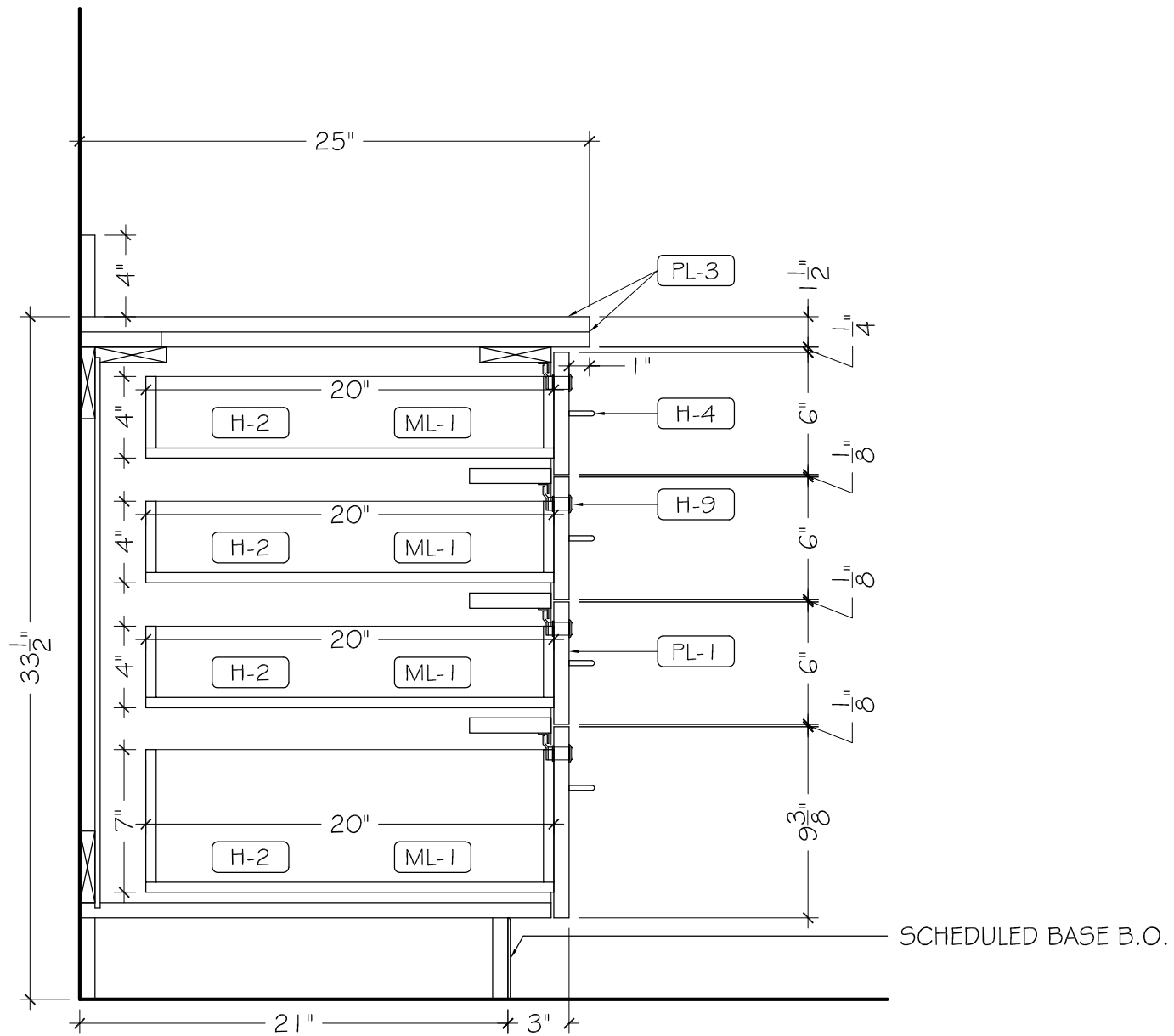
3 ELEVATION: LAB #1110
SCALE: 3/4" = 1'-0"
REF: G/A-7.0

LAB #1110		Drawn by: M.G.
Scale:	Ref:	Revised:
Date: 4-12-17		
EDIFICE MEDICAL OFFICE BUILDING		Sheet Number: 4.2

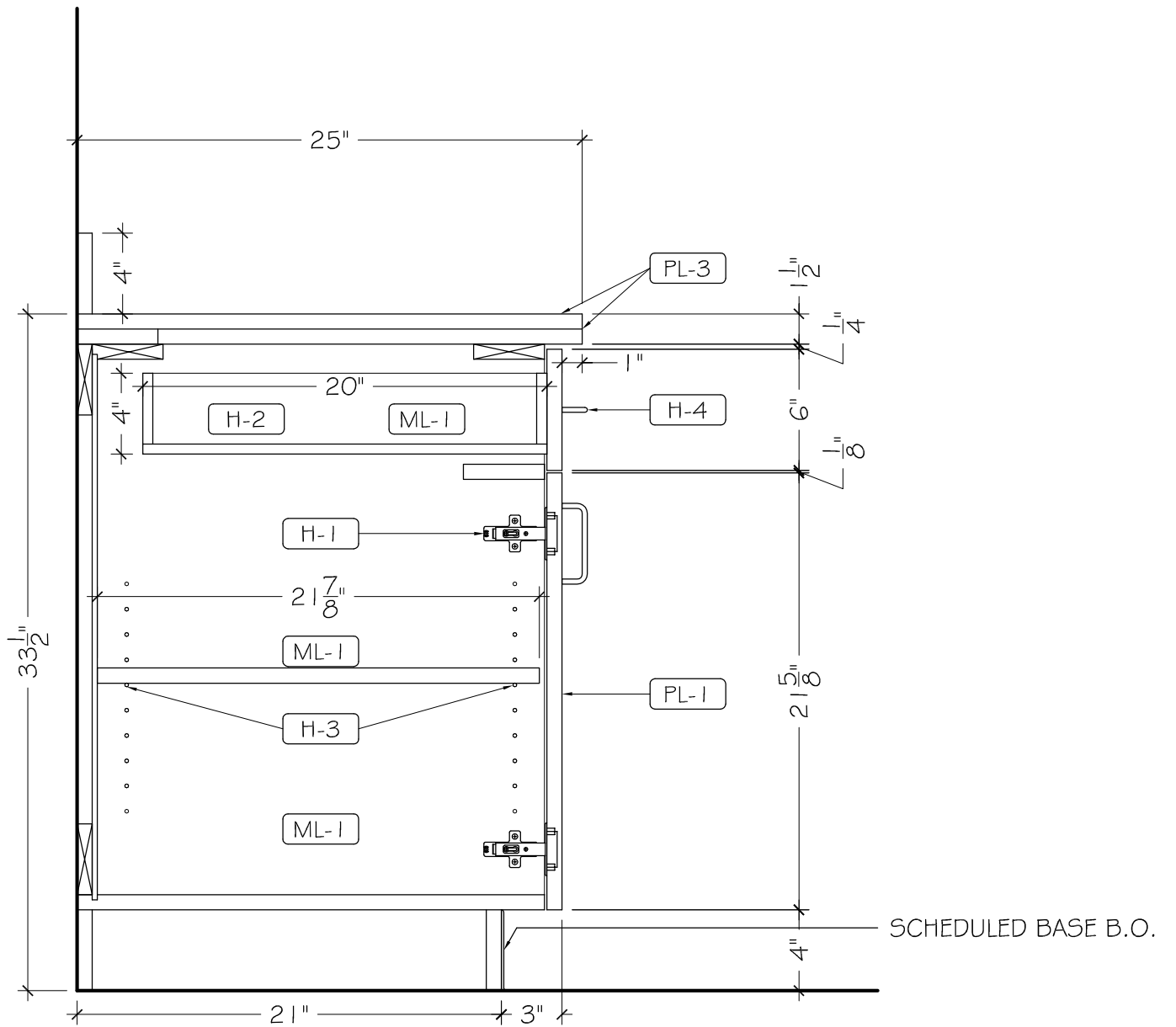


4 ELEVATION: LAB #1110
 SCALE: 3/4" = 1'-0"
 REF: 5/A-7.0

LAB #1110		Drawn by: M.G.
Scale:	Ref:	Revised:
Date: 4-12-17		
EDIFICE MEDICAL OFFICE BUILDING		Sheet Number: 4.3

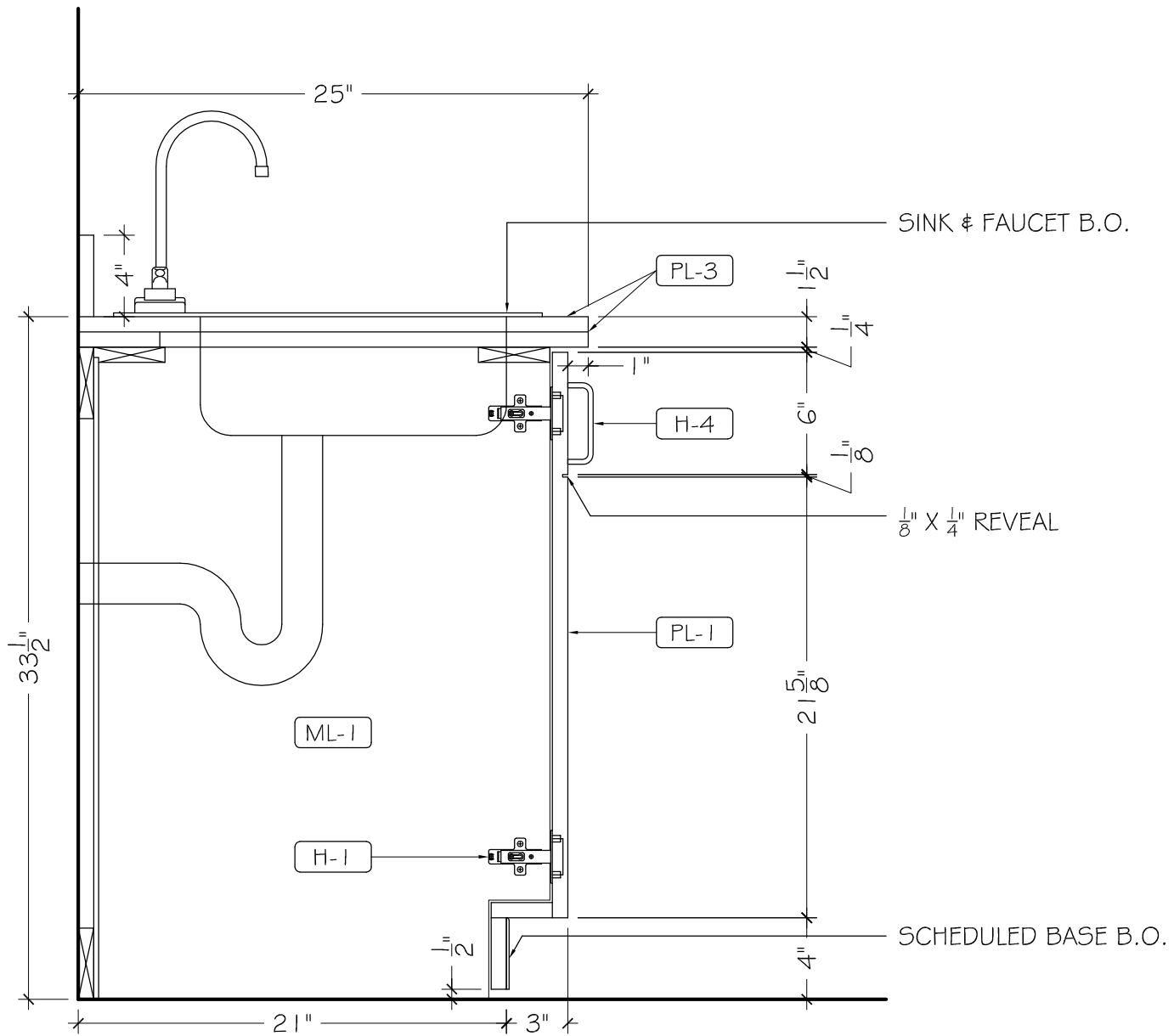


5 VERTICAL SECTION
 SCALE: 1-1/2" = 1'-0"
 REF: N/A

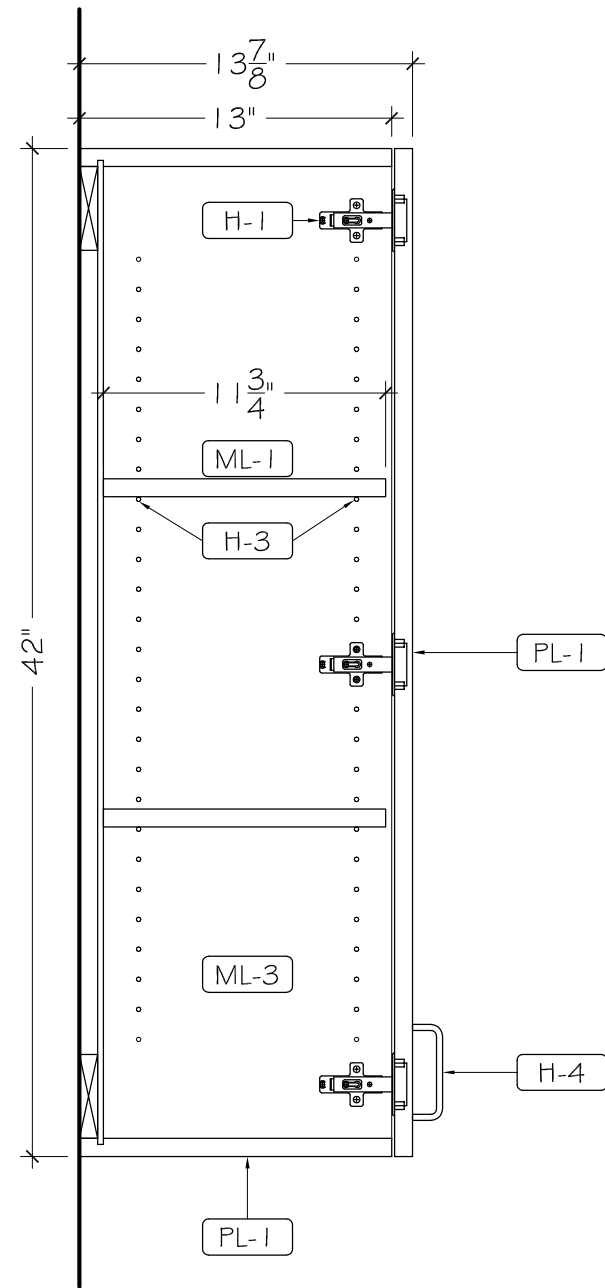


6 VERTICAL SECTION
 SCALE: 1-1/2" = 1'-0"
 REF: B/A-7.2

LAB #1110		Drawn by: M.G.
Scale:	Ref:	Revised:
Date: 4-12-17		
EDIFICE MEDICAL OFFICE BUILDING		Sheet Number: 4.4



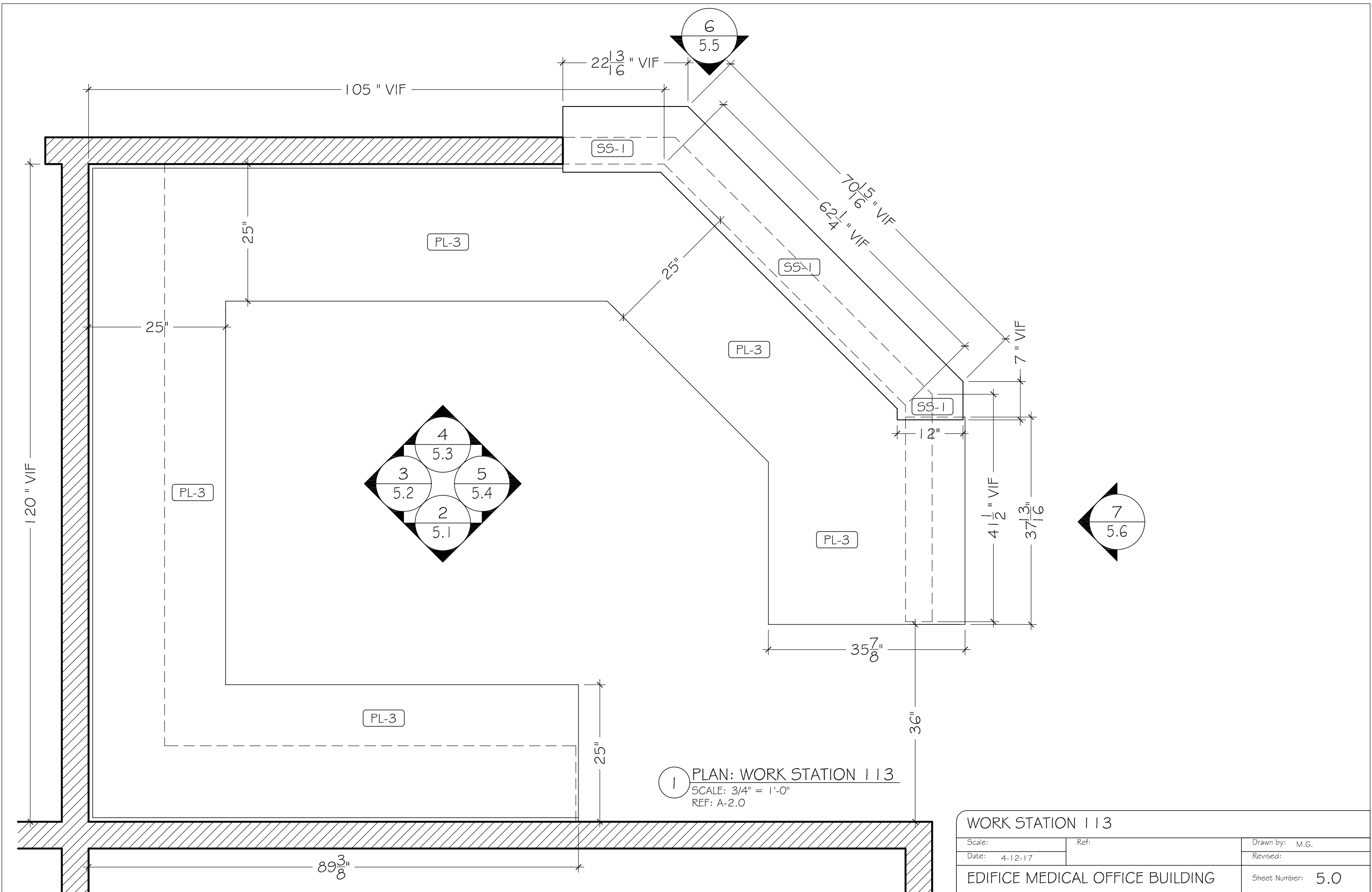
7 VERTICAL SECTION
 SCALE: 1-1/2" = 1'-0"
 REF: A/A-7.2



8 VERTICAL SECTION
 SCALE: 1-1/2" = 1'-0"
 REF: C/A-7.2

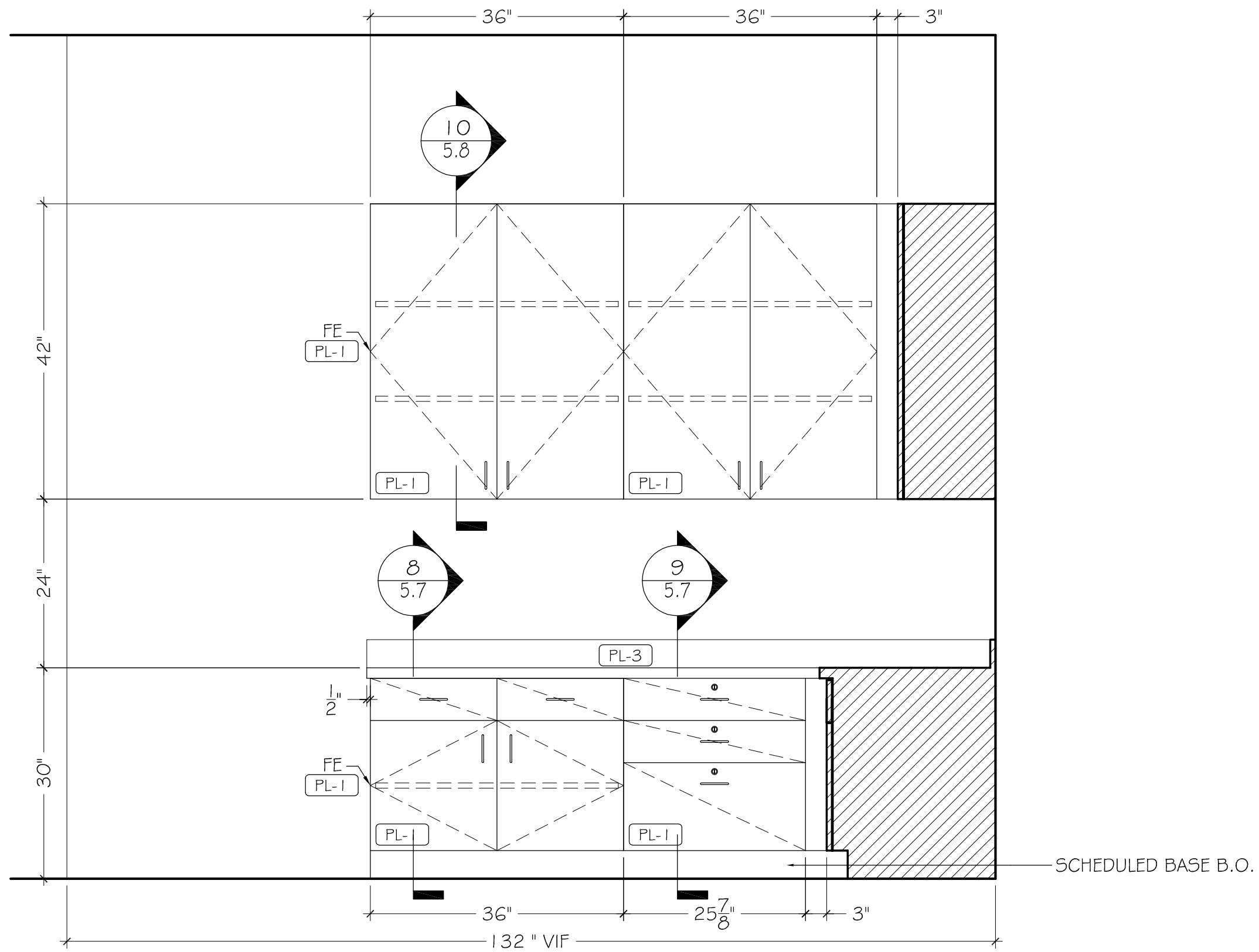
LAB # 1 1 1 0

Scale:	Ref:	Drawn by: M.G.
Date: 4-12-17		Revised:
EDIFICE MEDICAL OFFICE BUILDING		Sheet Number: 4.5



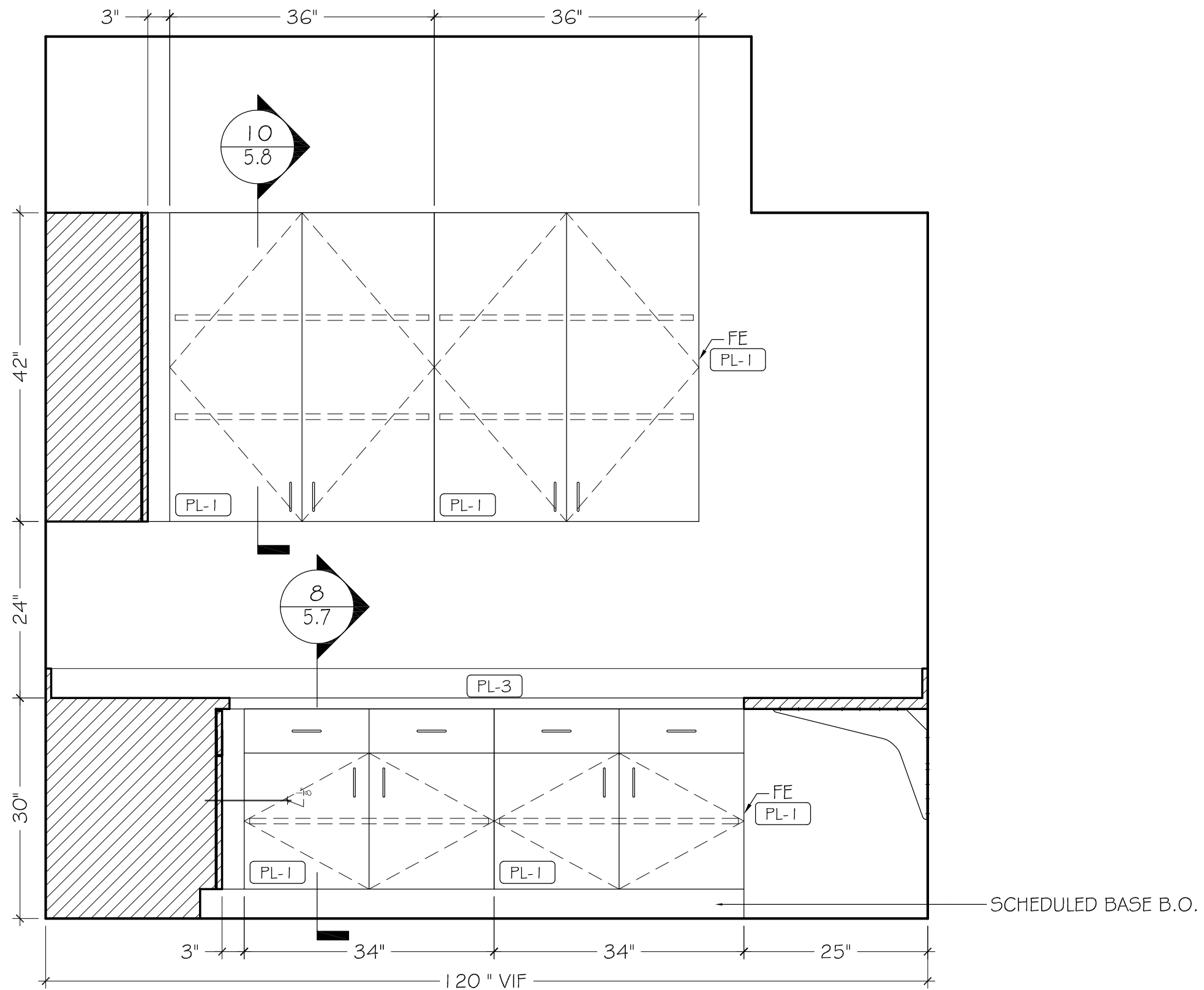
1 PLAN: WORK STATION 113
 SCALE: 3/4" = 1'-0"
 REF: A-2.0

WORK STATION 113		
Scale:	Ref:	Drawn by: M.G.
Date: 4-12-17		Revised:
EDIFICE MEDICAL OFFICE BUILDING		Sheet Number: 5.0



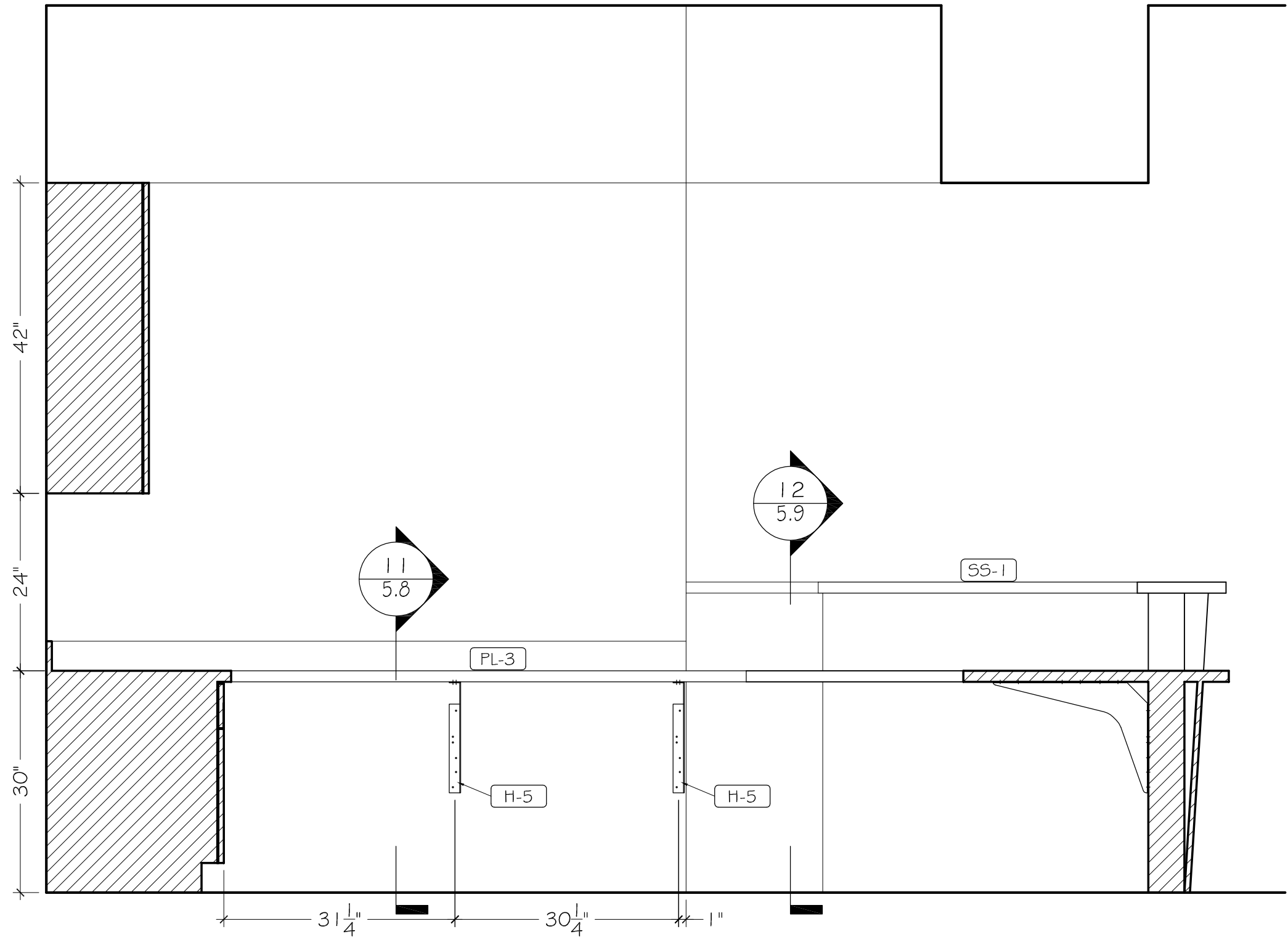
2 ELEVATION: WORK STATION 113
 SCALE: 3/4" = 1'-0"
 REF: 10/A-7.0

WORK STATION 113		Drawn by: M.G.
Scale:	Ref:	Revised:
Date: 4-12-17		
EDIFICE MEDICAL OFFICE BUILDING		Sheet Number: 5.1



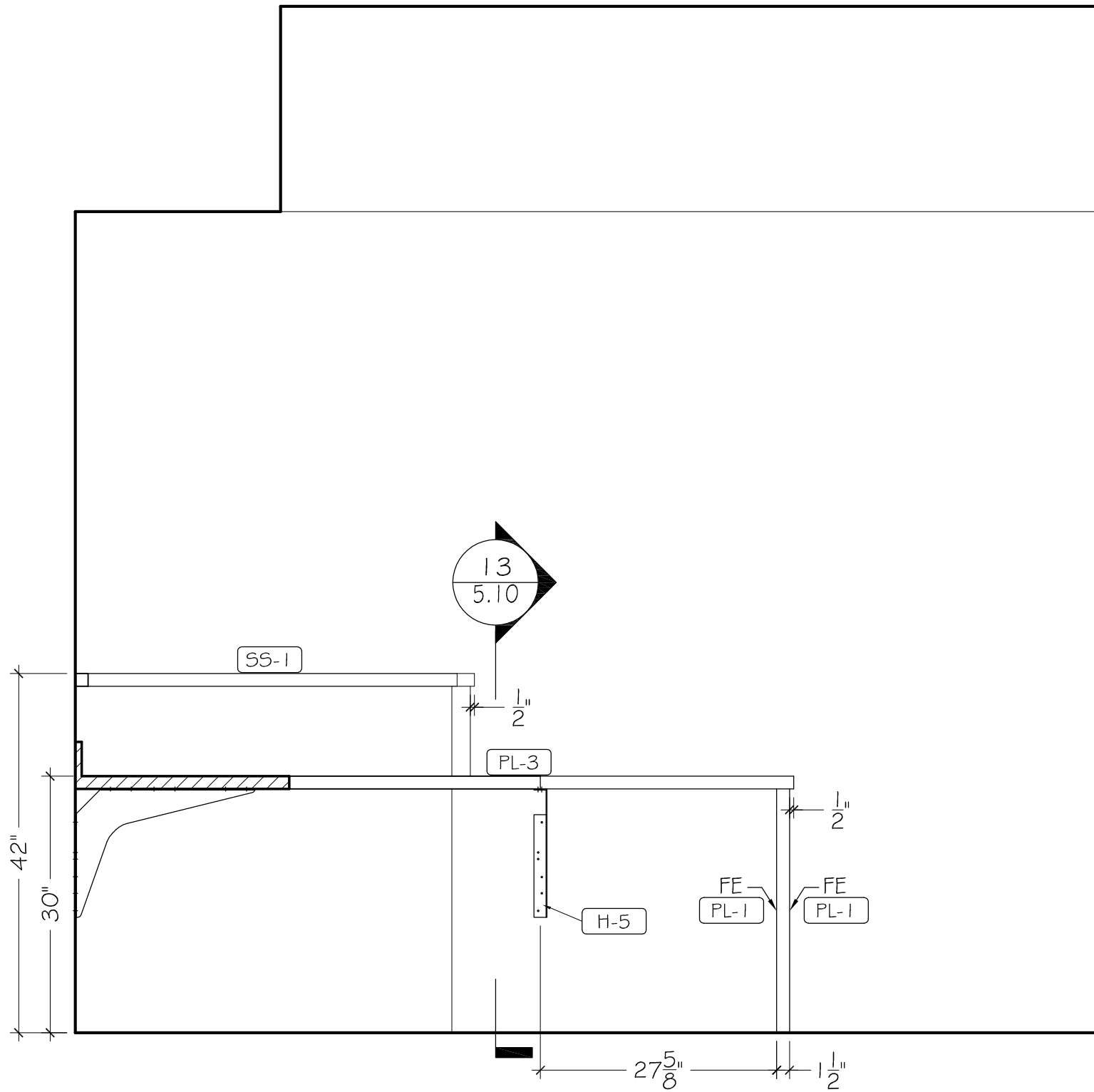
3 ELEVATION: WORK STATION 113
 SCALE: 3/4" = 1'-0"
 REF: 111/A-7.0

WORK STATION 113		Drawn by: M.G.
Scale:	Ref:	Revised:
Date: 4-12-17		
EDIFICE MEDICAL OFFICE BUILDING		Sheet Number: 5.2



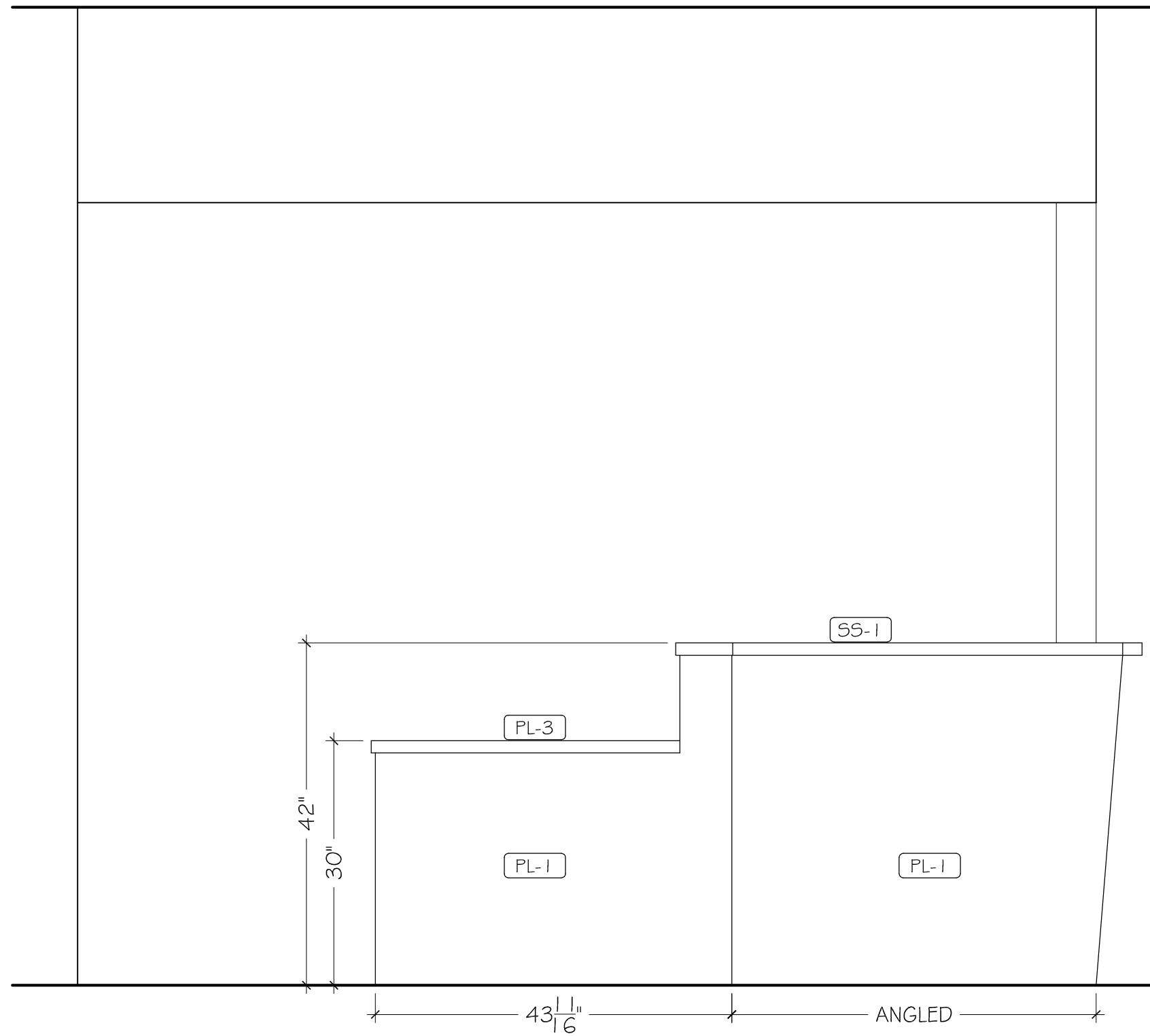
4 ELEVATION: WORK STATION 113
 SCALE: 3/4" = 1'-0"
 REF: 12/A-7.0

WORK STATION 113		Drawn by: M.G.
Scale:	Ref:	Revised:
Date: 4-12-17		
EDIFICE MEDICAL OFFICE BUILDING		Sheet Number: 5.3



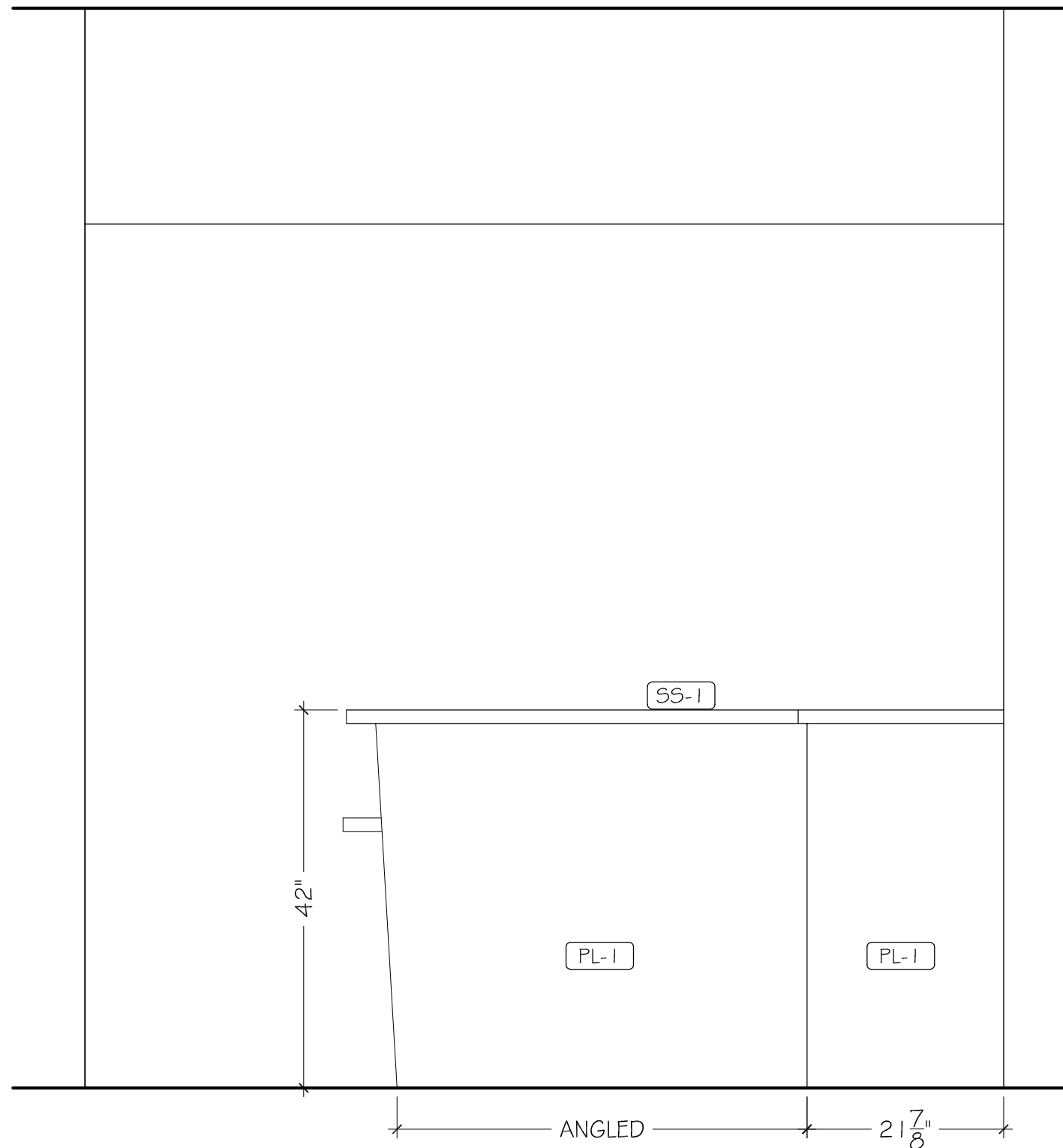
5 ELEVATION: WORK STATION 113
 SCALE: 3/4" = 1'-0"
 REF: 9/A-7.0

WORK STATION 113		Drawn by: M.G.
Scale:	Ref:	Revised:
Date: 4-12-17		
EDIFICE MEDICAL OFFICE BUILDING		Sheet Number: 5.4



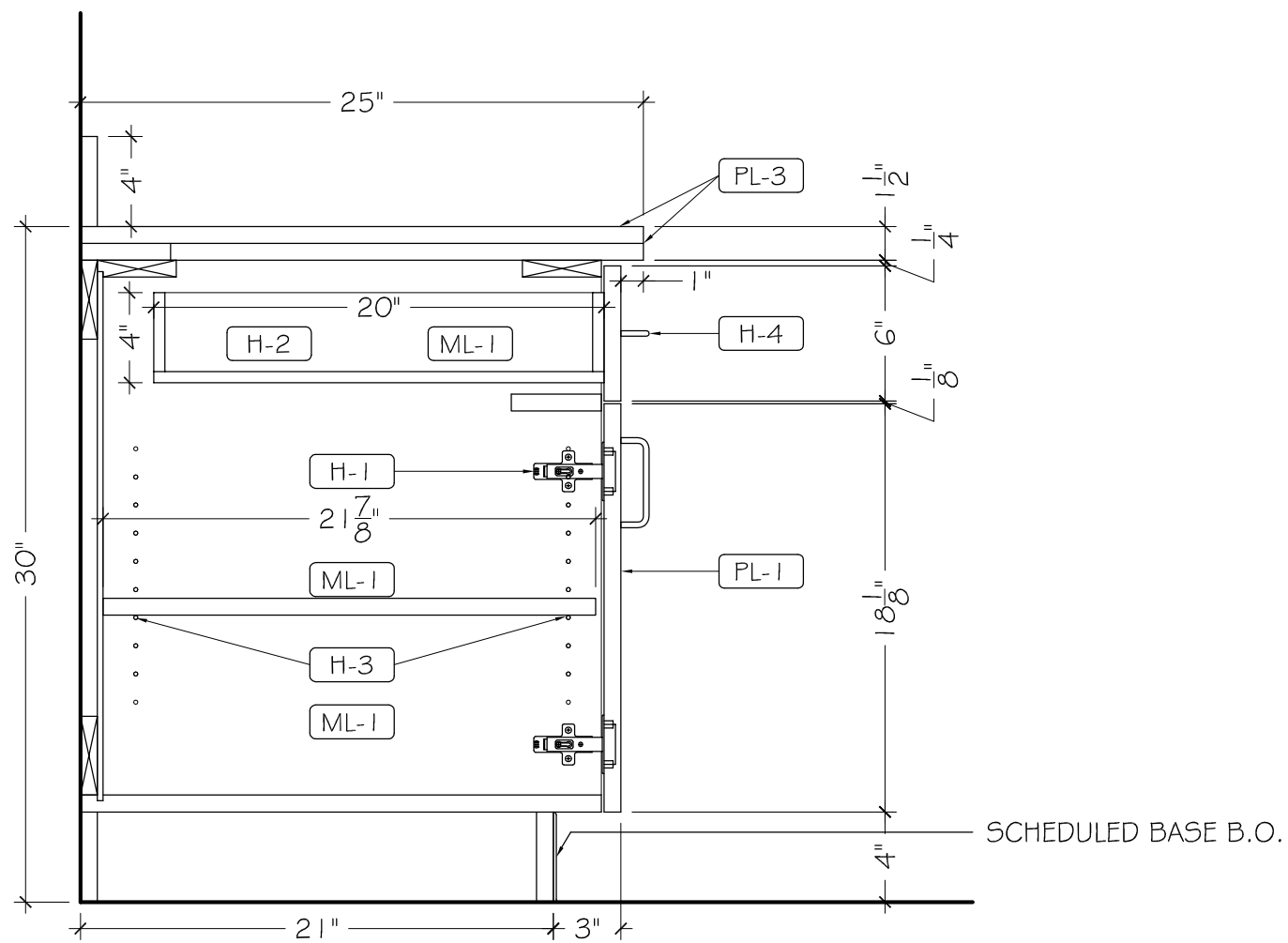
6 ELEVATION: WORK STATION 113
 SCALE: 3/4" = 1'-0"
 REF: 8/A-7.0

WORK STATION 113		Drawn by: M.G.
Scale:	Ref:	Revised:
Date: 4-12-17		
EDIFICE MEDICAL OFFICE BUILDING		Sheet Number: 5.5

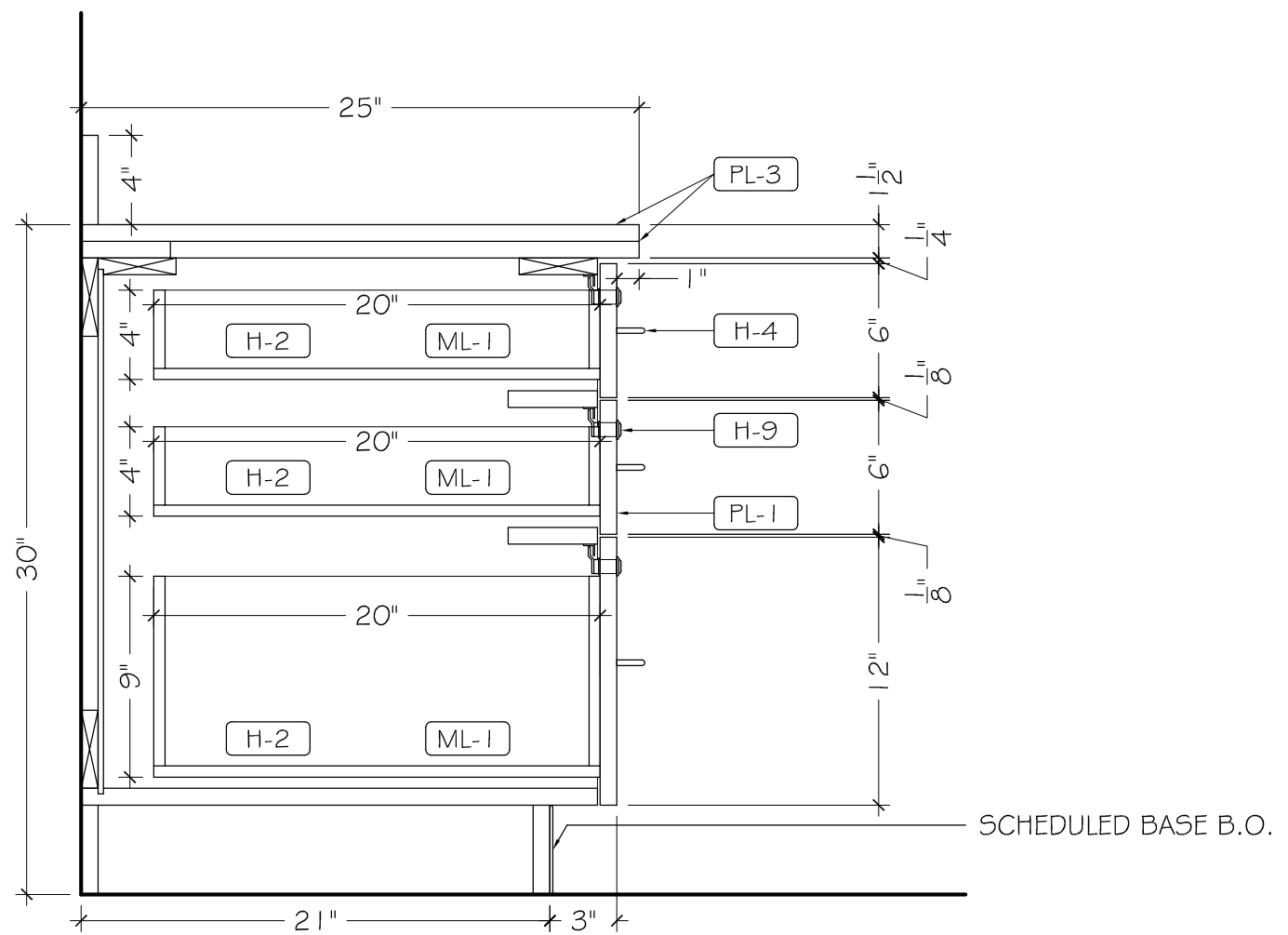


7 ELEVATION: WORK STATION 113
 SCALE: 3/4" = 1'-0"
 REF: N/A

WORK STATION 113		Drawn by: M.G.
Scale:	Ref:	Revised:
Date: 4-12-17		
EDIFICE MEDICAL OFFICE BUILDING		Sheet Number: 5.6

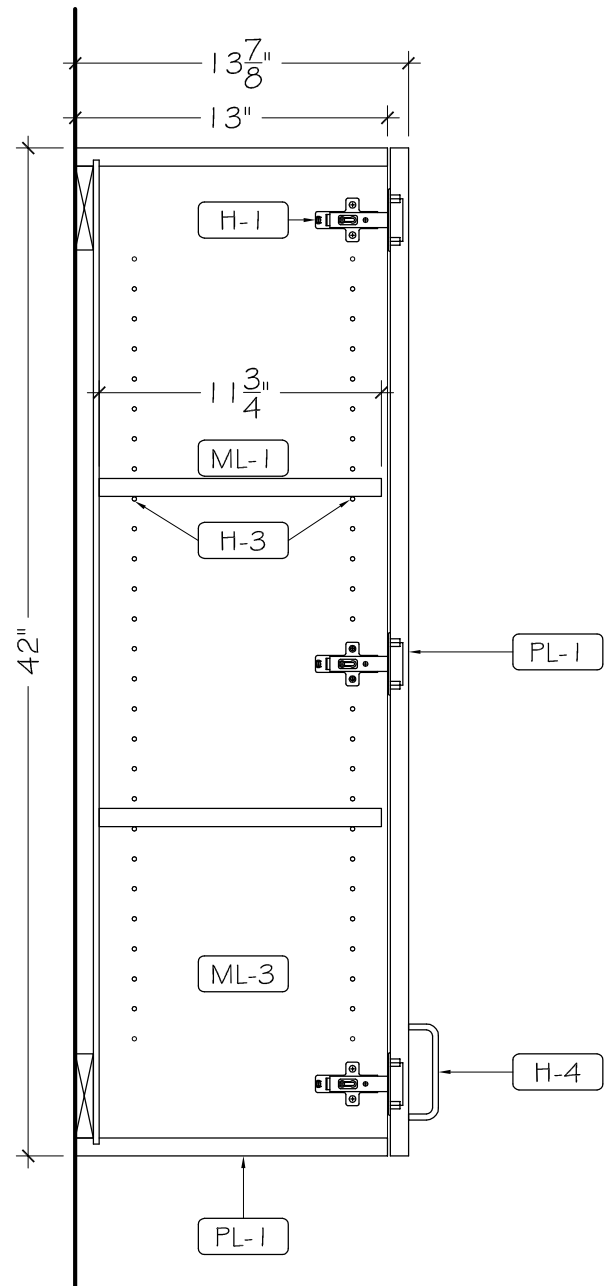


8 VERTICAL SECTION
 SCALE: 1-1/2" = 1'-0"
 REF: B/A-7.2

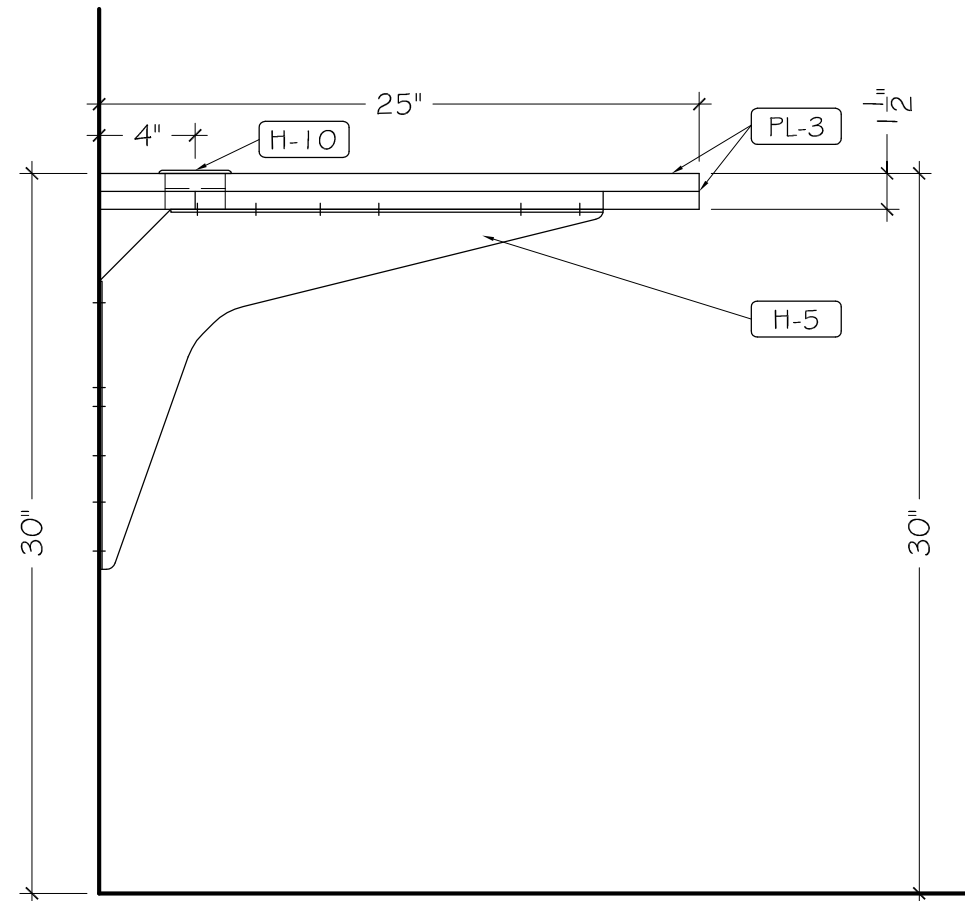


9 VERTICAL SECTION
 SCALE: 1-1/2" = 1'-0"
 REF: N/A

WORK STATION 113		
Scale:	Ref:	Drawn by: M.G.
Date: 4-12-17		Revised:
EDIFICE MEDICAL OFFICE BUILDING		Sheet Number: 5.7

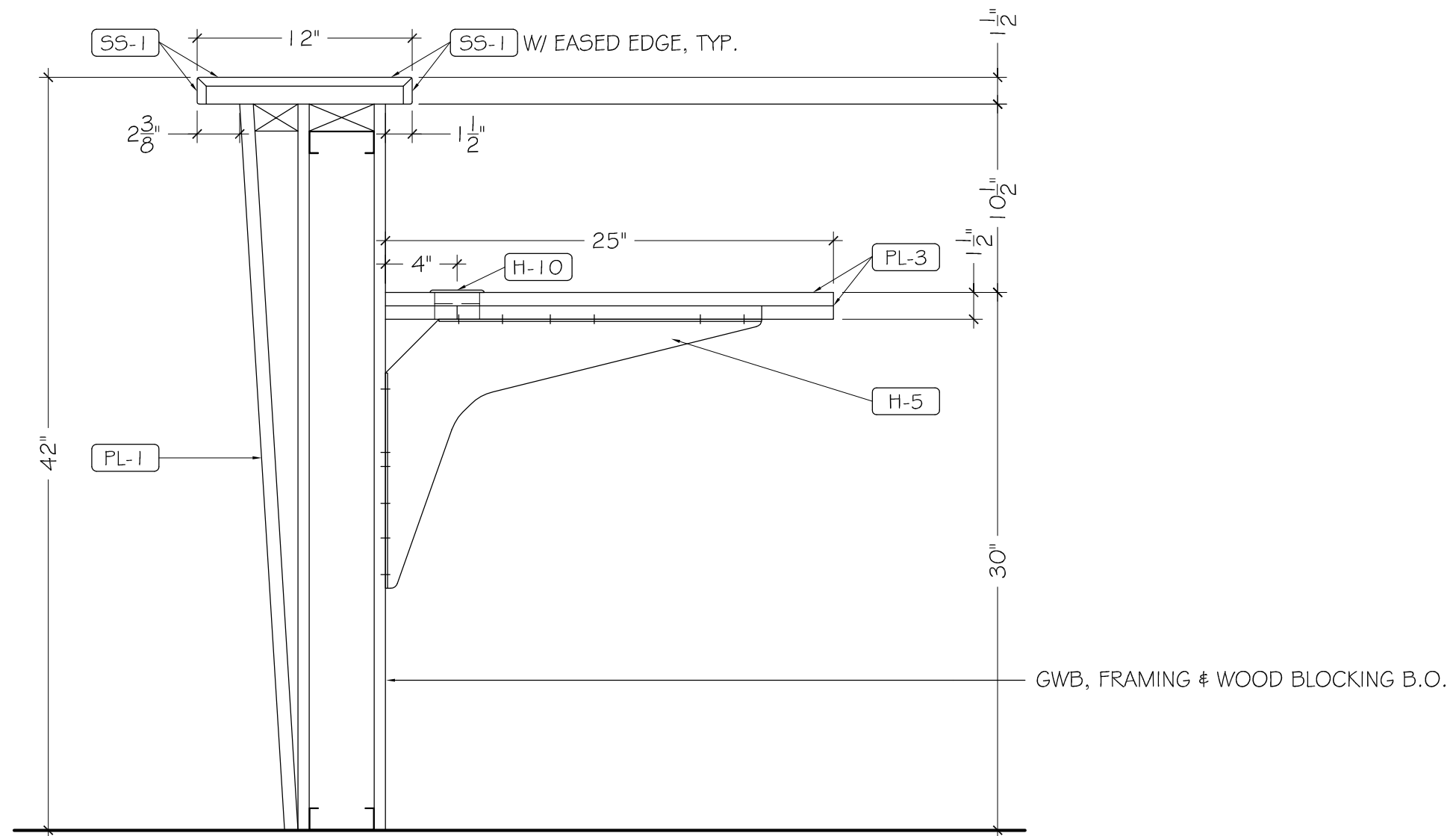


10 VERTICAL SECTION
 SCALE: 1-1/2" = 1'-0"
 REF: C/A-7.2



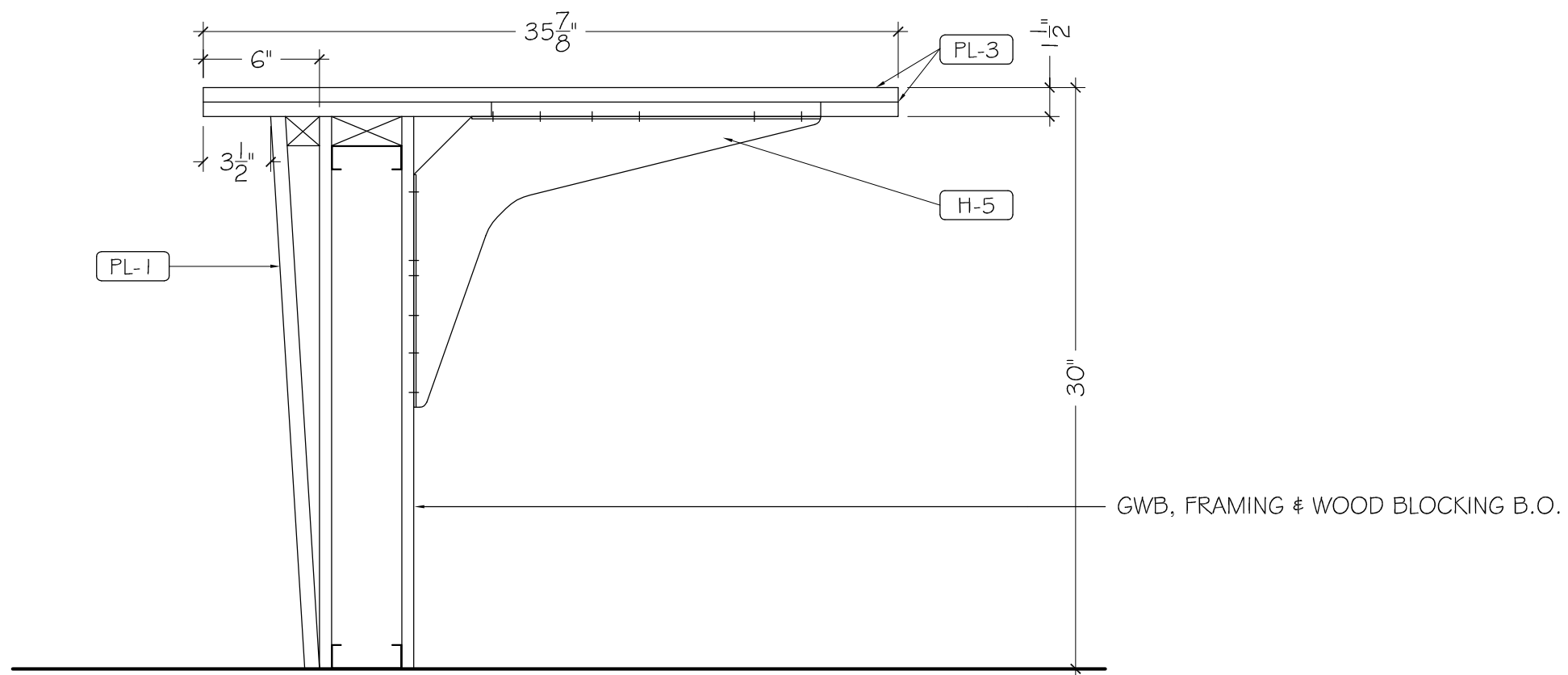
11 VERTICAL SECTION
 SCALE: 1-1/2" = 1'-0"
 REF: F/A-7.2

WORK STATION 113		
Scale:	Ref:	Drawn by: M.G.
Date: 4-12-17		Revised:
EDIFICE MEDICAL OFFICE BUILDING		Sheet Number: 5.8



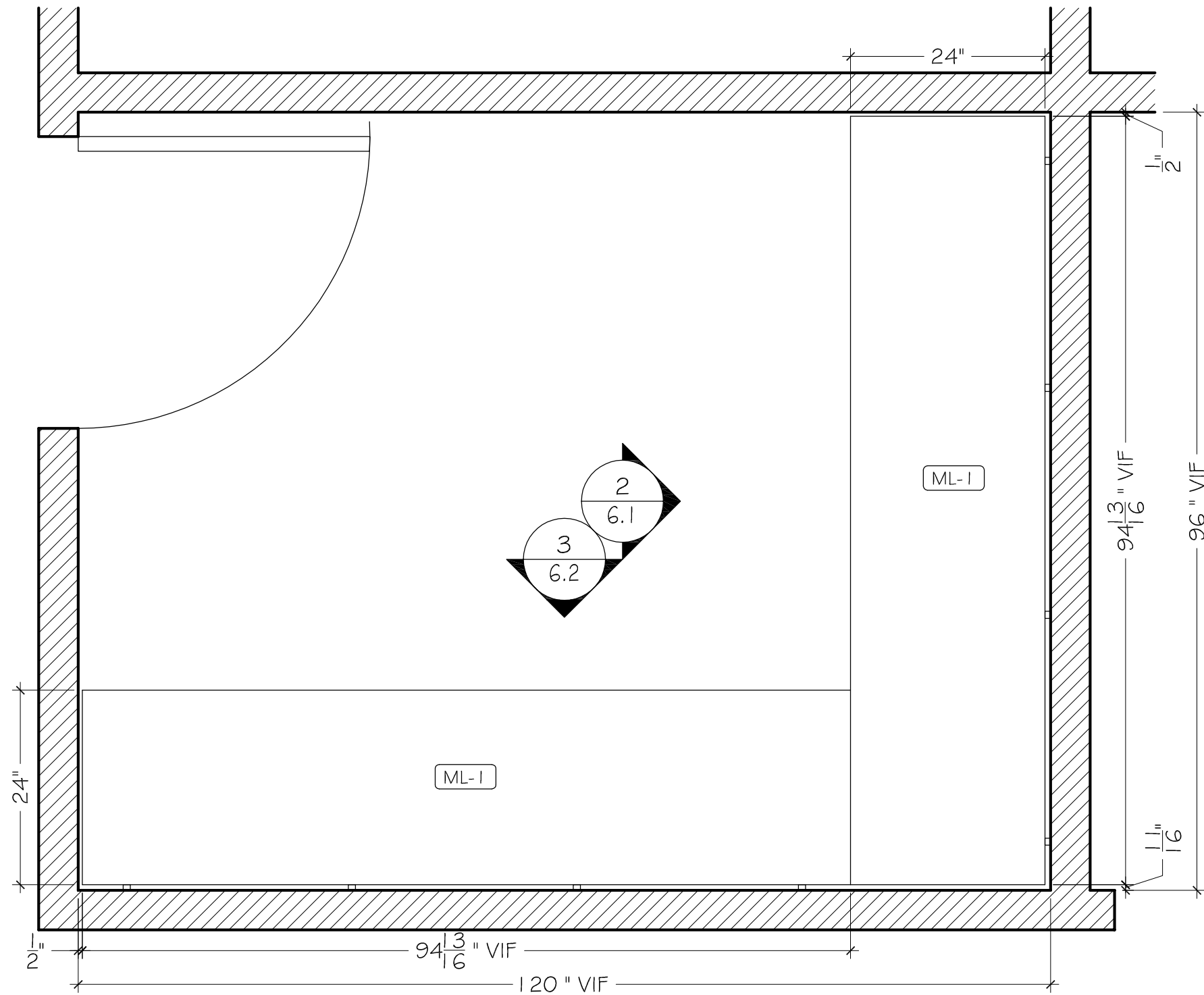
12 VERTICAL SECTION
 SCALE: 1-1/2" = 1'-0"
 REF: G/A-7.2

WORK STATION 113		
Scale:	Ref:	Drawn by: M.G.
Date: 4-12-17		Revised:
EDIFICE MEDICAL OFFICE BUILDING		Sheet Number: 5.9



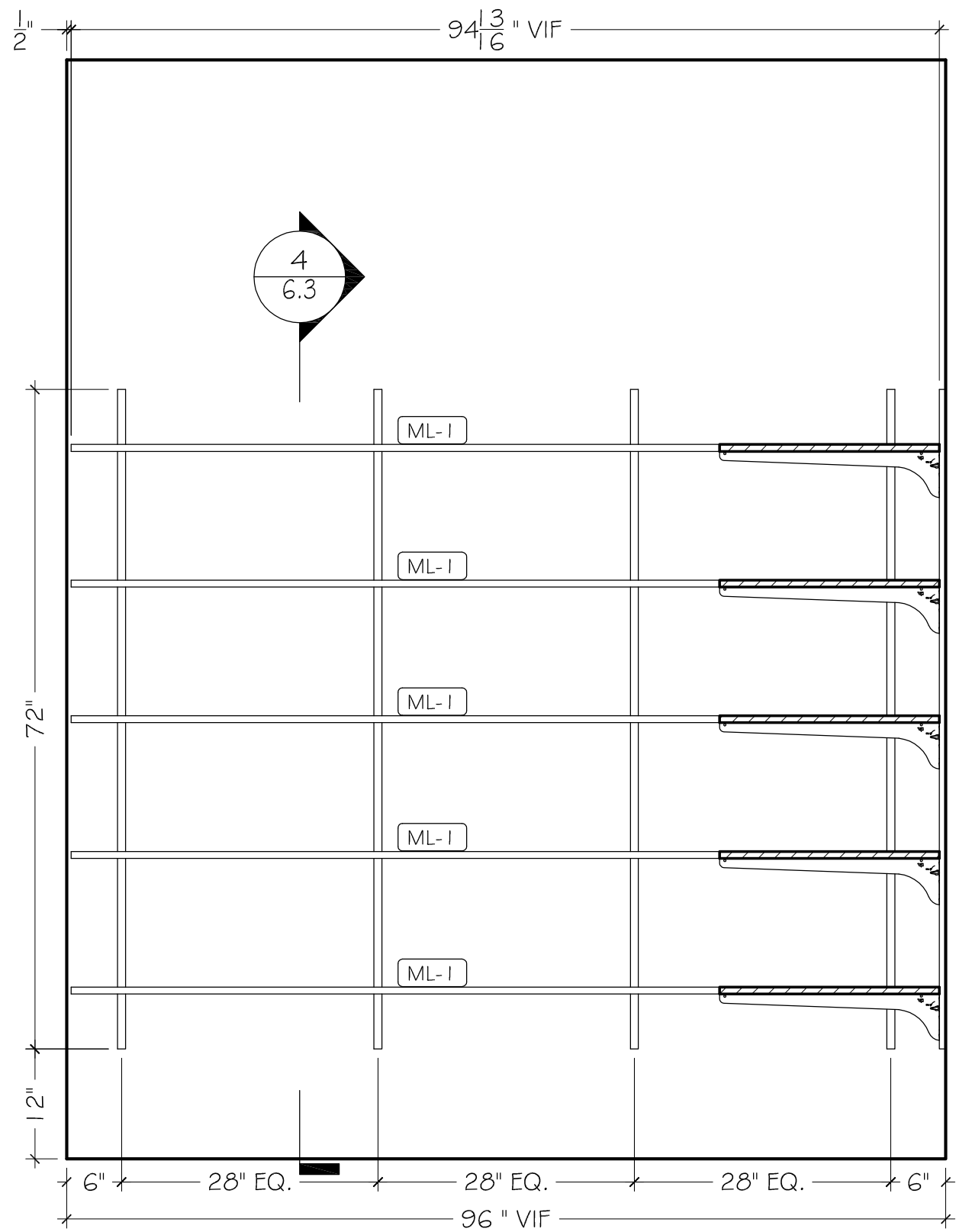
13 VERTICAL SECTION
 SCALE: 1-1/2" = 1'-0"
 REF: H/A-7.2

WORK STATION 113		
Scale:	Ref:	Drawn by: M.G.
Date: 4-12-17		Revised:
EDIFICE MEDICAL OFFICE BUILDING		Sheet Number: 5.10



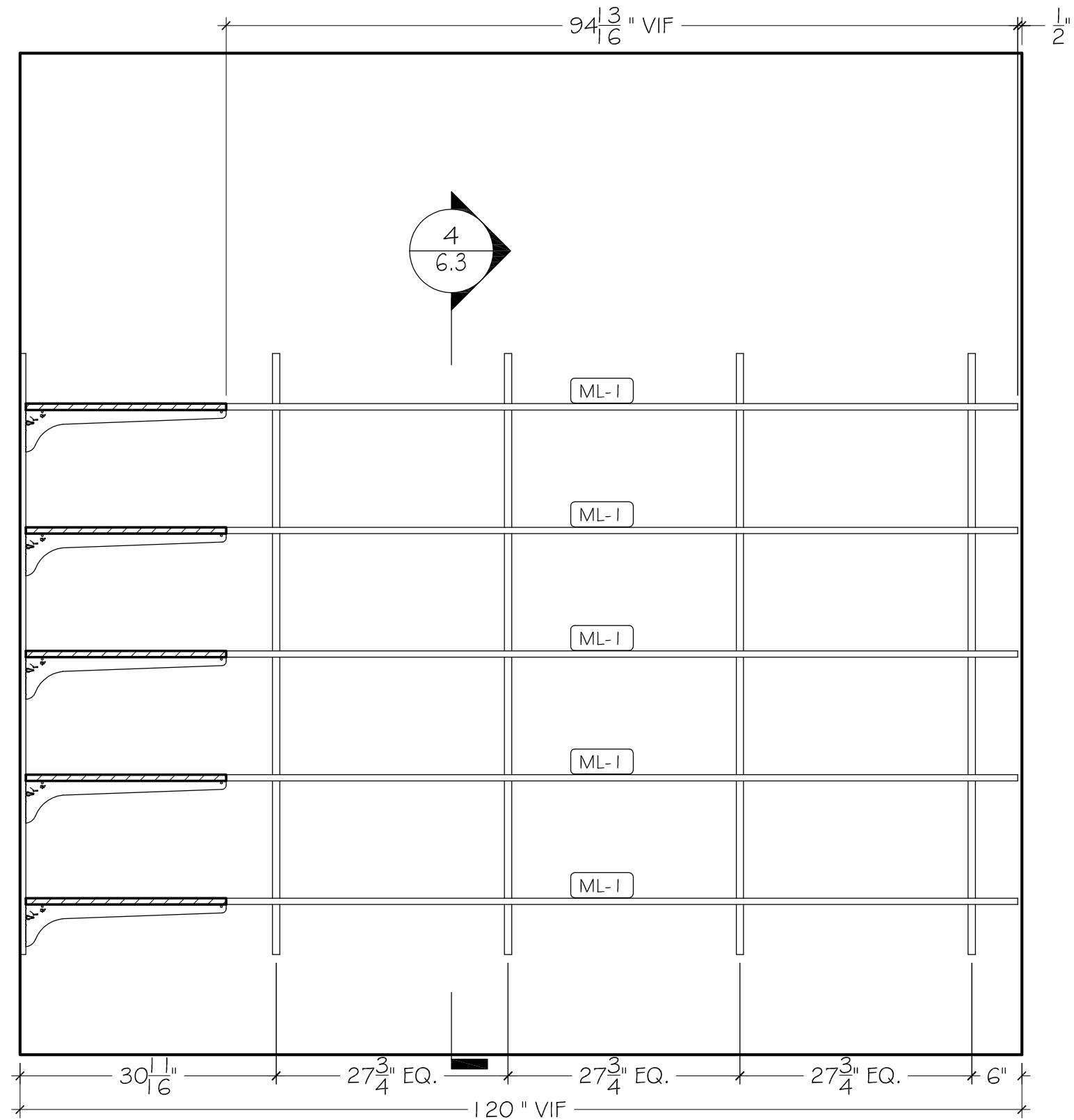
1 PLAN: STORAGE 114
 SCALE: 3/4" = 1'-0"
 REF: A-2.0

STORAGE 114		
Scale:	Ref:	Drawn by: M.G.
Date: 4-12-17		Revised:
EDIFICE MEDICAL OFFICE BUILDING		Sheet Number: 6.0



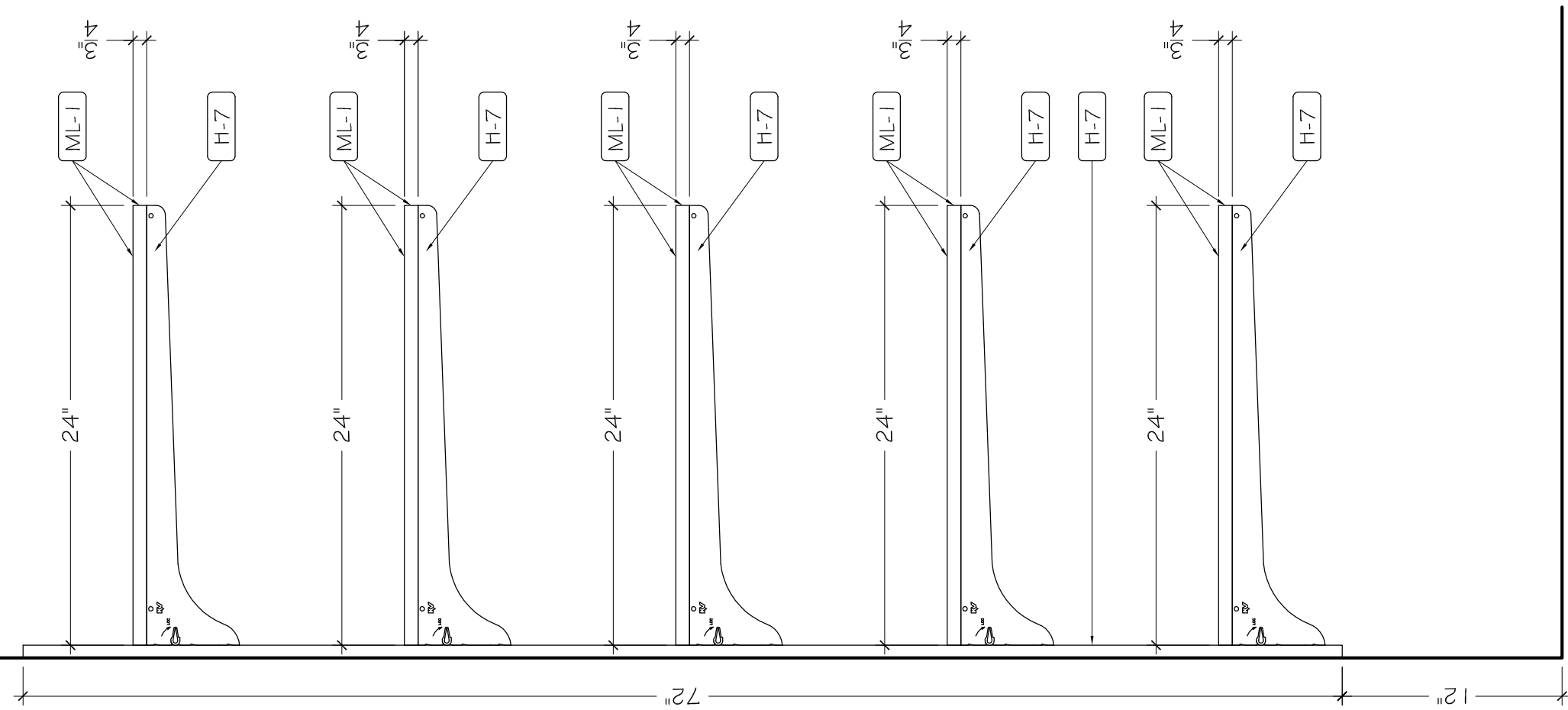
2 ELEVATION: STORAGE 114
 SCALE: 3/4" = 1'-0"
 REF: N/A

STORAGE 114		Drawn by: M.G.
Scale:	Ref:	Revised:
Date: 4-12-17		
EDIFICE MEDICAL OFFICE BUILDING		Sheet Number: 6.1



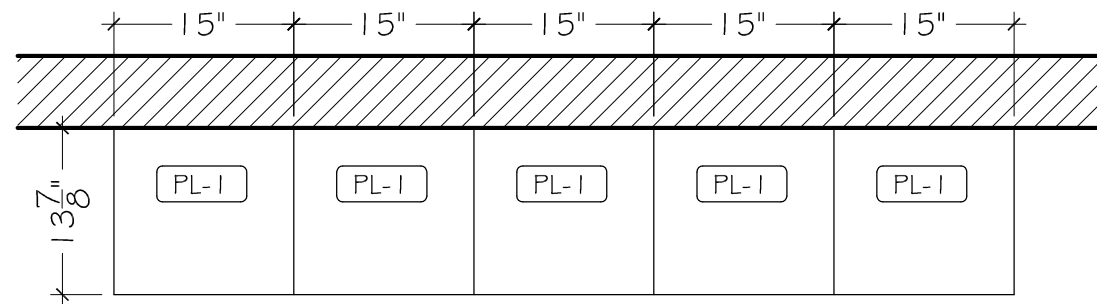
3 ELEVATION: STORAGE 114
 SCALE: 3/4" = 1'-0"
 REF: N/A

STORAGE 114		Drawn by: M.G.
Scale:	Ref:	Revised:
Date: 4-12-17		
EDIFICE MEDICAL OFFICE BUILDING		Sheet Number: 6.2



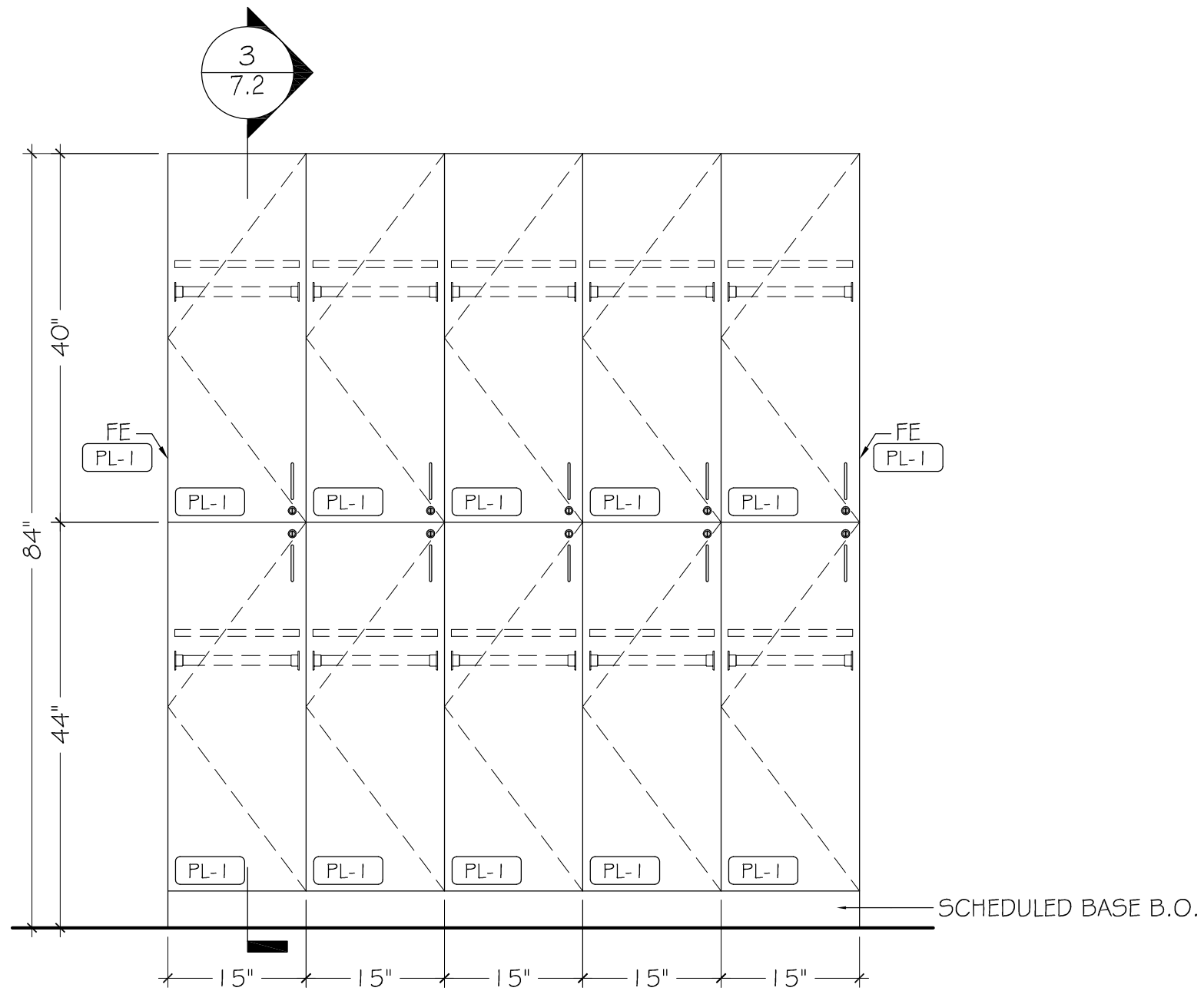
4 VERTICAL SECTION
 SCALE: 1-1/2" = 1'-0"
 REF: N/A

STORAGE 114		
Scale:	Ref:	Drawn by: M.G.
Date: 4-12-17		Revised:
EDIFICE MEDICAL OFFICE BUILDING		Sheet Number: 6.3



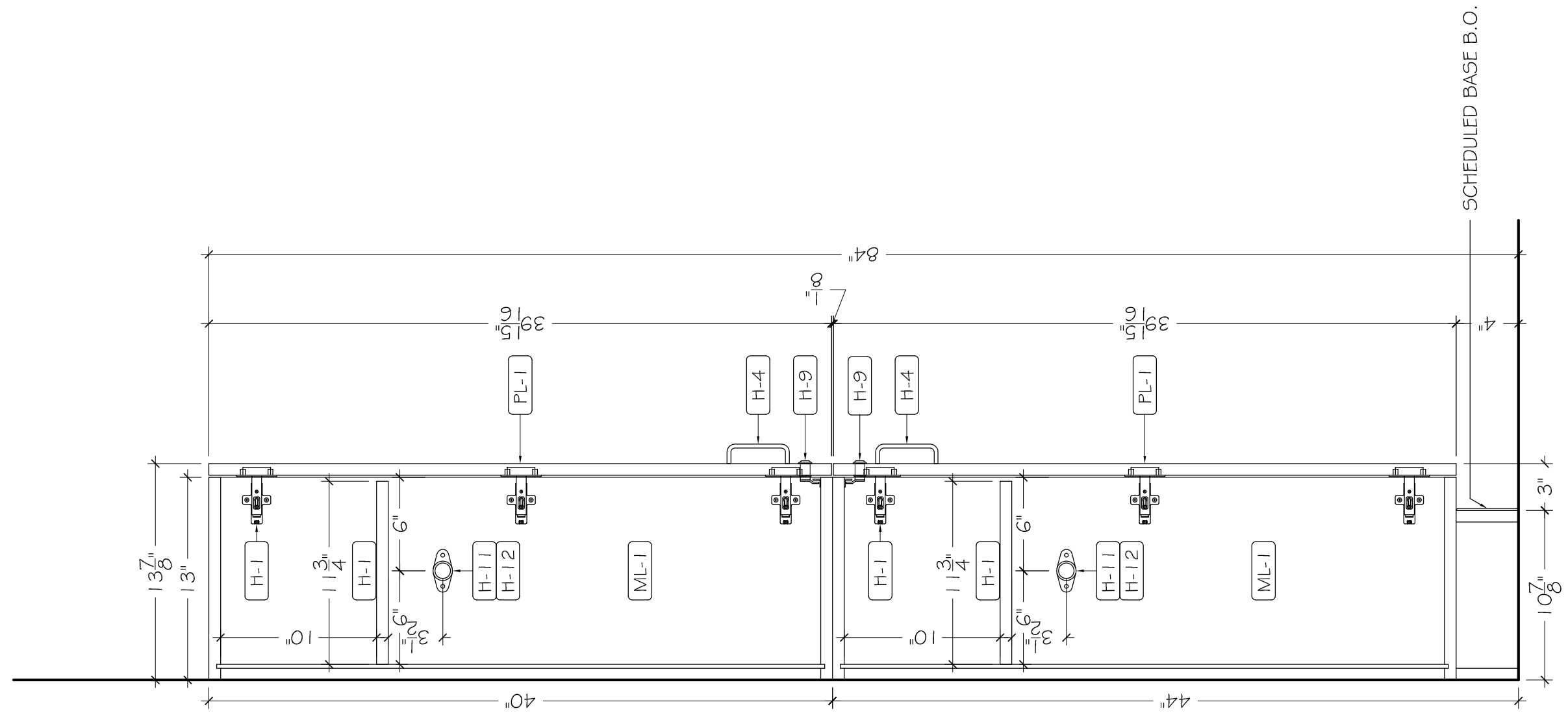
1 PLAN: STAFF CHANGING 117 & PATIENT CHANGING 120
 SCALE: 3/4" = 1'-0"
 REF: A-2.0

STAFF CHANGING 117 & PATIENT CHANGING 120		
Scale:	Ref:	Drawn by: M.G.
Date: 4-12-17		Revised:
EDIFICE MEDICAL OFFICE BUILDING		Sheet Number: 7.0



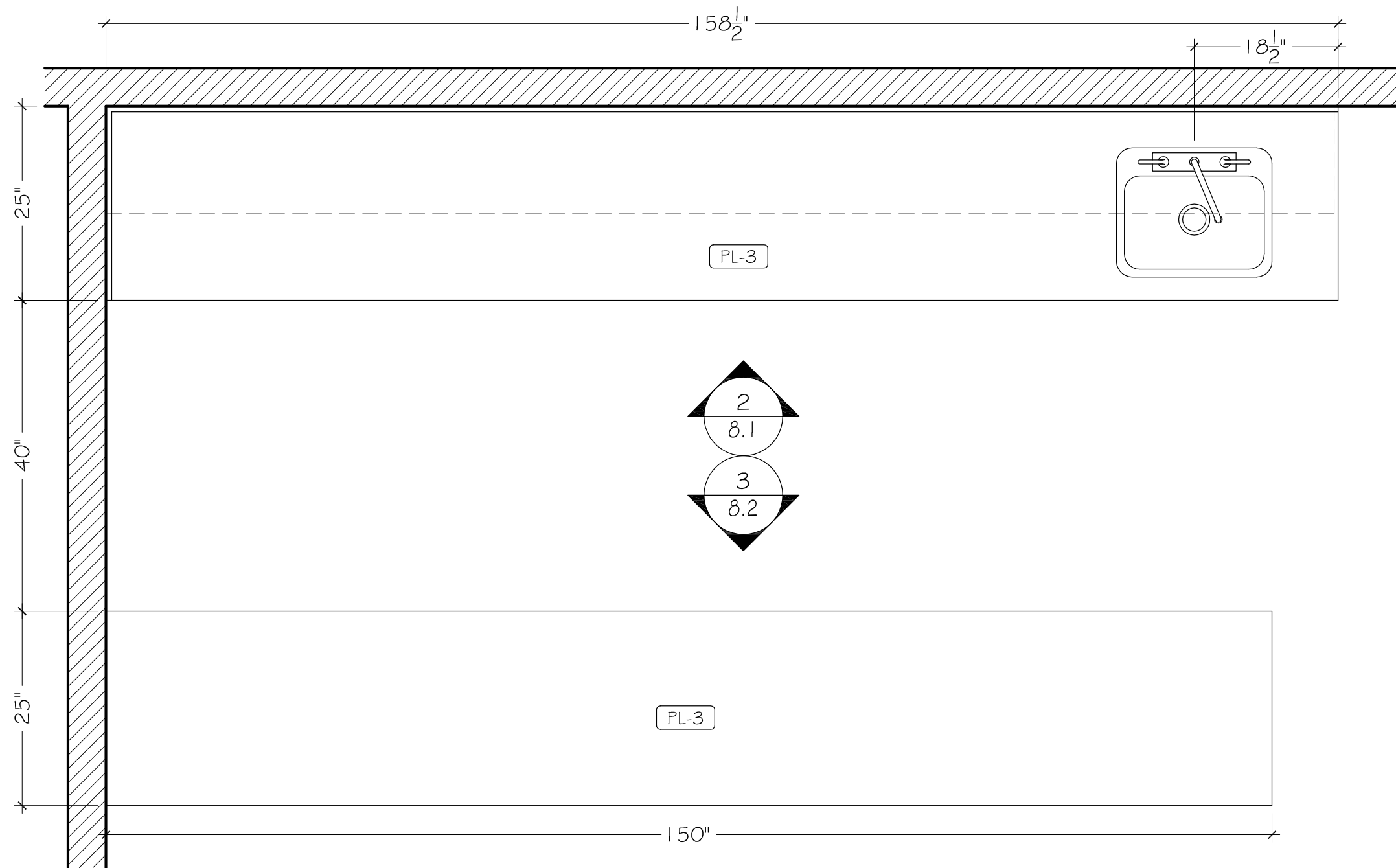
2 ELEVATION: STAFF CHANGING 117 & PATIENT CHANGING 120
 SCALE: 3/4" = 1'-0"
 REF: N/A

STAFF CHANGING 117 & PATIENT CHANGING 120		
Scale:	Ref:	Drawn by: M.G.
Date: 4-12-17		Revised:
EDIFICE MEDICAL OFFICE BUILDING		Sheet Number: 7.1



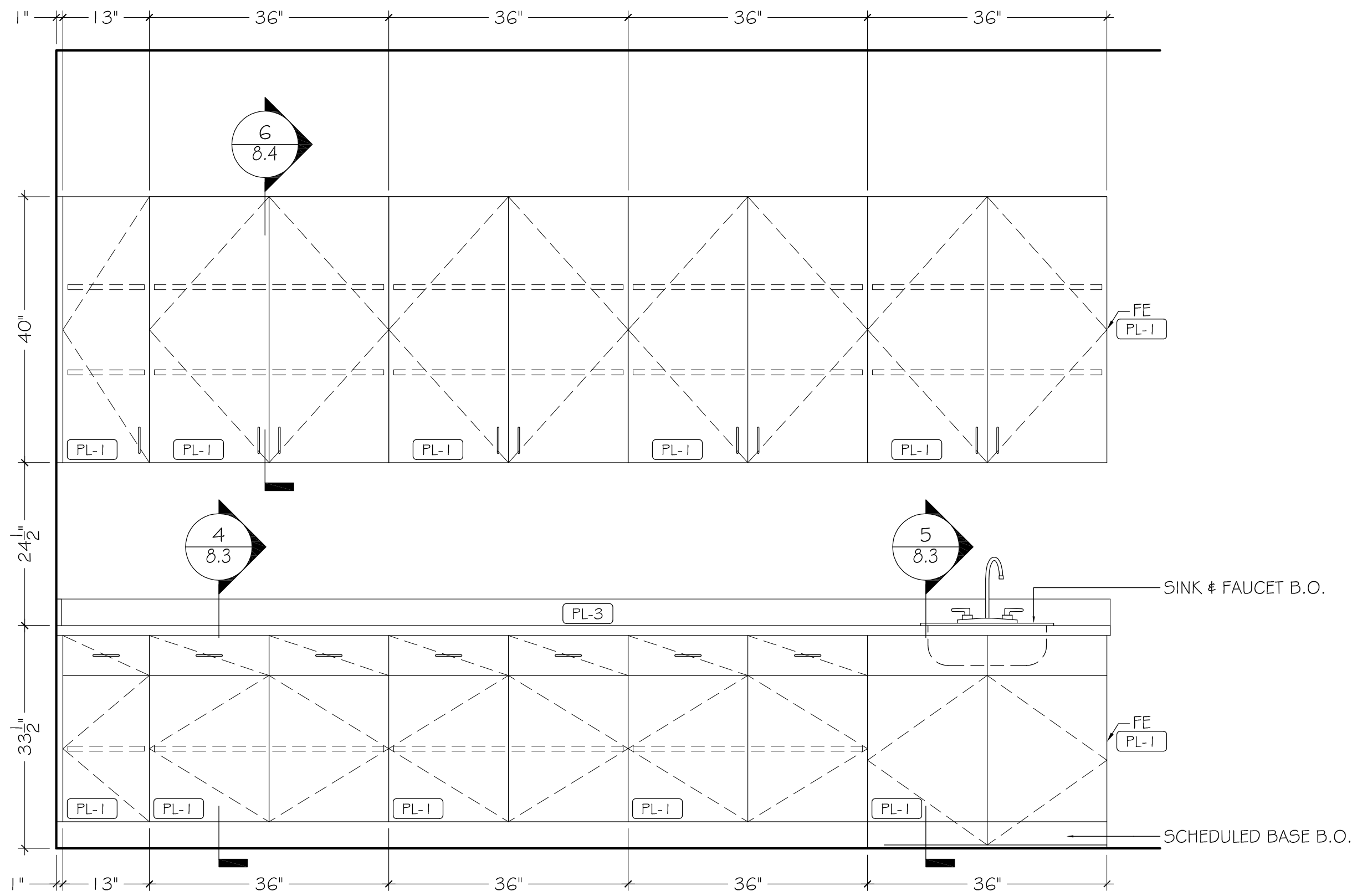
3 VERTICAL SECTION
 SCALE: 1-1/2" = 1'-0"
 REF: N/A

STAFF CHANGING 117 & PATIENT CHANGING 120		
Scale:	Ref:	Drawn by: M.G.
Date: 4-12-17		Revised:
EDIFICE MEDICAL OFFICE BUILDING		Sheet Number: 7.2



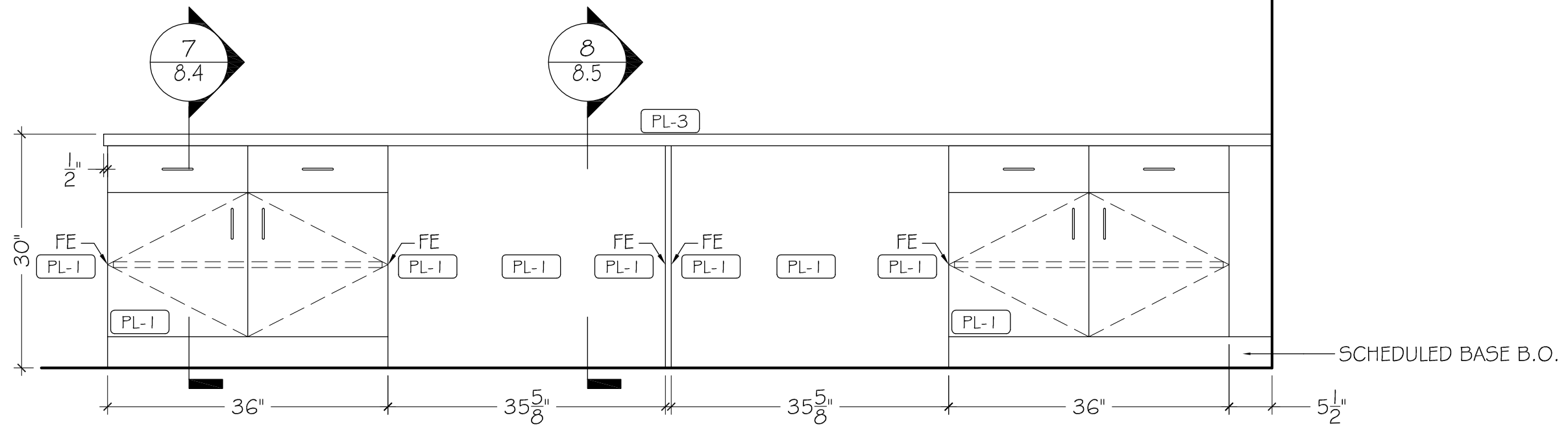
1 PLAN: WORK STATION 126
 SCALE: 3/4" = 1'-0"
 REF: A-2.0

WORK STATION 126		
Scale:	Ref:	Drawn by: M.G.
Date: 4-12-17		Revised:
EDIFICE MEDICAL OFFICE BUILDING		Sheet Number: 8.0



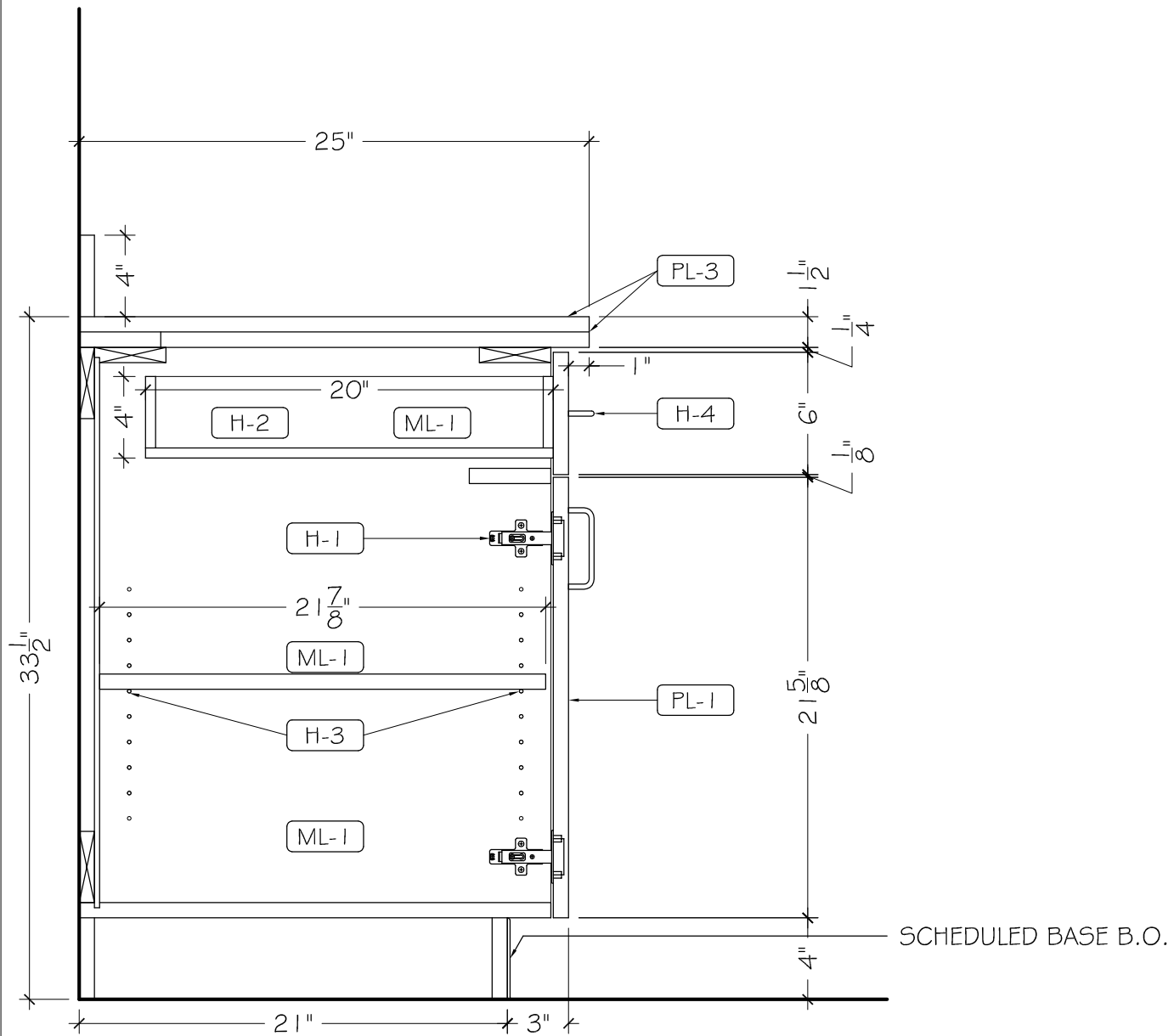
2 ELEVATION: WORK STATION 126
 SCALE: 3/4" = 1'-0"
 REF: 19/A-7.1

WORK STATION 126		Drawn by: M.G.
Scale:	Ref:	Revised:
Date: 4-12-17		
EDIFICE MEDICAL OFFICE BUILDING		Sheet Number: 8.1

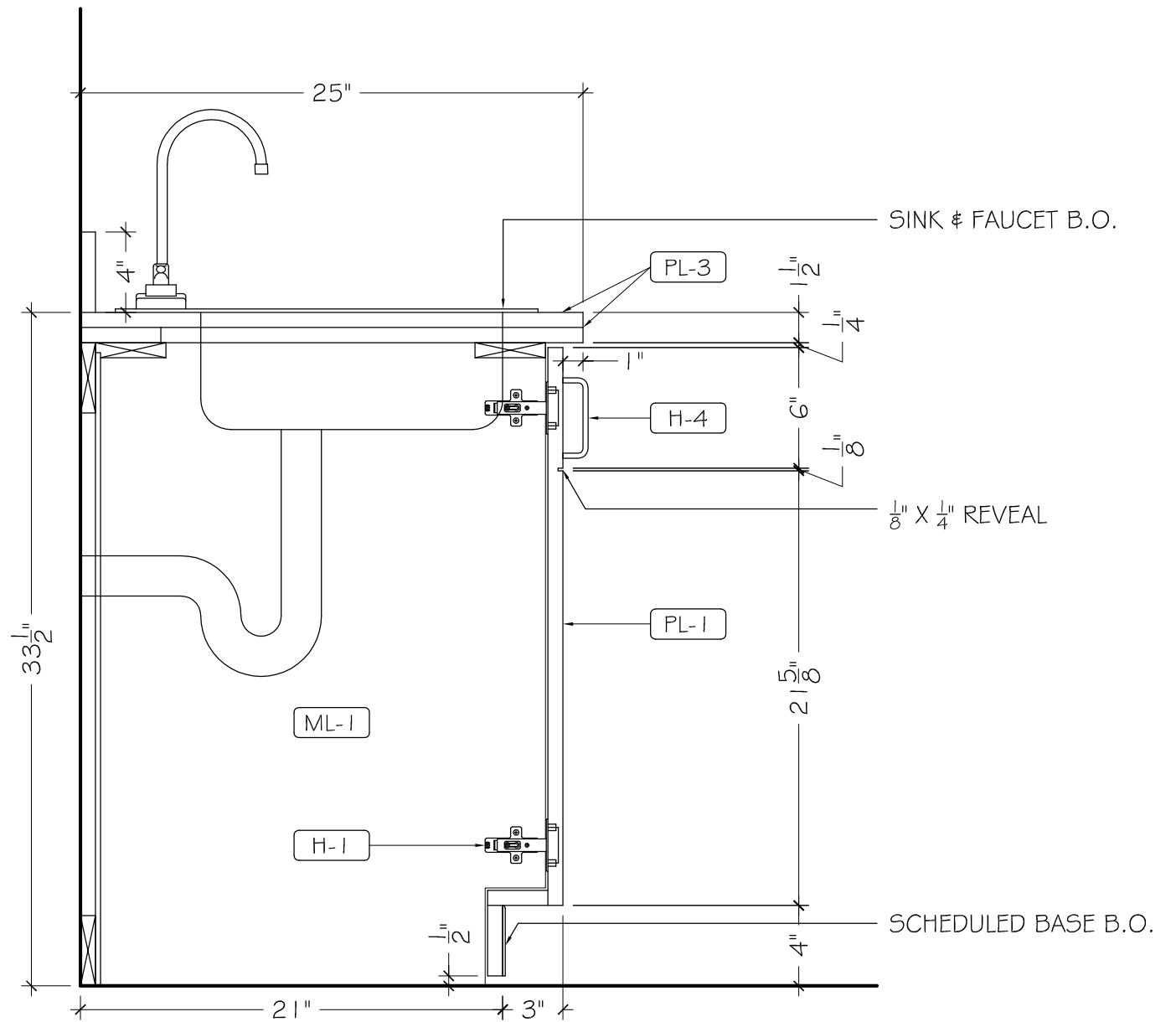


3 ELEVATION: WORK STATION 126
 SCALE: 3/4" = 1'-0"
 REF: 18/A-7.1

WORK STATION 126		Drawn by: M.G.
Scale:	Ref:	Revised:
Date: 4-12-17		
EDIFICE MEDICAL OFFICE BUILDING		Sheet Number: 8.2

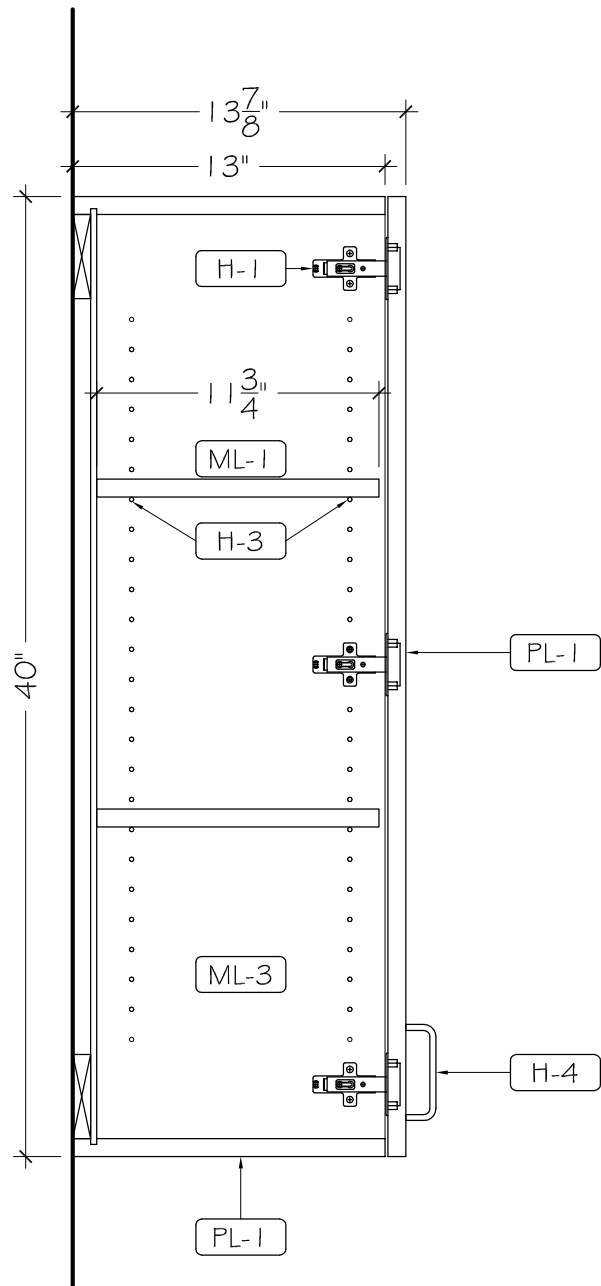


4 VERTICAL SECTION
 SCALE: 1-1/2" = 1'-0"
 REF: B/A-7.2

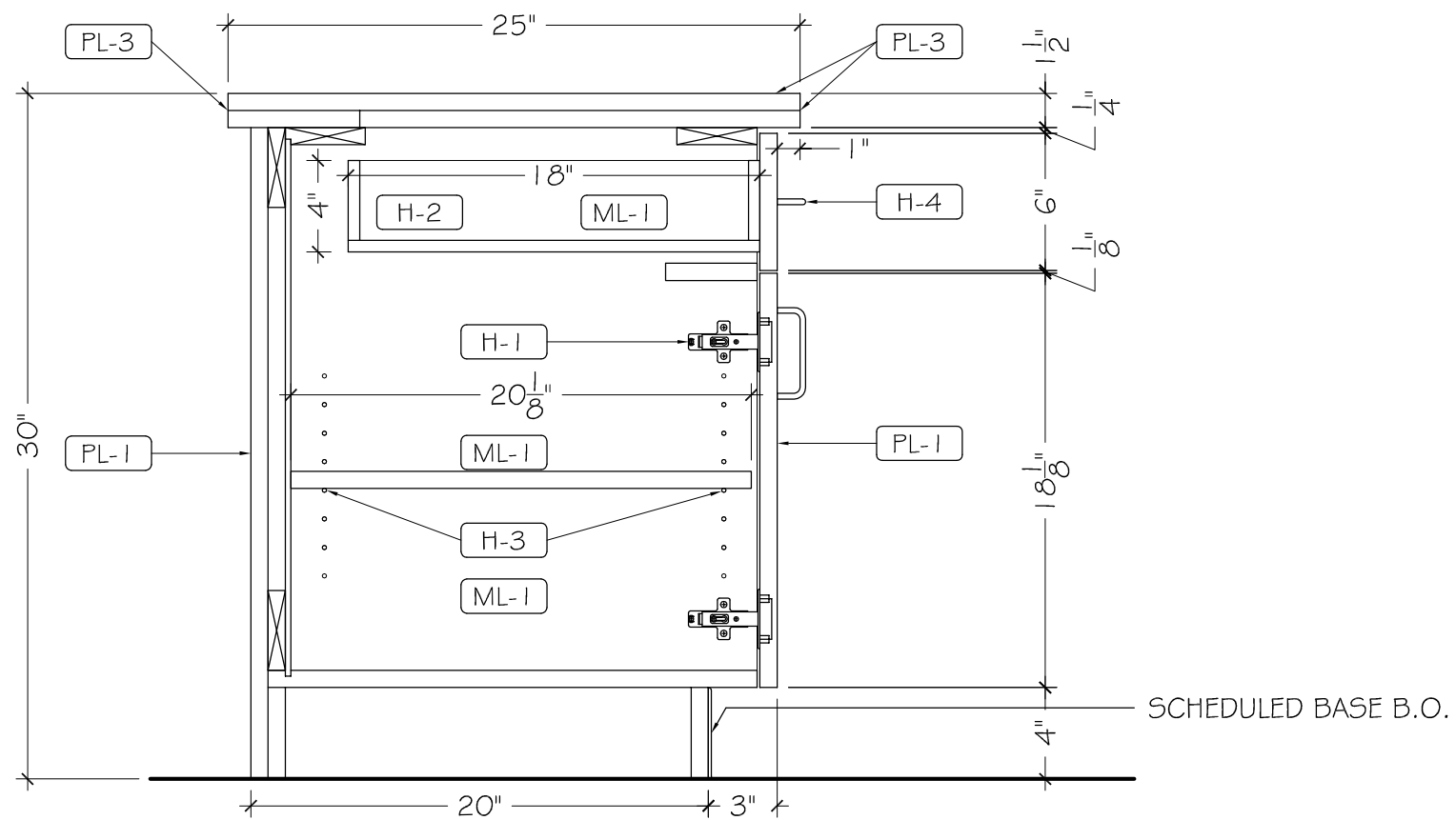


5 VERTICAL SECTION
 SCALE: 1-1/2" = 1'-0"
 REF: A/A-7.2

WORK STATION 126		
Scale:	Ref:	Drawn by: M.G.
Date: 4-12-17		Revised:
EDIFICE MEDICAL OFFICE BUILDING		Sheet Number: 8.3

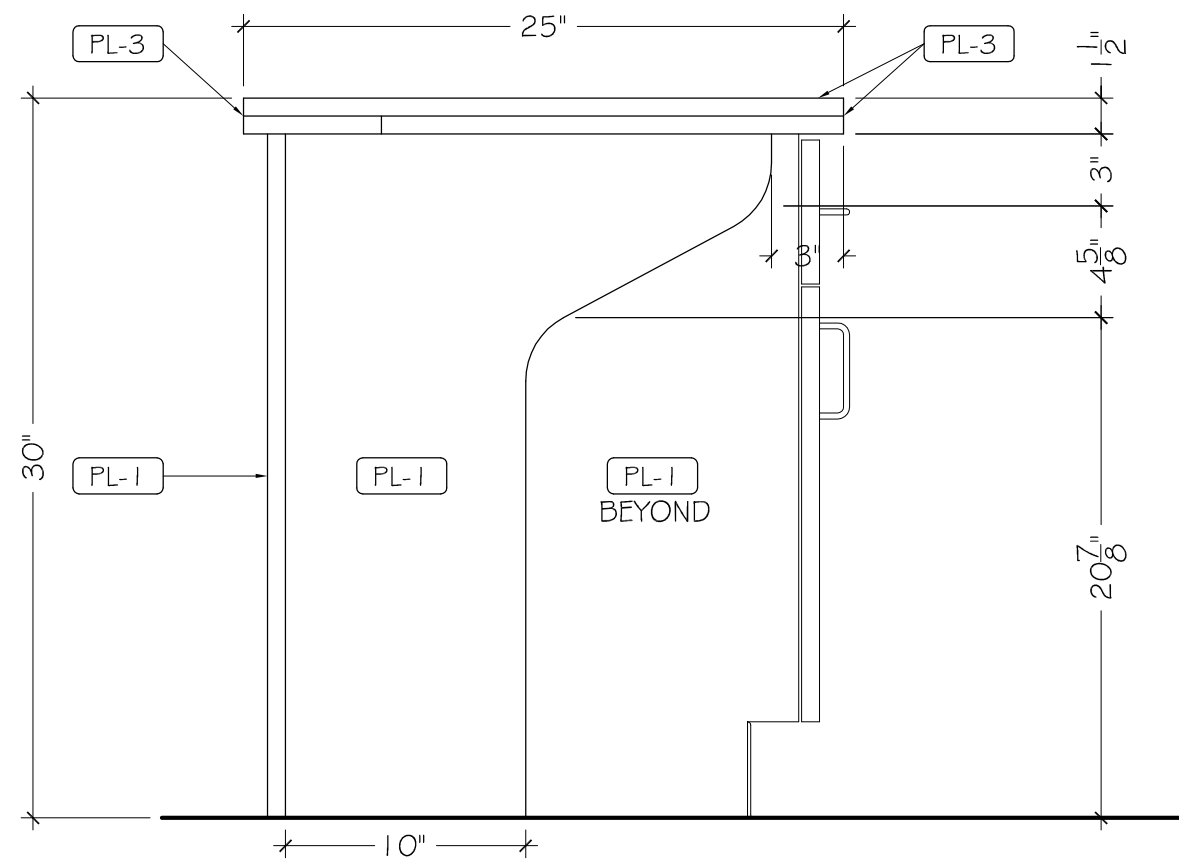


6 VERTICAL SECTION
 SCALE: 1-1/2" = 1'-0"
 REF: C/A-7.2



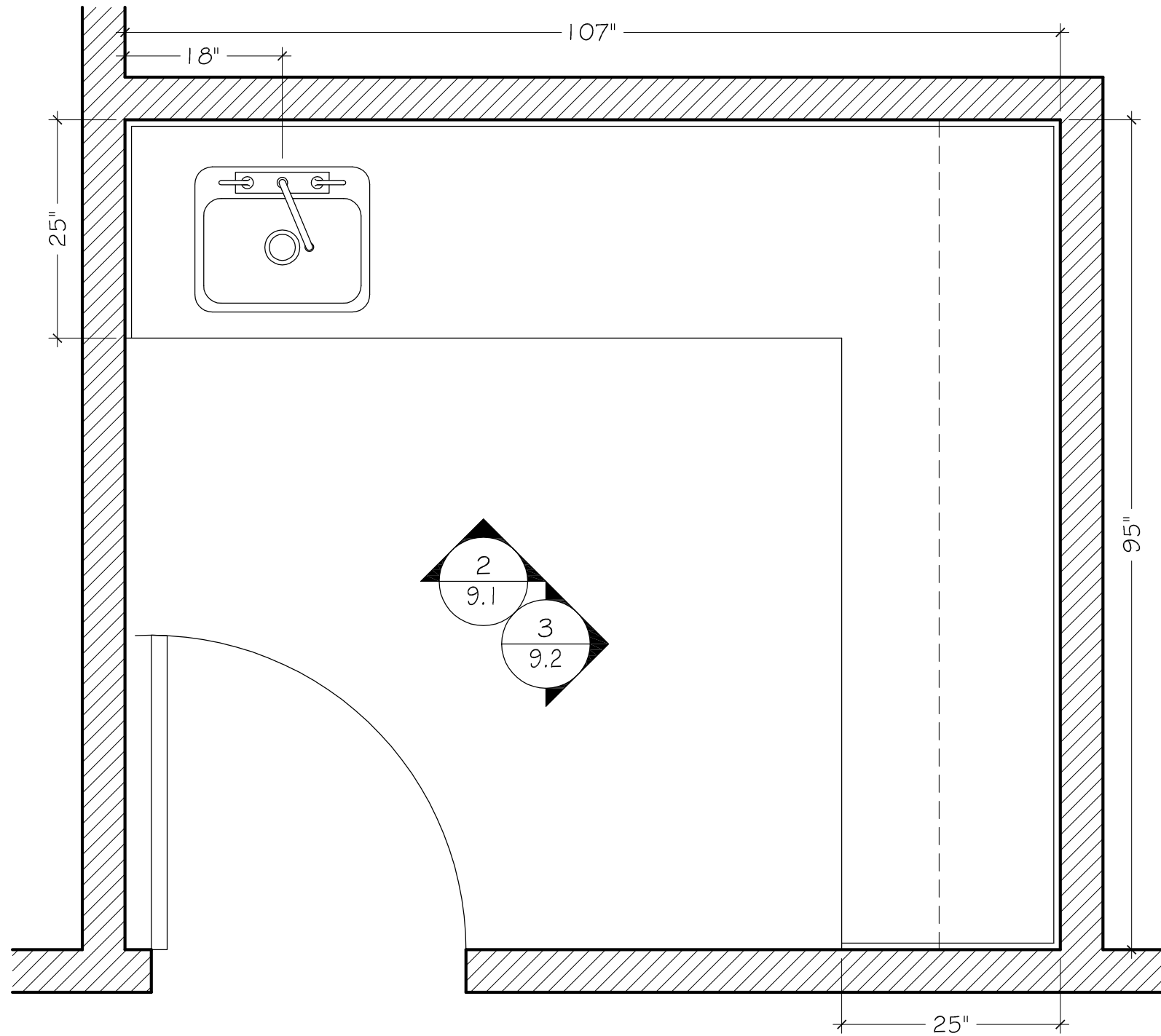
7 VERTICAL SECTION
 SCALE: 1-1/2" = 1'-0"
 REF: N/A

WORK STATION 126		
Scale:	Ref:	Drawn by: M.G.
Date: 4-12-17		Revised:
EDIFICE MEDICAL OFFICE BUILDING		Sheet Number: 8.4



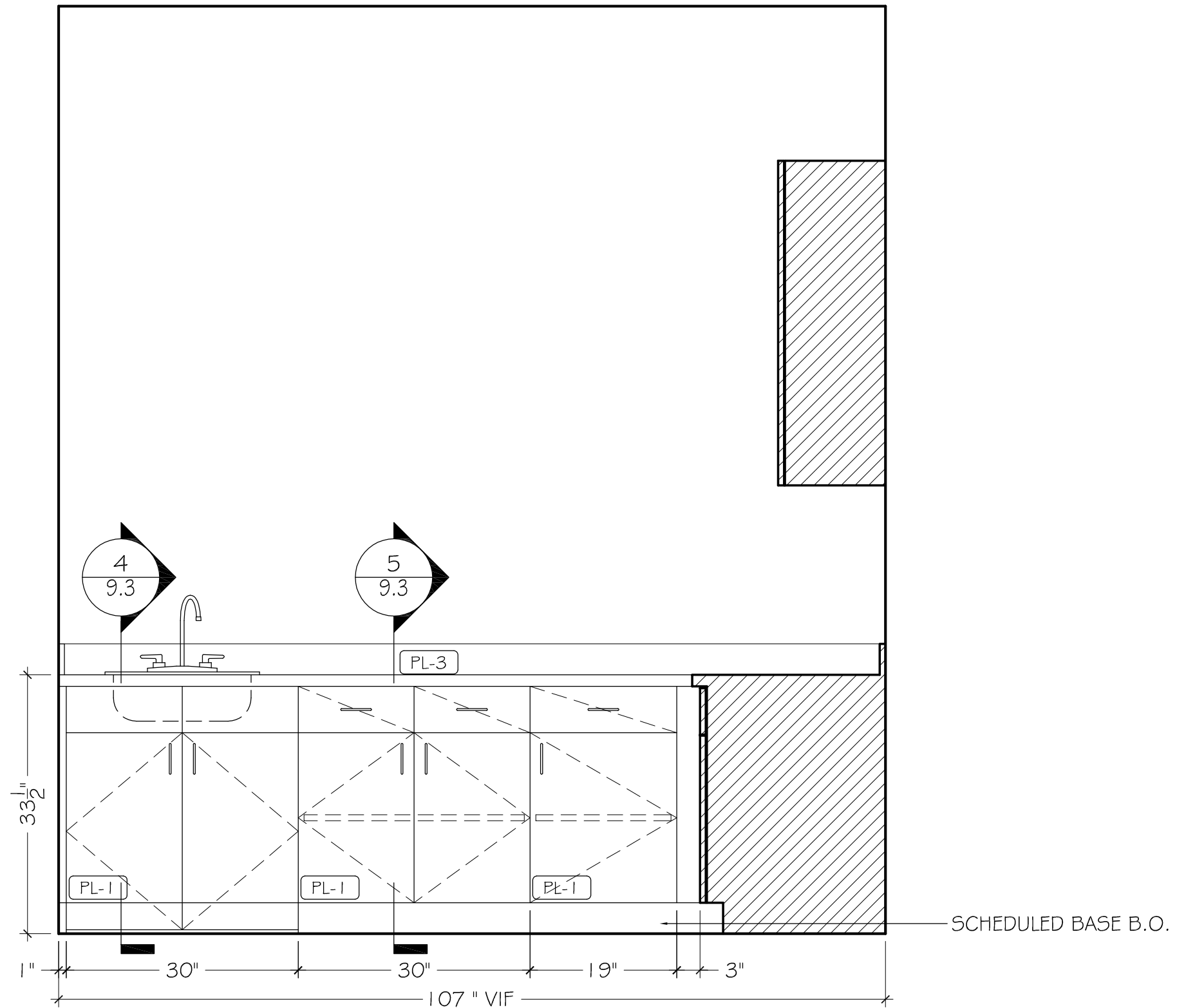
8 VERTICAL SECTION
 SCALE: 1-1/2" = 1'-0"
 REF: N/A

WORK STATION 126		
Scale:	Ref:	Drawn by: M.G.
Date: 4-12-17		Revised:
EDIFICE MEDICAL OFFICE BUILDING		Sheet Number: 8.5



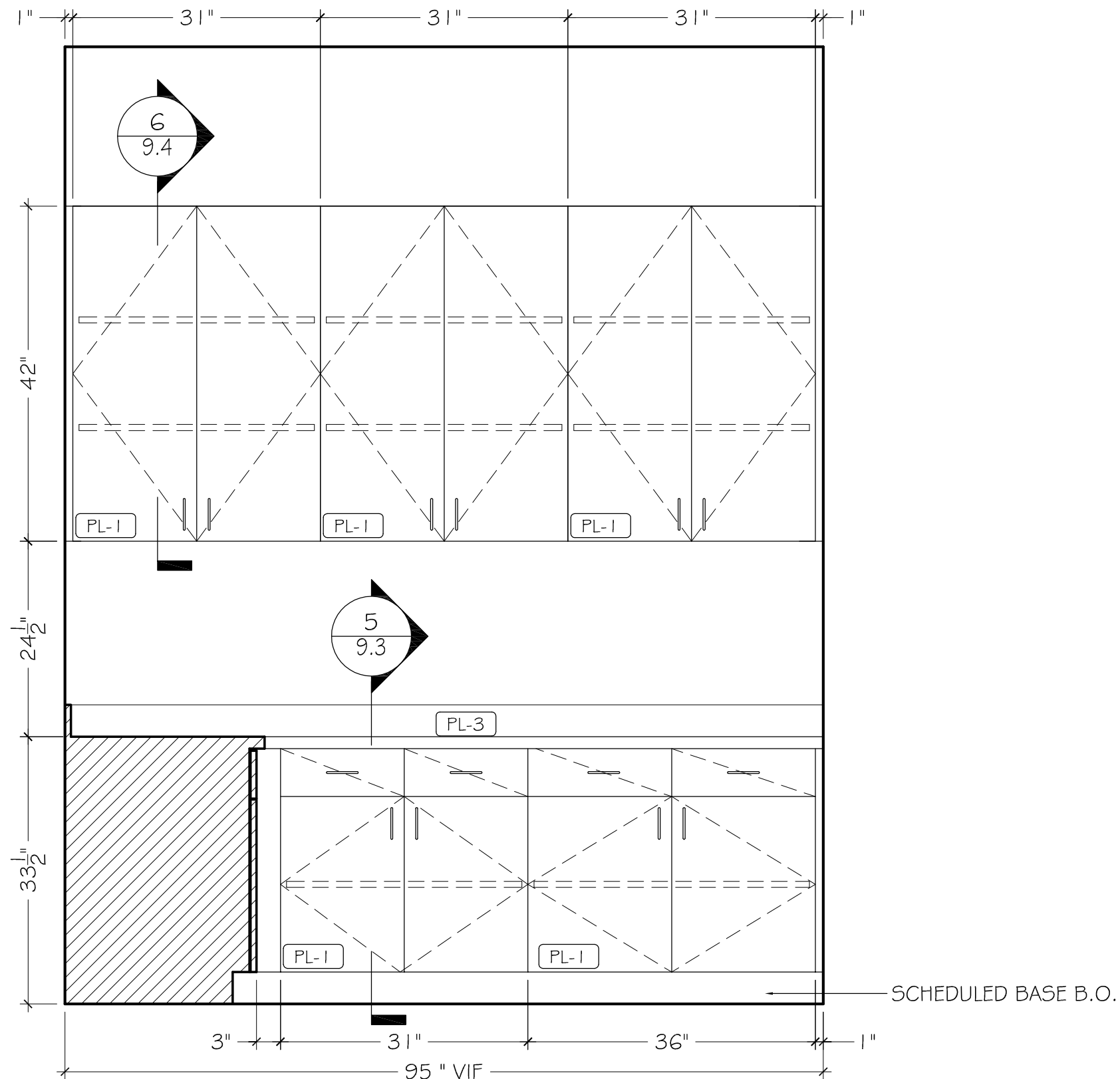
1 PLAN: WORKROOM 135
 SCALE: 3/4" = 1'-0"
 REF: A-2.0

WORK ROOM 135		
Scale:	Ref:	Drawn by: M.G.
Date: 4-12-17		Revised:
EDIFICE MEDICAL OFFICE BUILDING		Sheet Number: 9.0



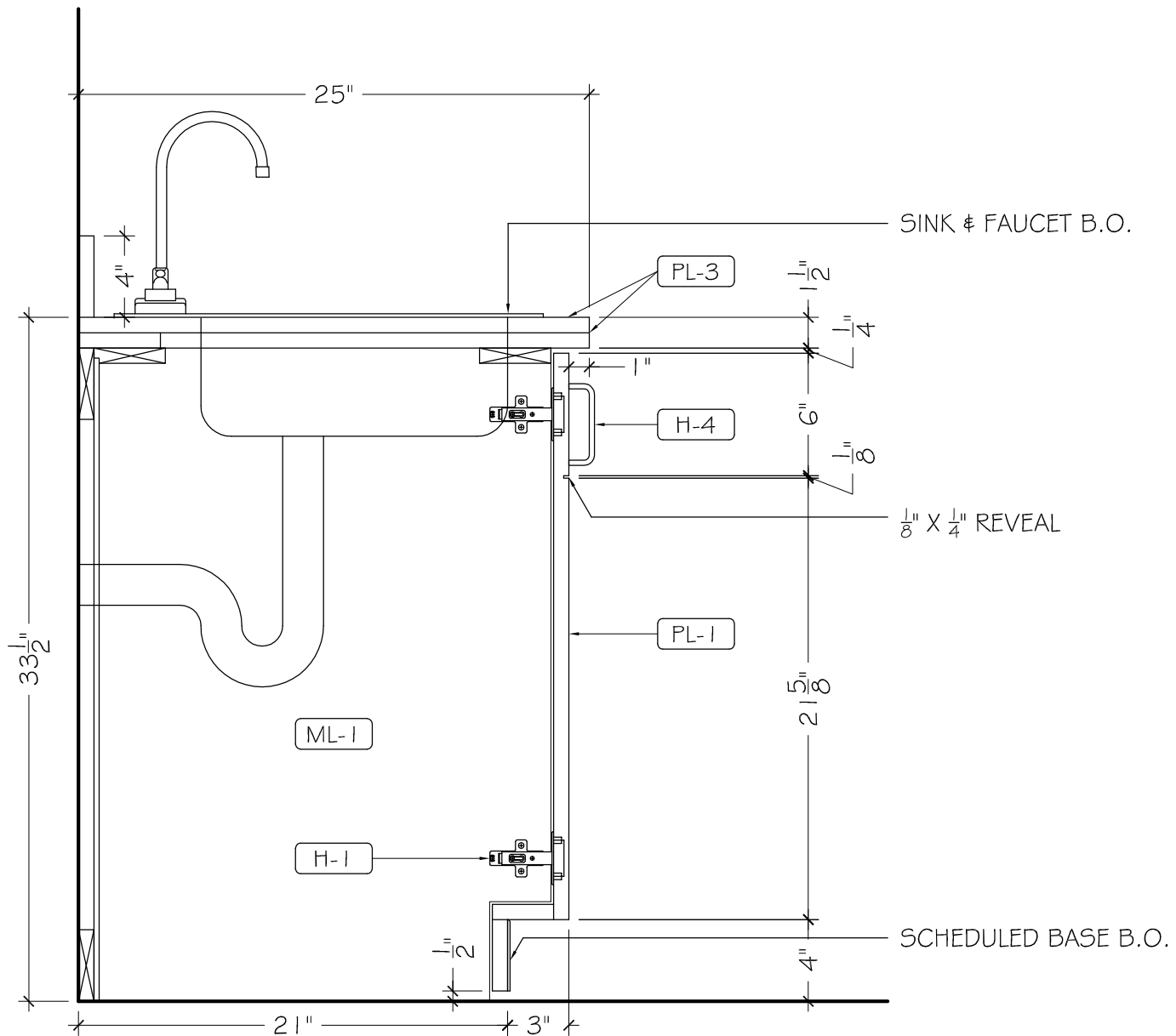
2 ELEVATION: WORKROOM 135
 SCALE: 3/4" = 1'-0"
 REF: 16/A-7.1

WORK ROOM 135		Drawn by: M.G.
Scale:	Ref:	Revised:
Date: 4-12-17		
EDIFICE MEDICAL OFFICE BUILDING		Sheet Number: 9.1

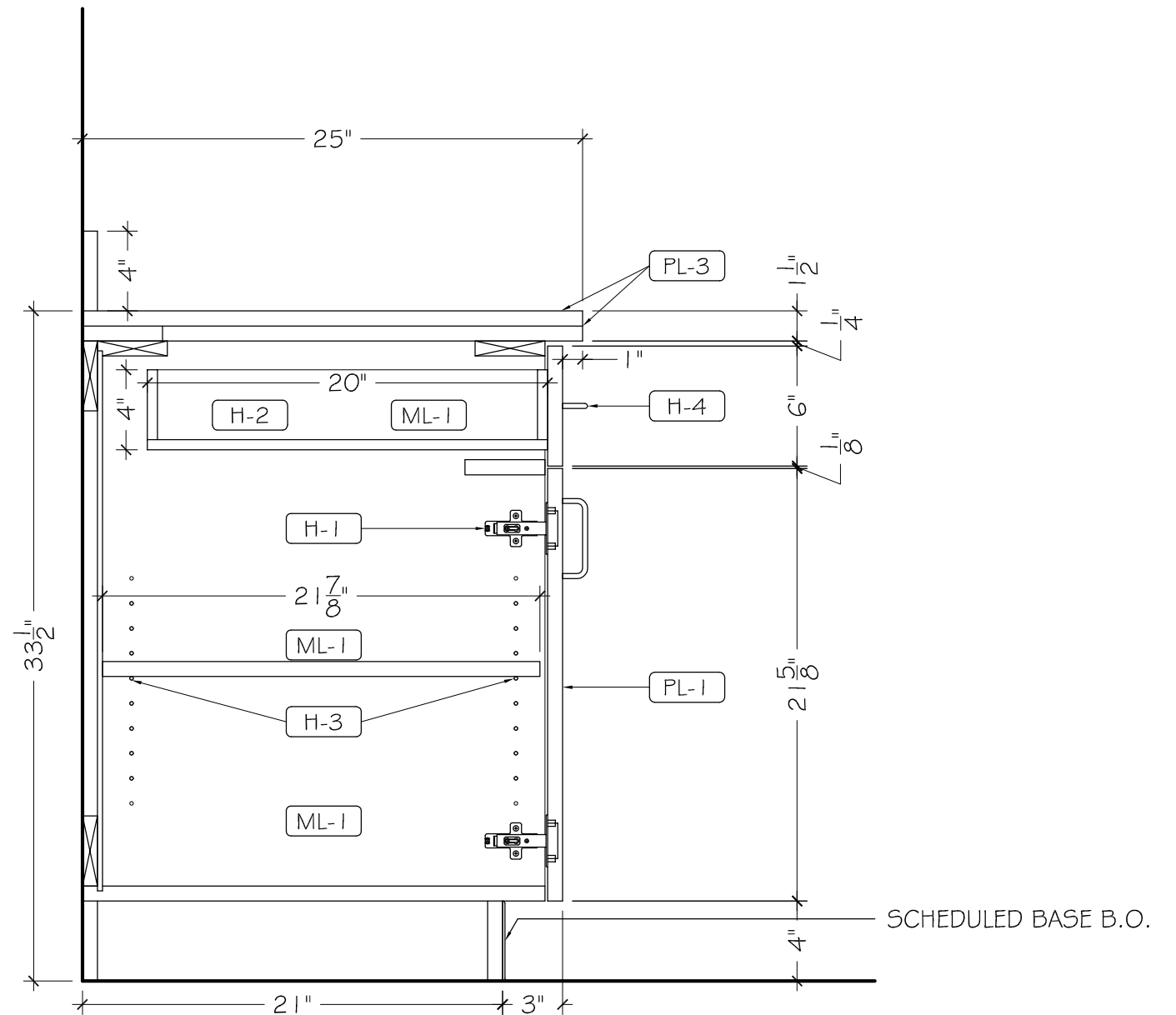


3 ELEVATION: WORKROOM 135
 SCALE: 3/4" = 1'-0"
 REF: 17/A-7.1

WORK ROOM 135		Drawn by: M.G.
Scale:	Ref:	Revised:
Date: 4-12-17		
EDIFICE MEDICAL OFFICE BUILDING		Sheet Number: 9.2

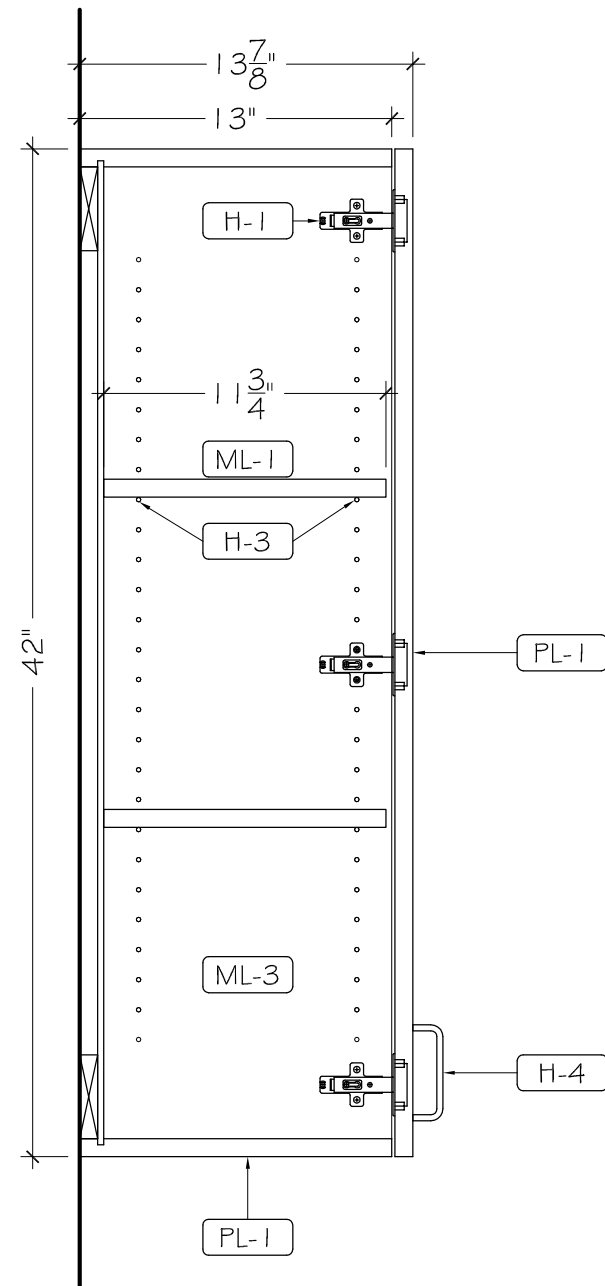


4 VERTICAL SECTION
 SCALE: 1-1/2" = 1'-0"
 REF: A/A-7.2



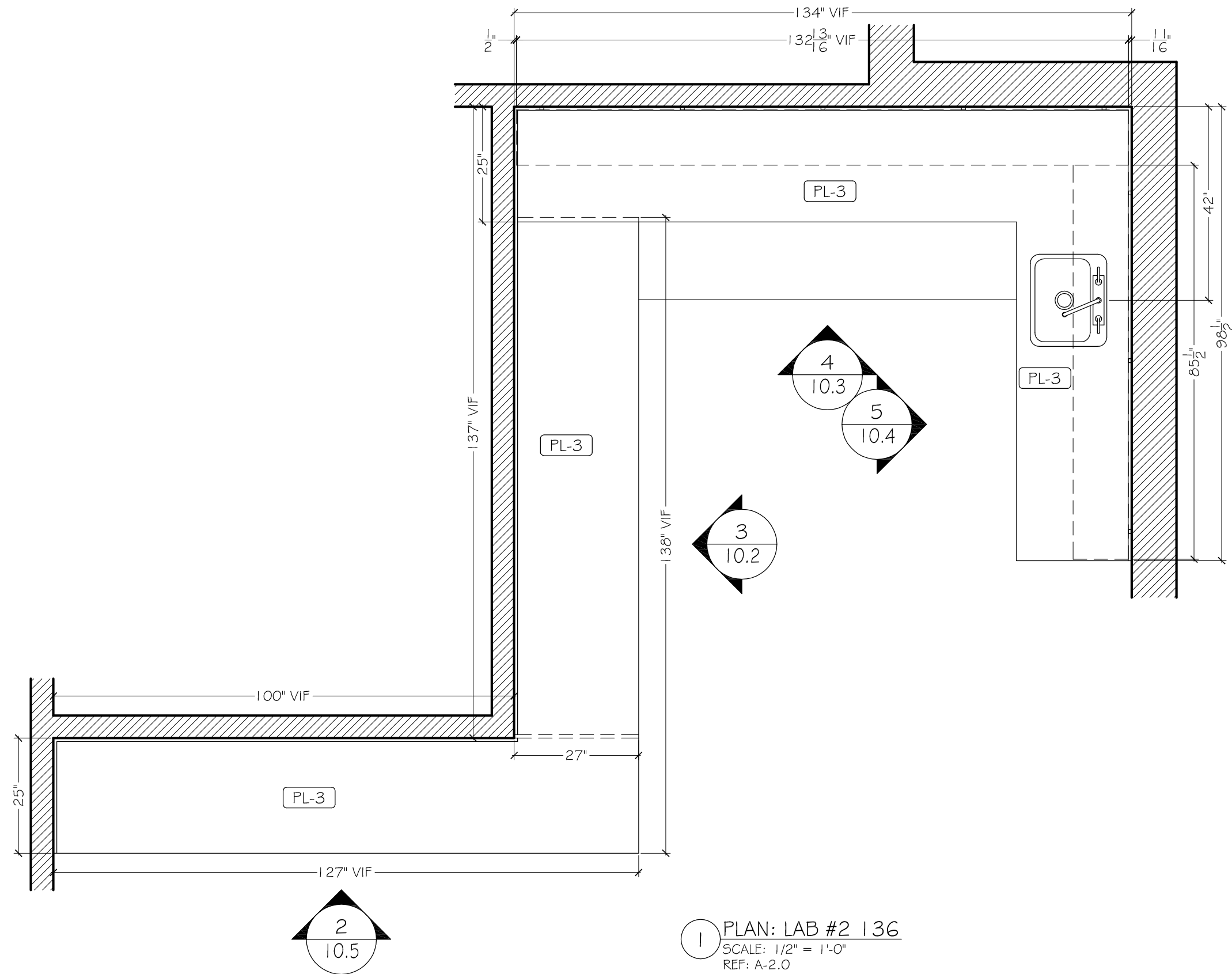
5 VERTICAL SECTION
 SCALE: 1-1/2" = 1'-0"
 REF: B/A-7.2

WORK ROOM 135		
Scale:	Ref:	Drawn by: M.G.
Date: 4-12-17		Revised:
EDIFICE MEDICAL OFFICE BUILDING		Sheet Number: 9.3



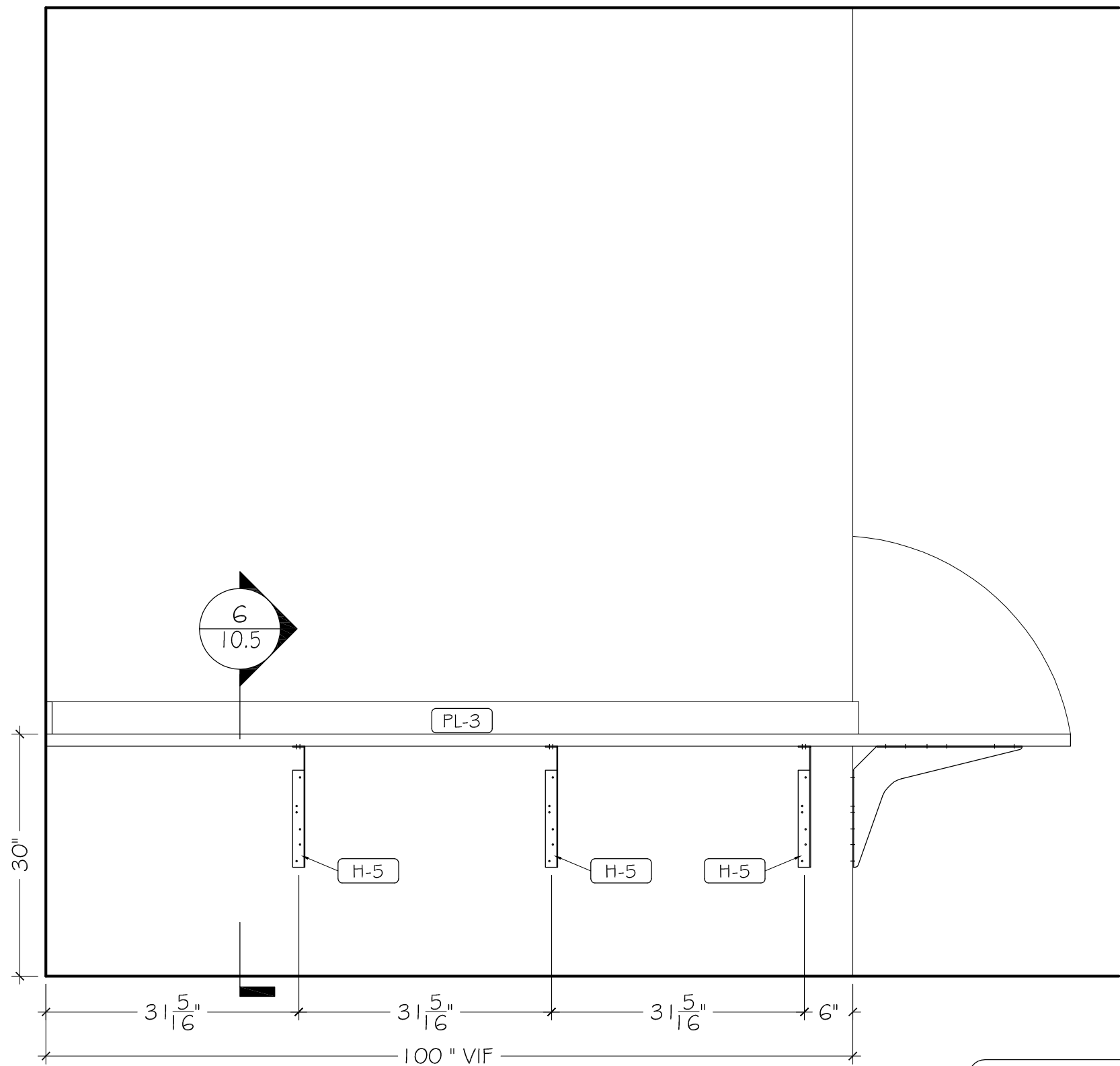
⑥ VERTICAL SECTION
 SCALE: 1-1/2" = 1'-0"
 REF: C/A-7.2

WORK ROOM 135		
Scale:	Ref:	Drawn by: M.G.
Date: 4-12-17		Revised:
EDIFICE MEDICAL OFFICE BUILDING		Sheet Number: 9.4



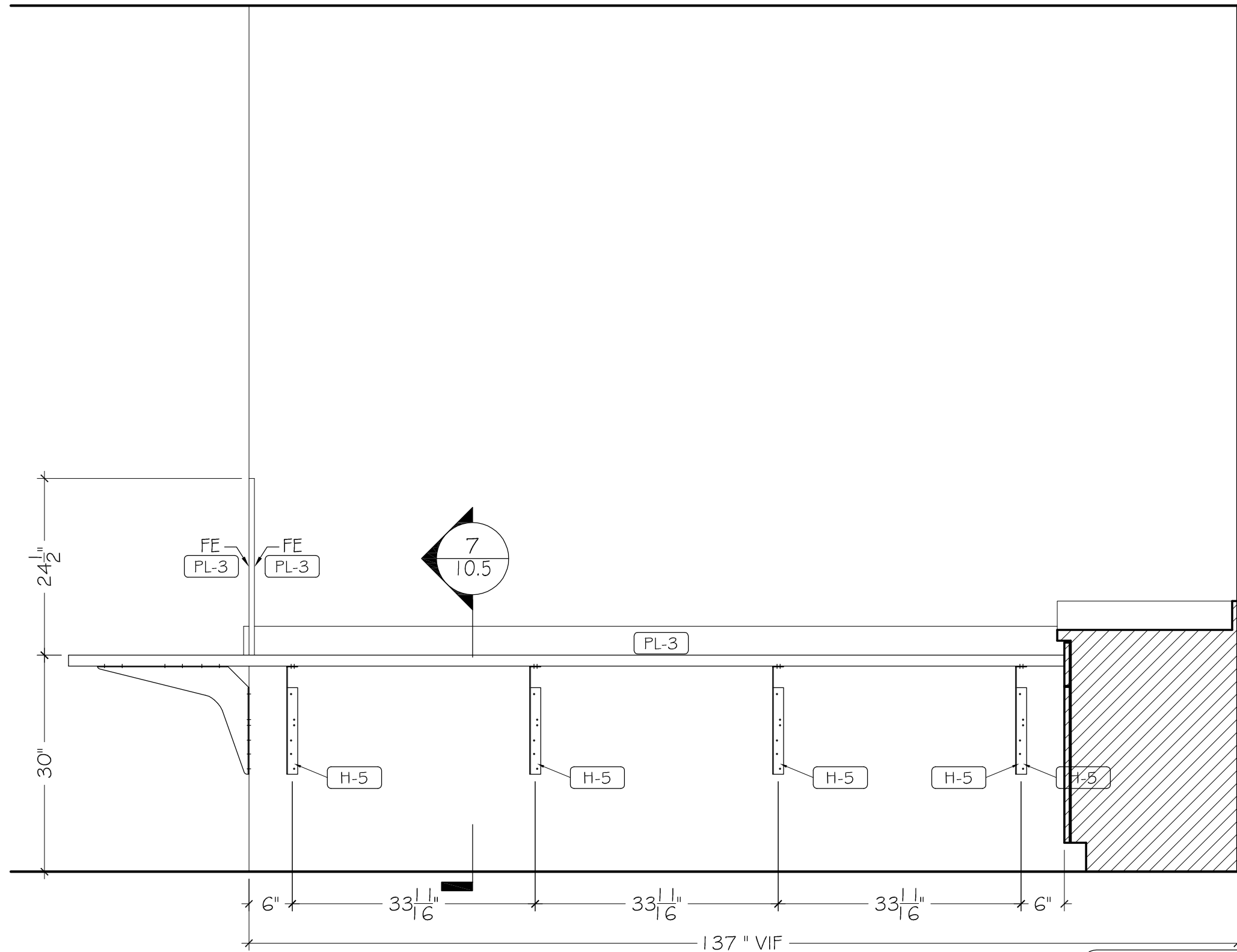
1 PLAN: LAB #2 136
 SCALE: 1/2" = 1'-0"
 REF: A-2.0

LAB #2 136		
Scale:	Ref:	Drawn by: M.G.
Date: 4-12-17		Revised:
EDIFICE MEDICAL OFFICE BUILDING		Sheet Number: 10.0



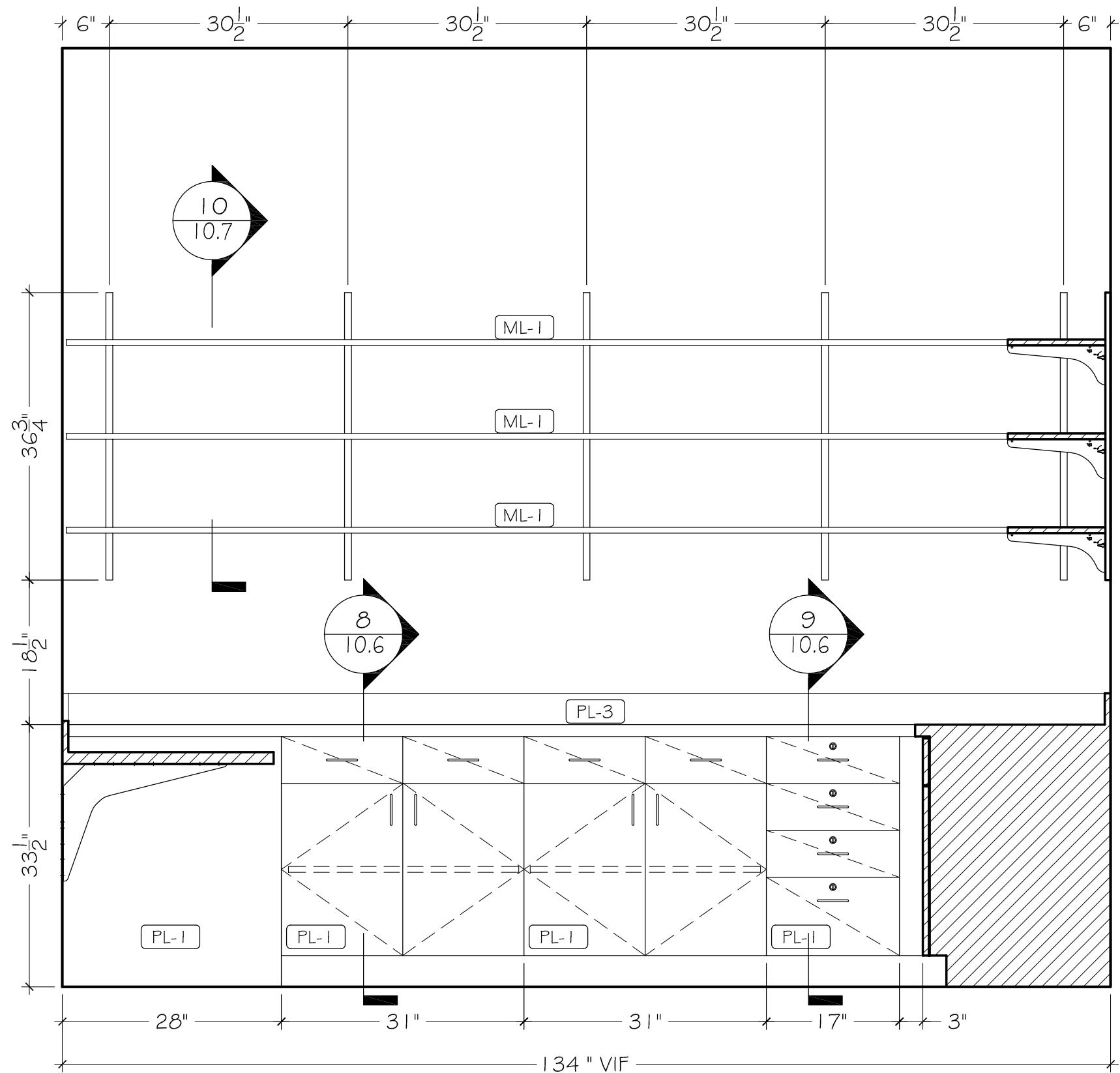
2 ELEVATION: LAB #2 136
 SCALE: 3/4" = 1'-0"
 REF: 21/A-7.1

LAB #2 136		Drawn by: M.G.
Scale:	Ref:	Revised:
Date: 4-12-17		Sheet Number: 10.1
EDIFICE MEDICAL OFFICE BUILDING		



3 ELEVATION: LAB #2 136
 SCALE: 3/4" = 1'-0"
 REF: 23/A-7.1

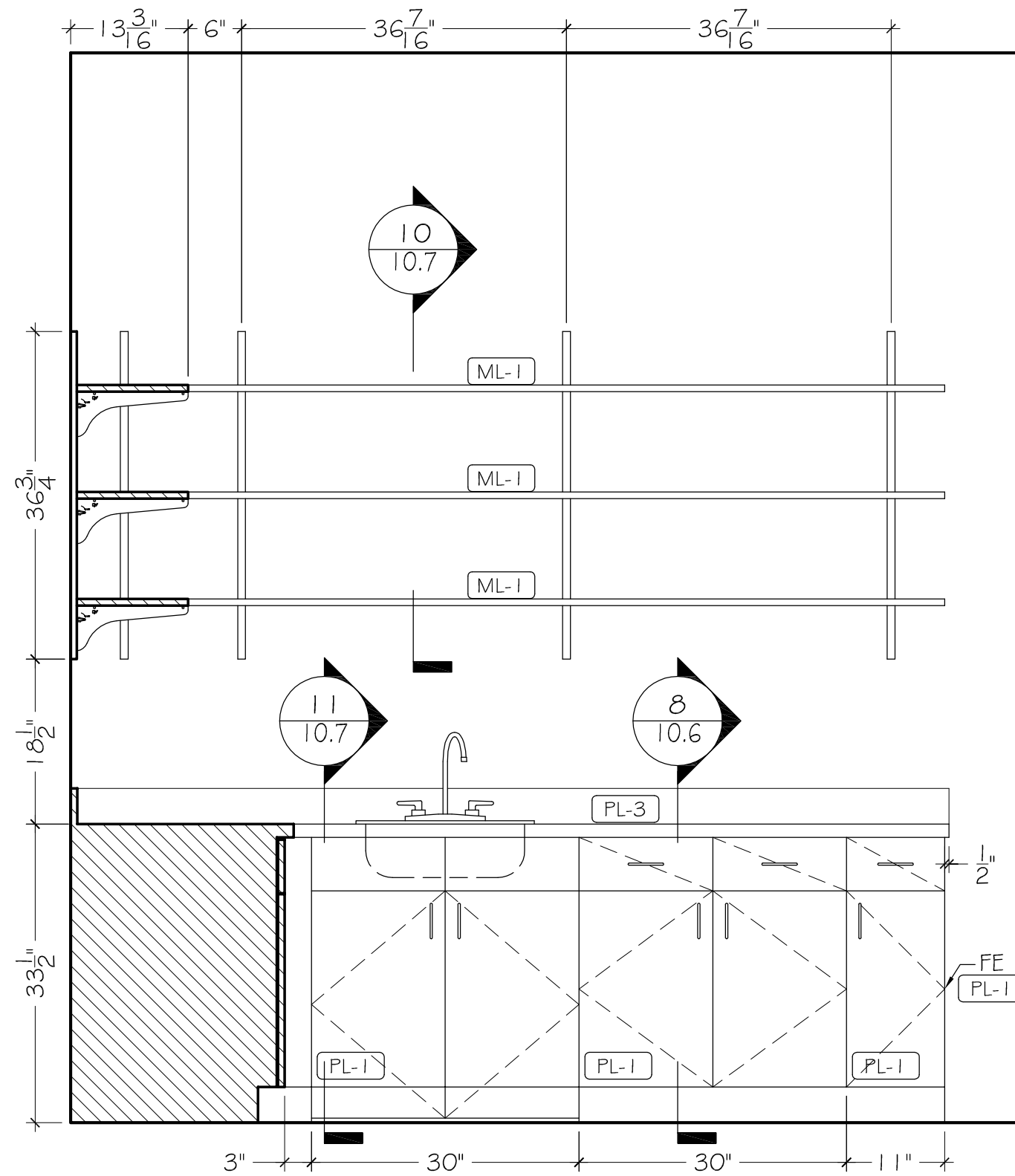
LAB #2 136		Drawn by: M.G.
Scale:	Ref:	Revised:
Date: 4-12-17		Sheet Number: 10.2
EDIFICE MEDICAL OFFICE BUILDING		



4 ELEVATION: LAB #2 136
 SCALE: 3/4" = 1'-0"
 REF: 2 1/A-7.1

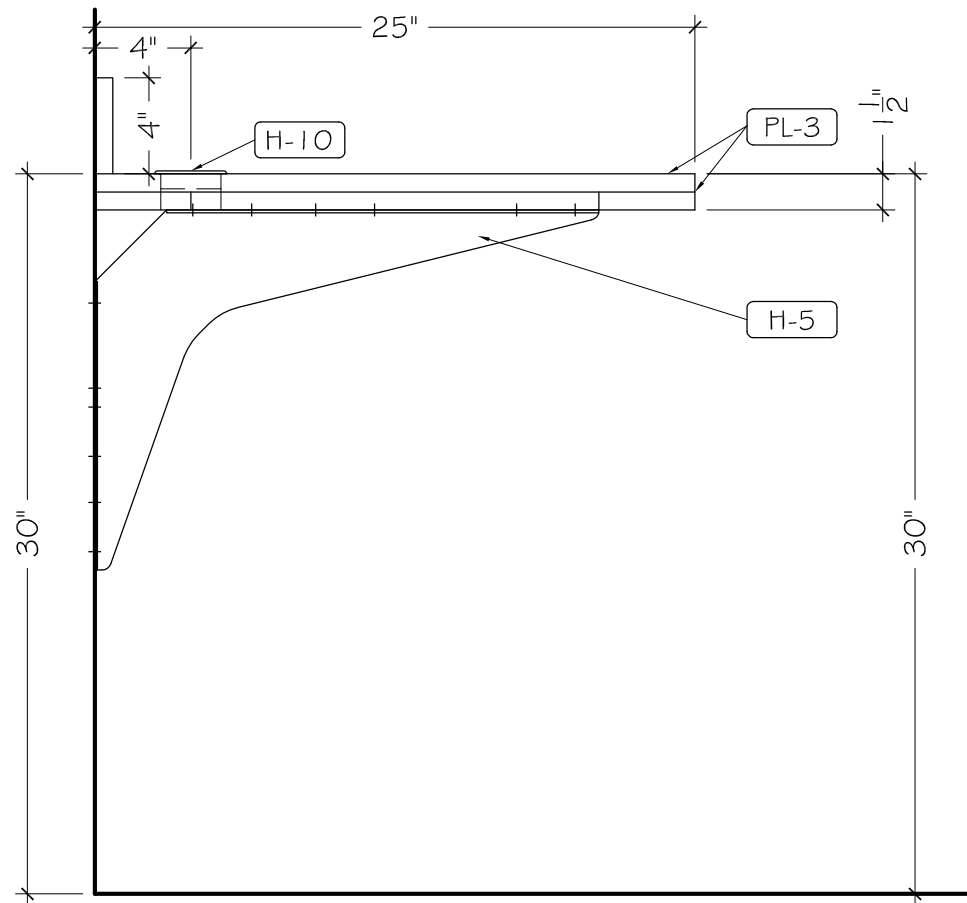
LAB #2 136

Scale:	Ref:	Drawn by: M.G.
Date: 4-12-17		Revised:
EDIFICE MEDICAL OFFICE BUILDING		Sheet Number: 10.3

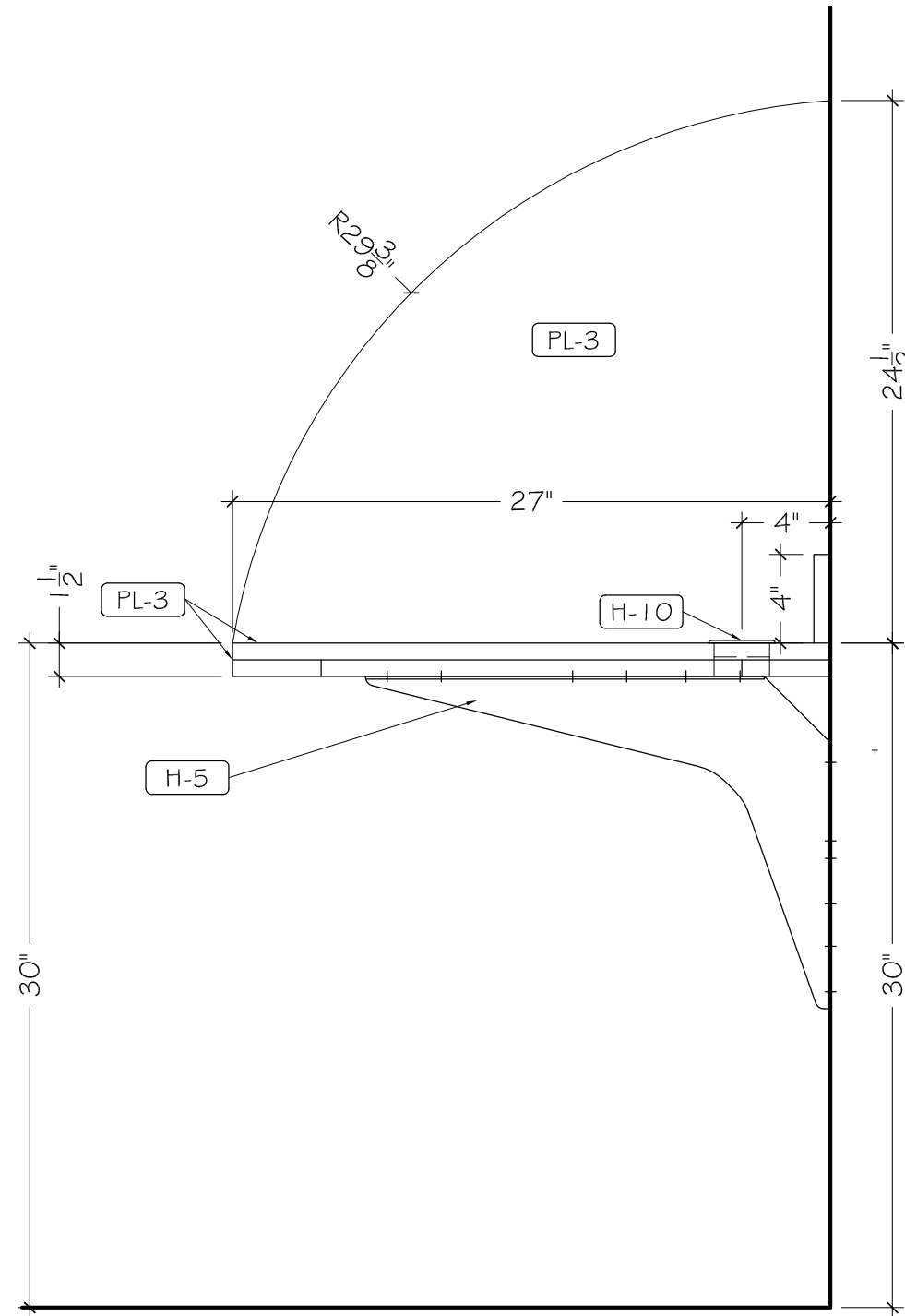


5 ELEVATION: LAB #2 136
 SCALE: 3/4" = 1'-0"
 REF: 22/A-7.1

LAB #2 136		Drawn by: M.G.
Scale:	Ref:	Revised:
Date: 4-12-17		Sheet Number: 10.4
EDIFICE MEDICAL OFFICE BUILDING		

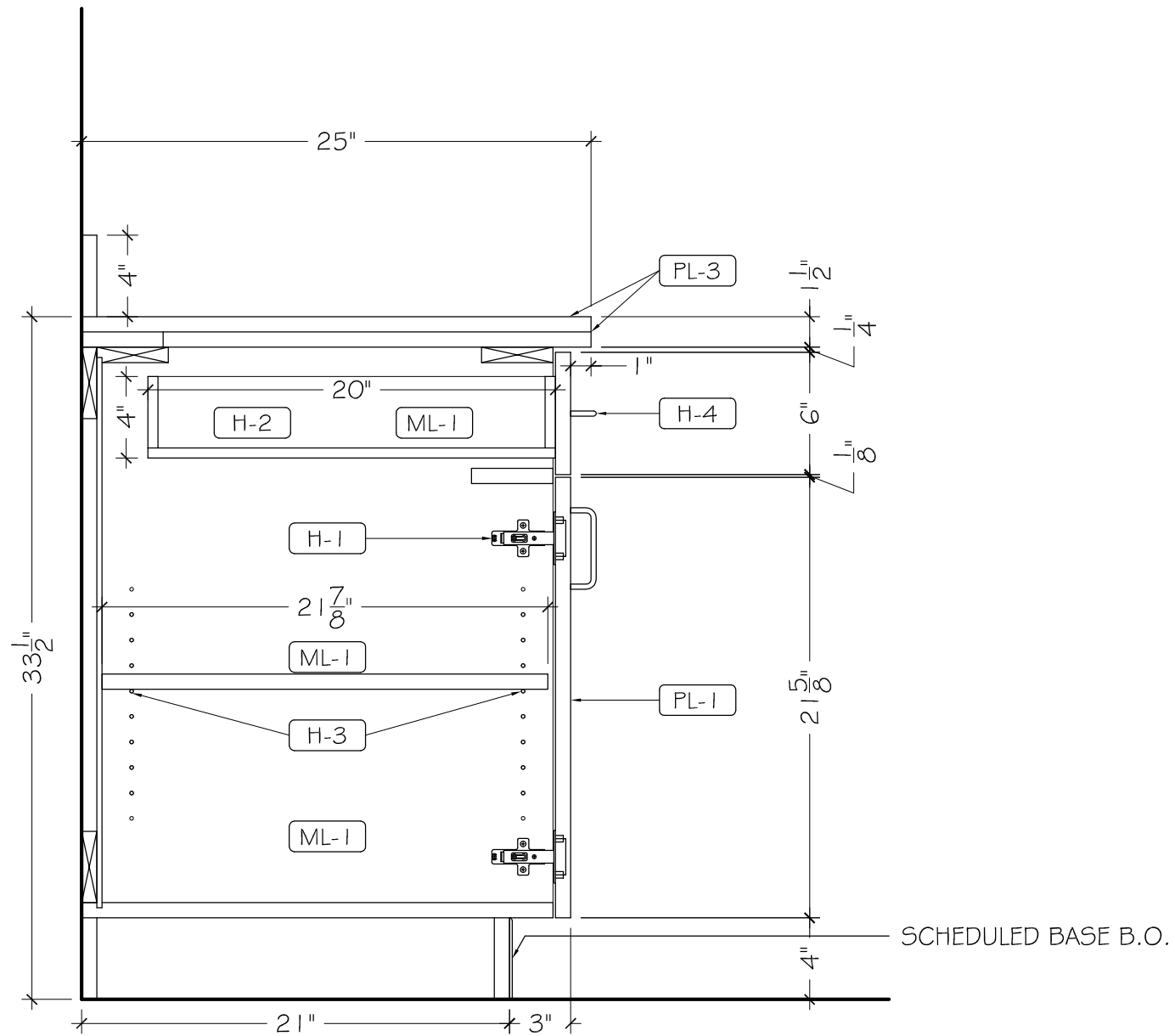


6 VERTICAL SECTION
 SCALE: 1-1/2" = 1'-0"
 REF: F/A-7.2

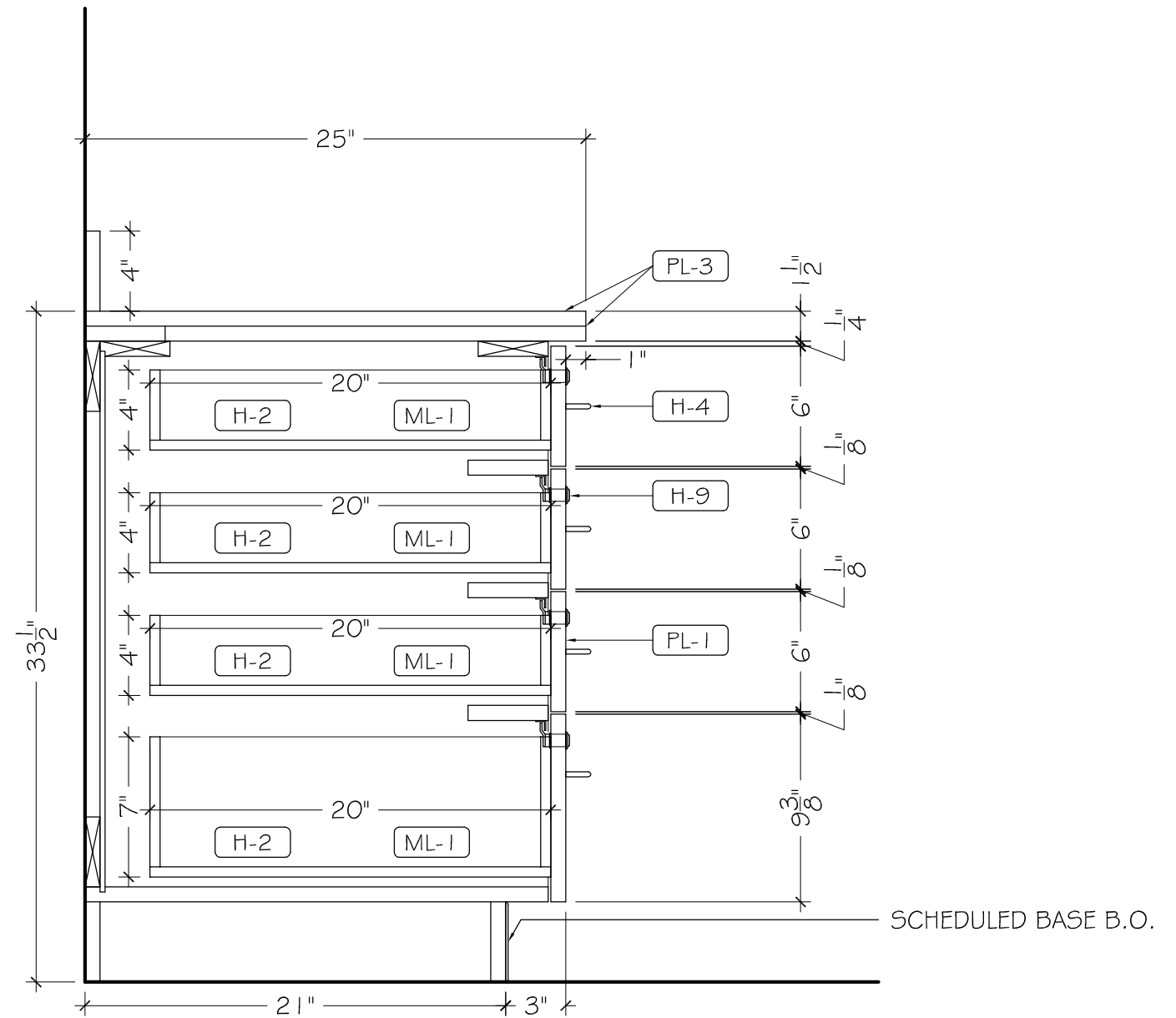


7 VERTICAL SECTION
 SCALE: 1-1/2" = 1'-0"
 REF: F/A-7.2

LAB #2 136		Drawn by: M.G.
Scale:	Ref:	Revised:
Date: 4-12-17		
EDIFICE MEDICAL OFFICE BUILDING		Sheet Number: 10.5

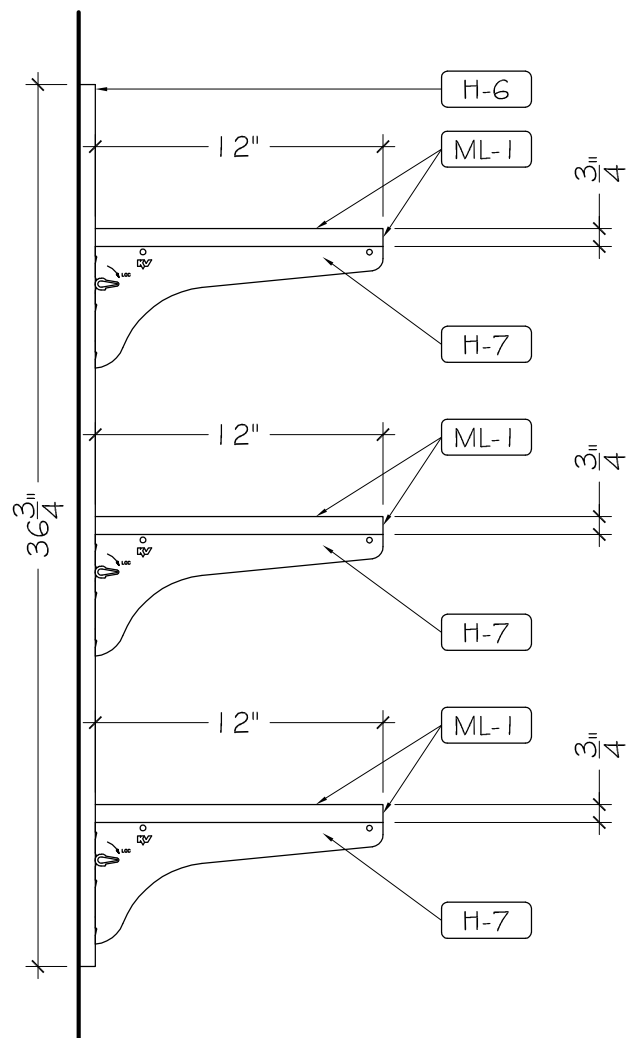


8 VERTICAL SECTION
 SCALE: 1-1/2" = 1'-0"
 REF: B/A-7.2

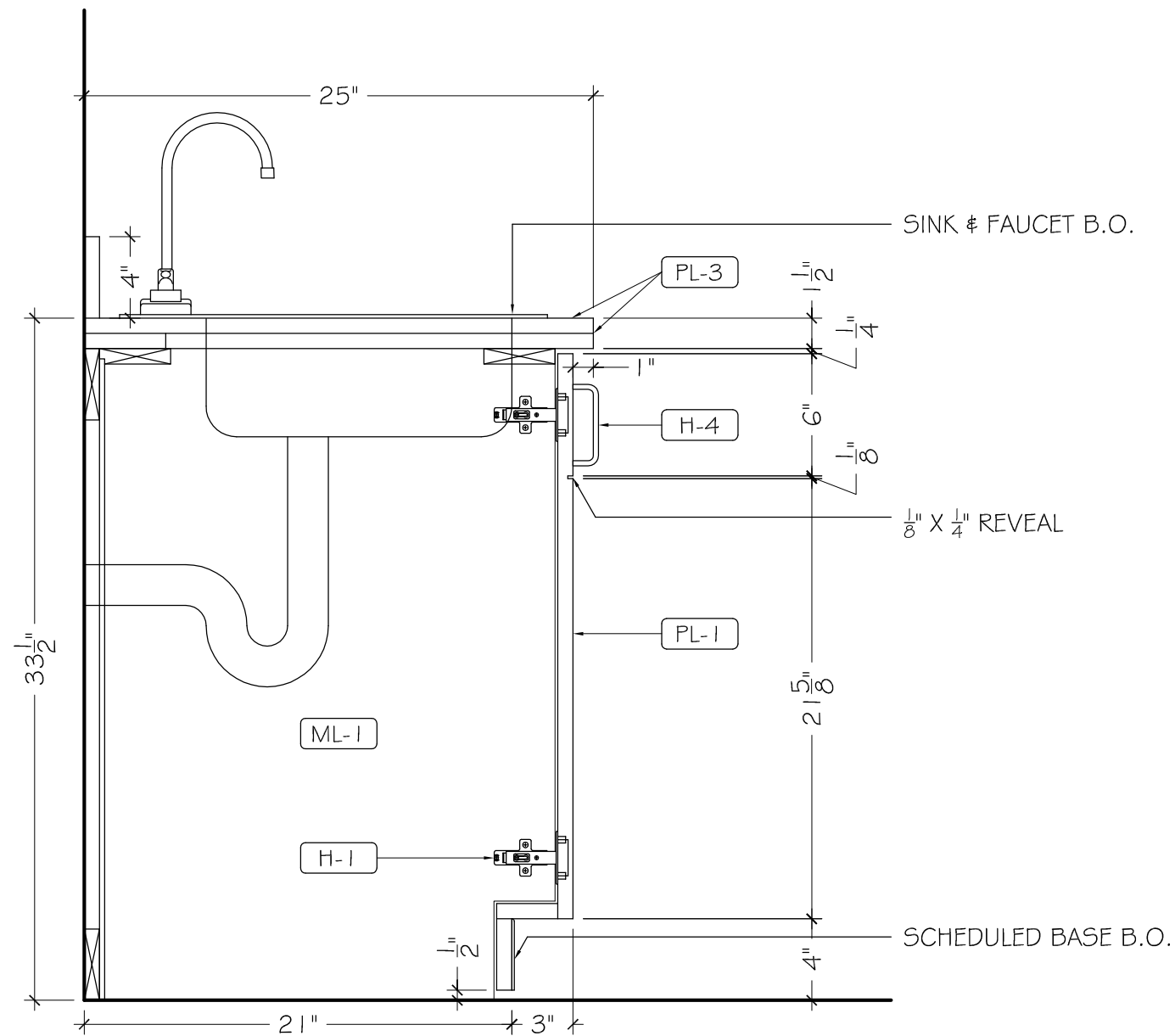


9 VERTICAL SECTION
 SCALE: 1-1/2" = 1'-0"
 REF: N/A

LAB #2 136		Drawn by: M.G.
Scale:	Ref:	Revised:
Date: 4-12-17		
EDIFICE MEDICAL OFFICE BUILDING		Sheet Number: 10.6

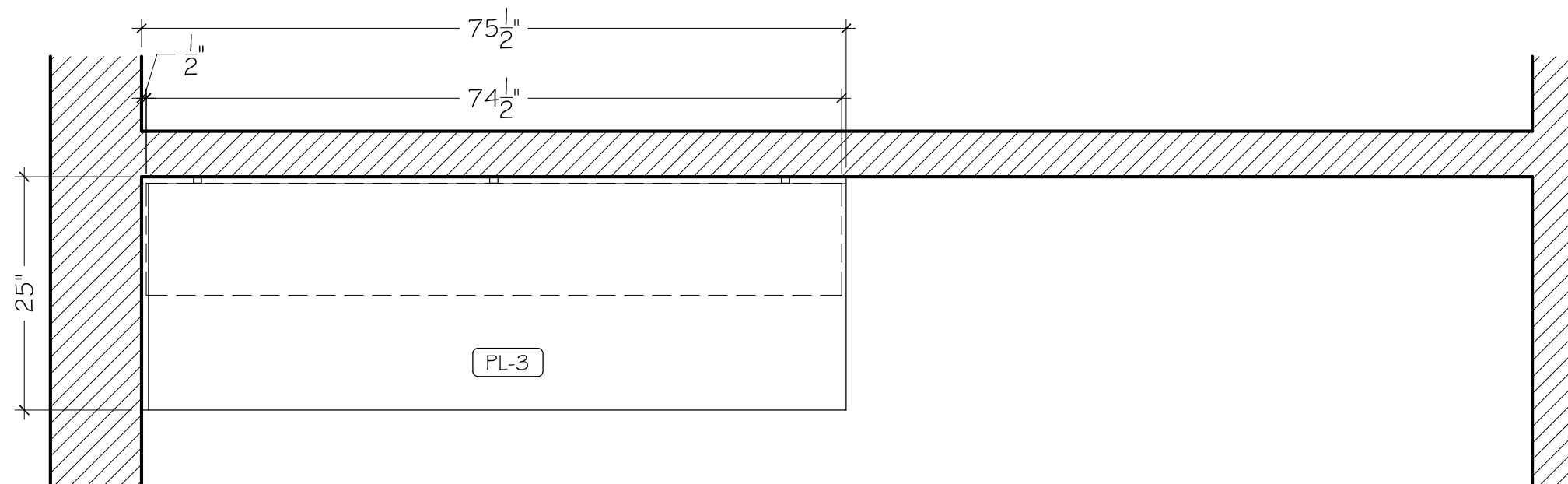


10 VERTICAL SECTION
 SCALE: 1-1/2" = 1'-0"
 REF: N/A



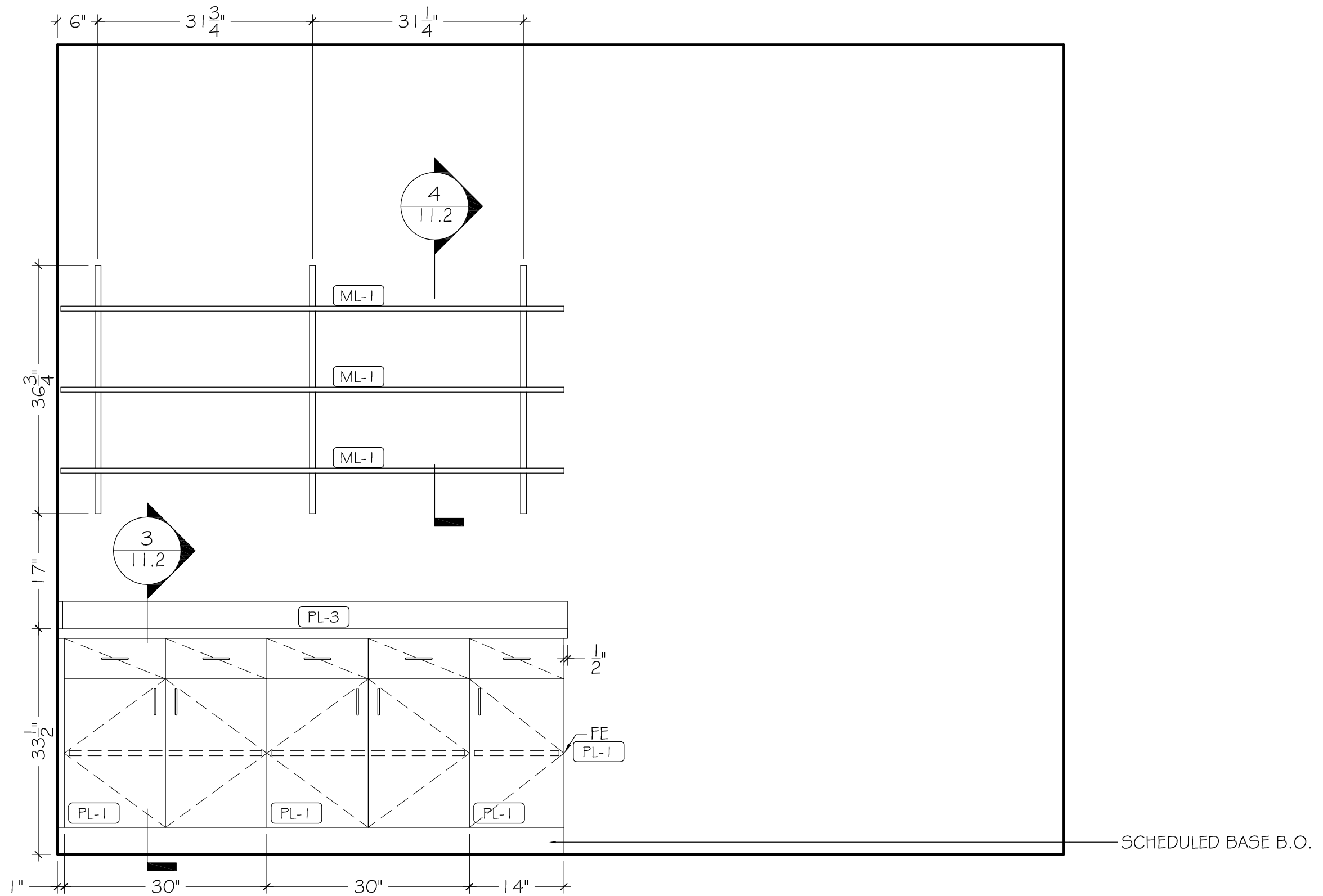
11 VERTICAL SECTION
 SCALE: 1-1/2" = 1'-0"
 REF: A/A-7.2

LAB #2 136		Drawn by: M.G.
Scale:	Ref:	Revised:
Date: 4-12-17		
EDIFICE MEDICAL OFFICE BUILDING		Sheet Number: 10.7



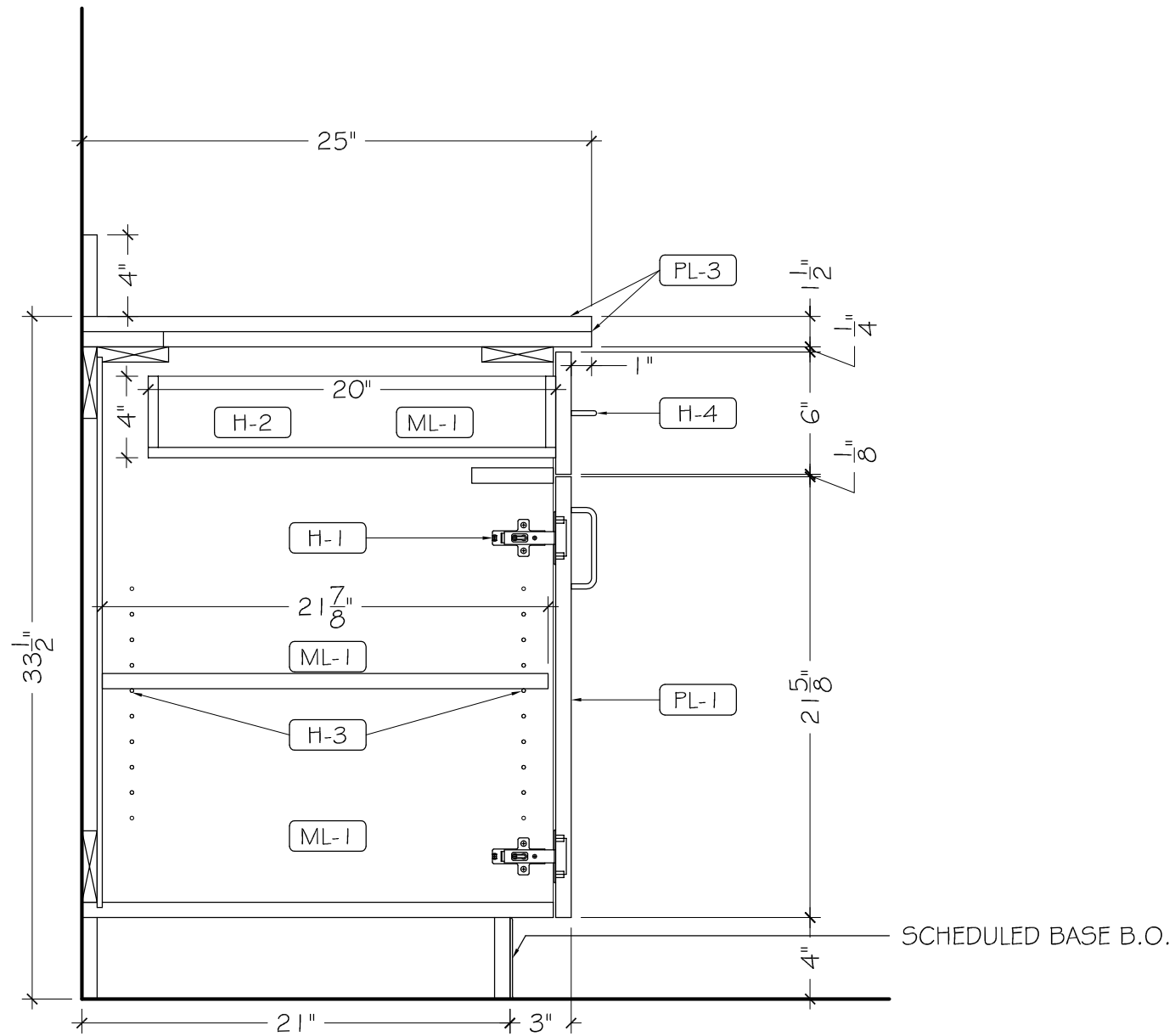
1 PLAN: UTILITY ROOM 143
 SCALE: 3/4" = 1'-0"
 REF: A-2.0

UTILITY ROOM 143		
Scale:	Ref:	Drawn by: M.G.
Date: 4-12-17		Revised:
EDIFICE MEDICAL OFFICE BUILDING		Sheet Number: 11.0

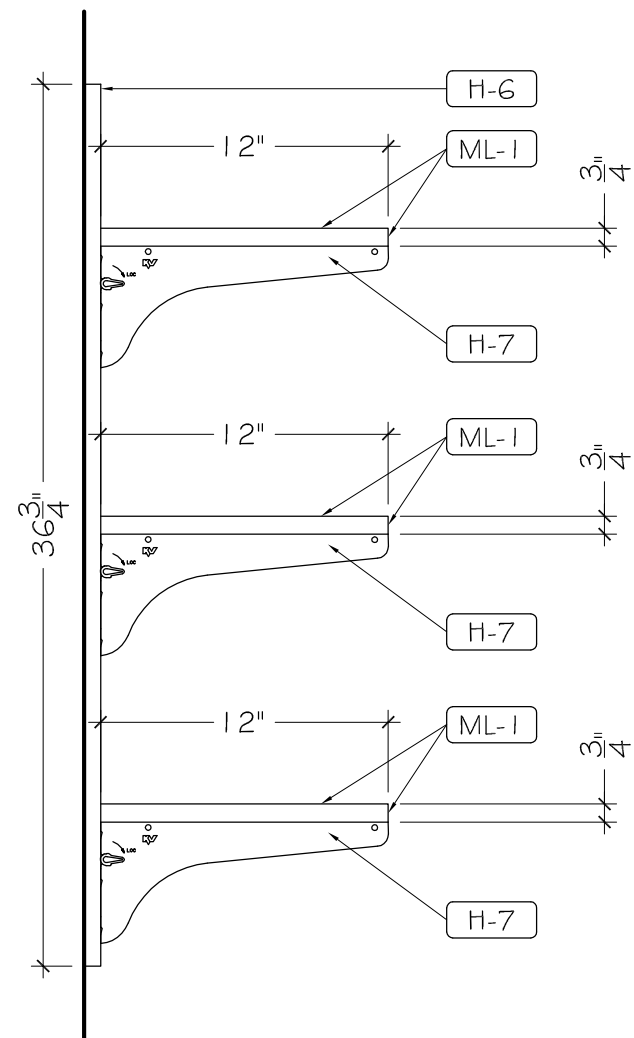


2 ELEVATION: UTILITY ROOM 143
 SCALE: 3/4" = 1'-0"
 REF: 15/A-7.1

UTILITY ROOM 143		Drawn by: M.G.
Scale:	Ref:	Revised:
Date: 4-12-17		
EDIFICE MEDICAL OFFICE BUILDING		Sheet Number: 11.1

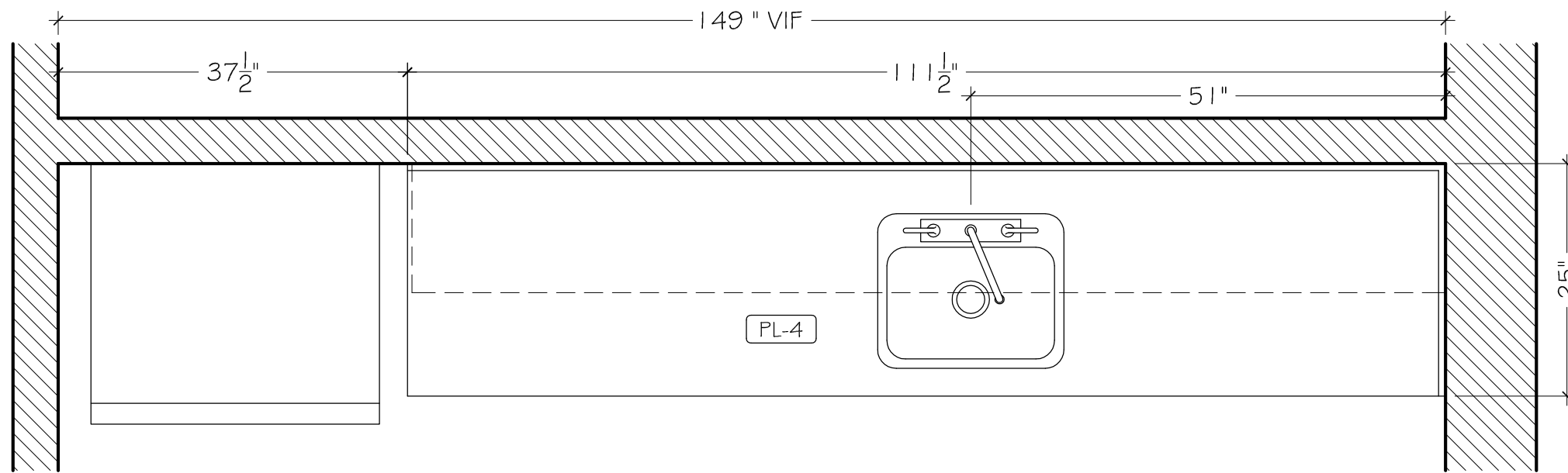


3 VERTICAL SECTION
 SCALE: 1-1/2" = 1'-0"
 REF: B/A-7.2



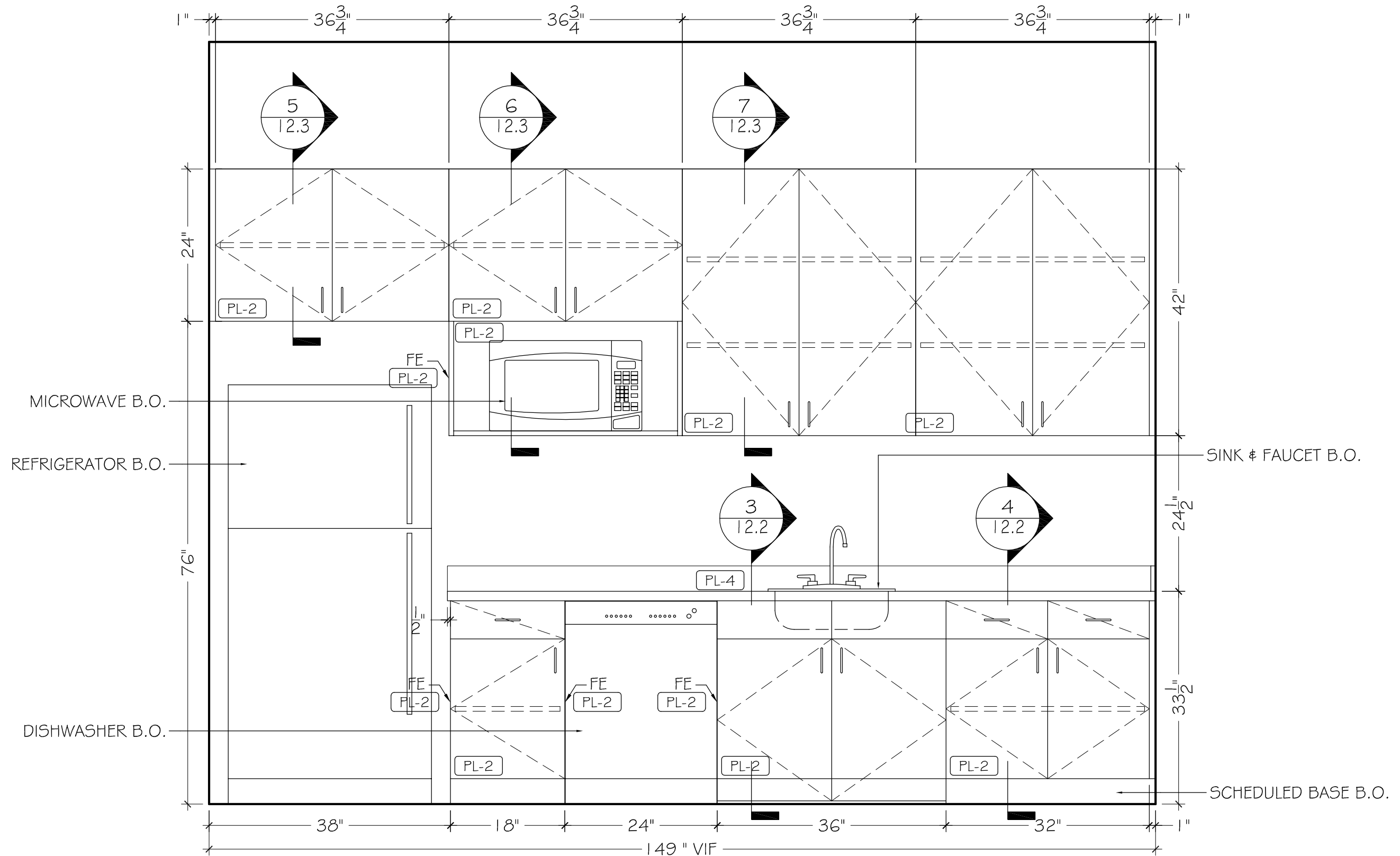
4 VERTICAL SECTION
 SCALE: 1-1/2" = 1'-0"
 REF: N/A

UTILITY ROOM 143		
Scale:	Ref:	Drawn by: M.G.
Date: 4-12-17		Revised:
EDIFICE MEDICAL OFFICE BUILDING		Sheet Number: 11.2



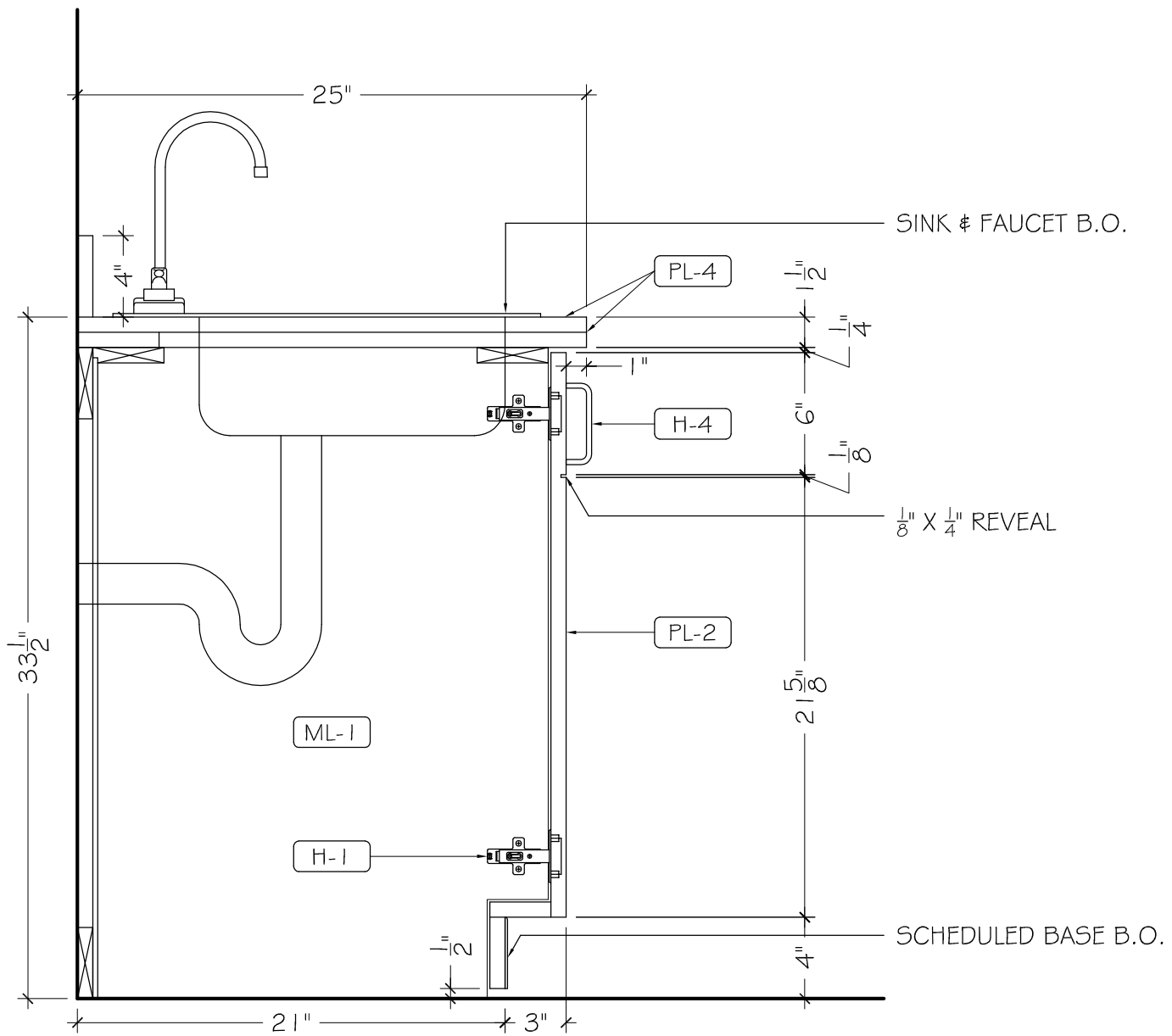
1 PLAN: STAFF LOUNGE 144
 SCALE: 3/4" = 1'-0"
 REF: A-2.0

STAFF LOUNGE 144		
Scale:	Ref:	Drawn by: M.G.
Date: 4-12-17		Revised:
EDIFICE MEDICAL OFFICE BUILDING		Sheet Number: 12.0

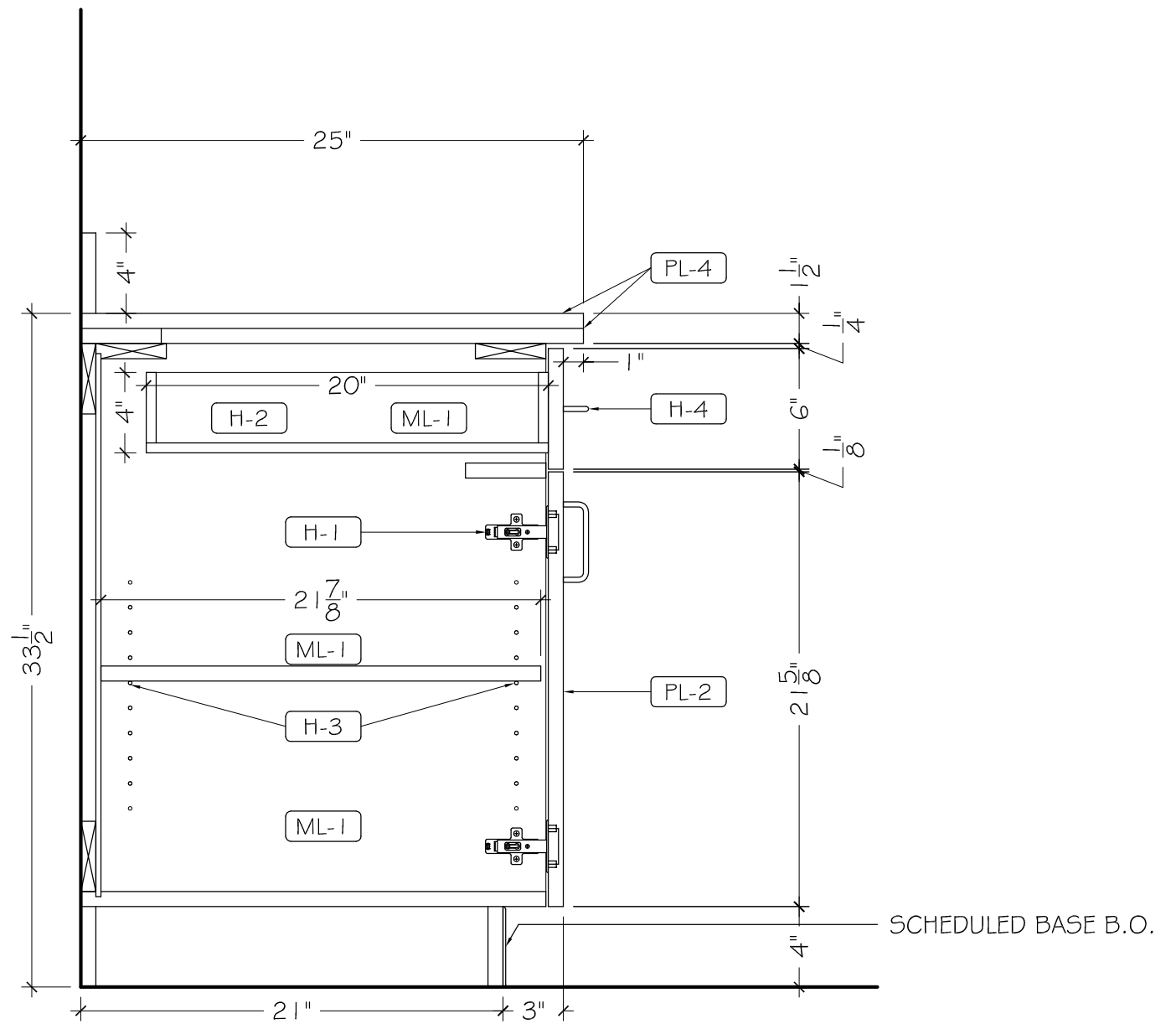


2 ELEVATION: STAFF LOUNGE 144
 SCALE: 3/4" = 1'-0"
 REF: 14/A-7.1

STAFF LOUNGE 144		Drawn by: M.G.
Scale:	Ref:	Revised:
Date: 4-12-17		
EDIFICE MEDICAL OFFICE BUILDING		Sheet Number: 12.1

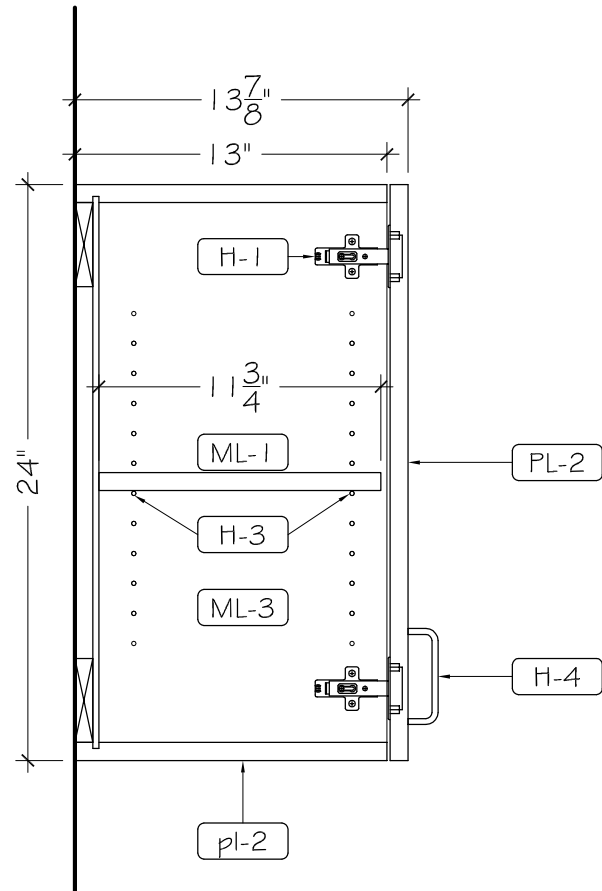


3 VERTICAL SECTION
 SCALE: 1-1/2" = 1'-0"
 REF: A/A-7.2

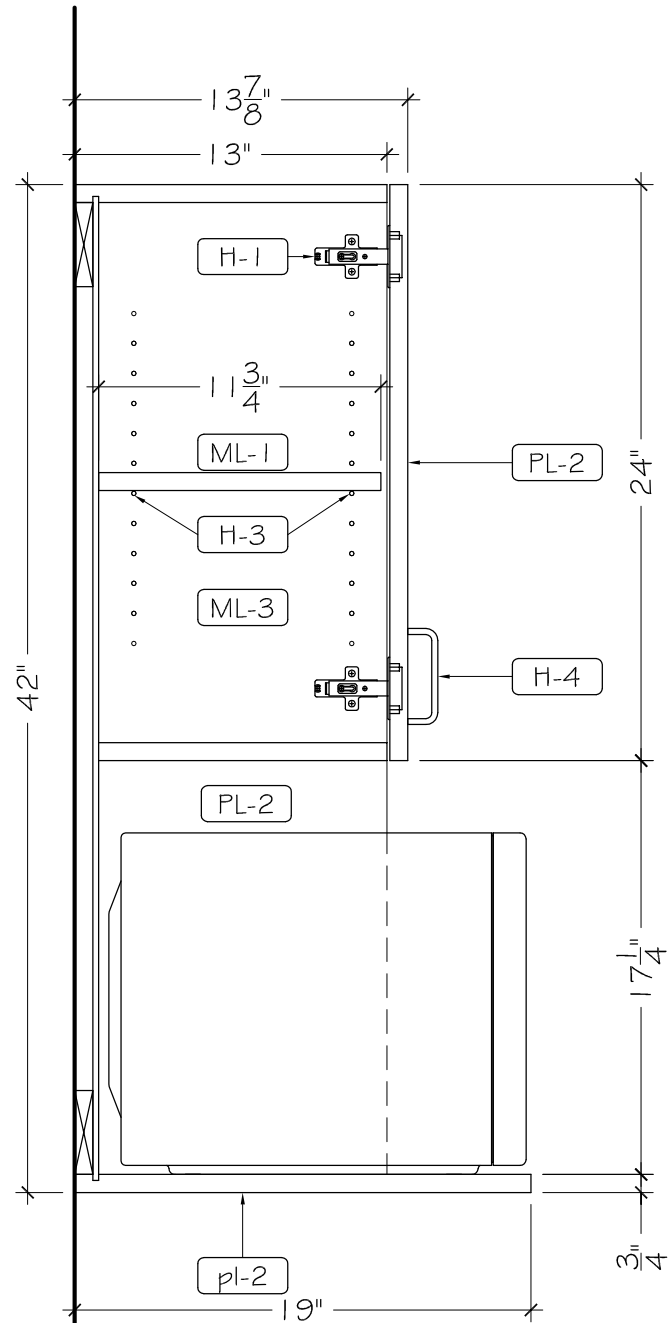


4 VERTICAL SECTION
 SCALE: 1-1/2" = 1'-0"
 REF: B/A-7.2

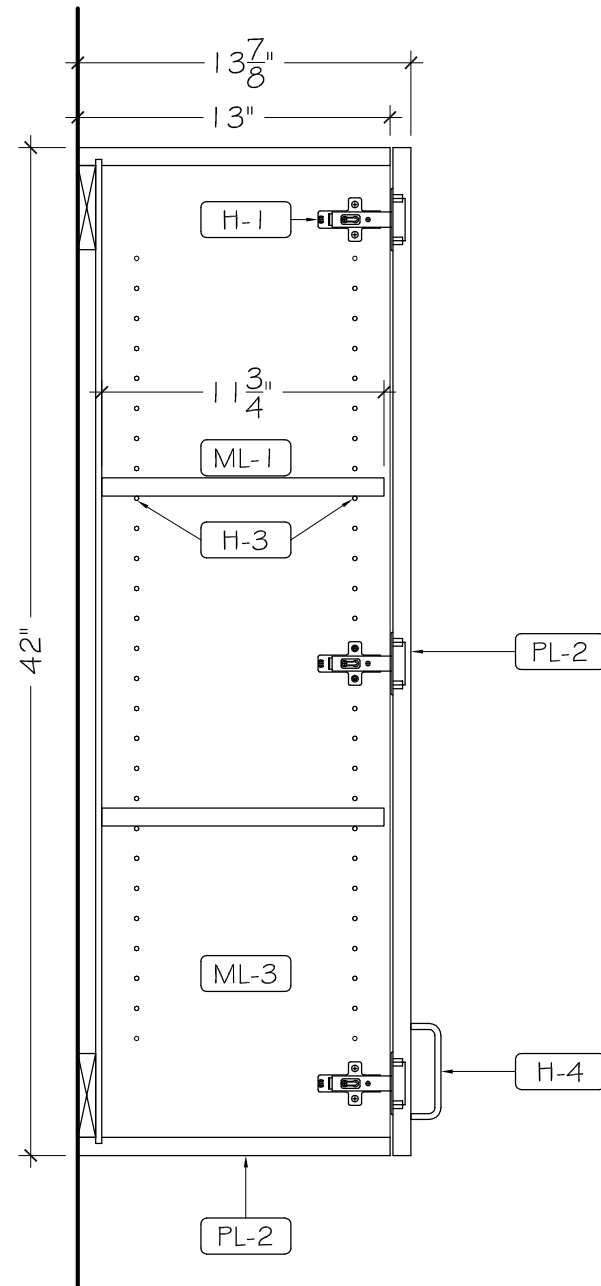
STAFF LOUNGE 144		Drawn by: M.G.
Scale:	Ref:	Revised:
Date: 4-12-17		
EDIFICE MEDICAL OFFICE BUILDING		Sheet Number: 12.2



5 VERTICAL SECTION
 SCALE: 1-1/2" = 1'-0"
 REF: C/A-7.2

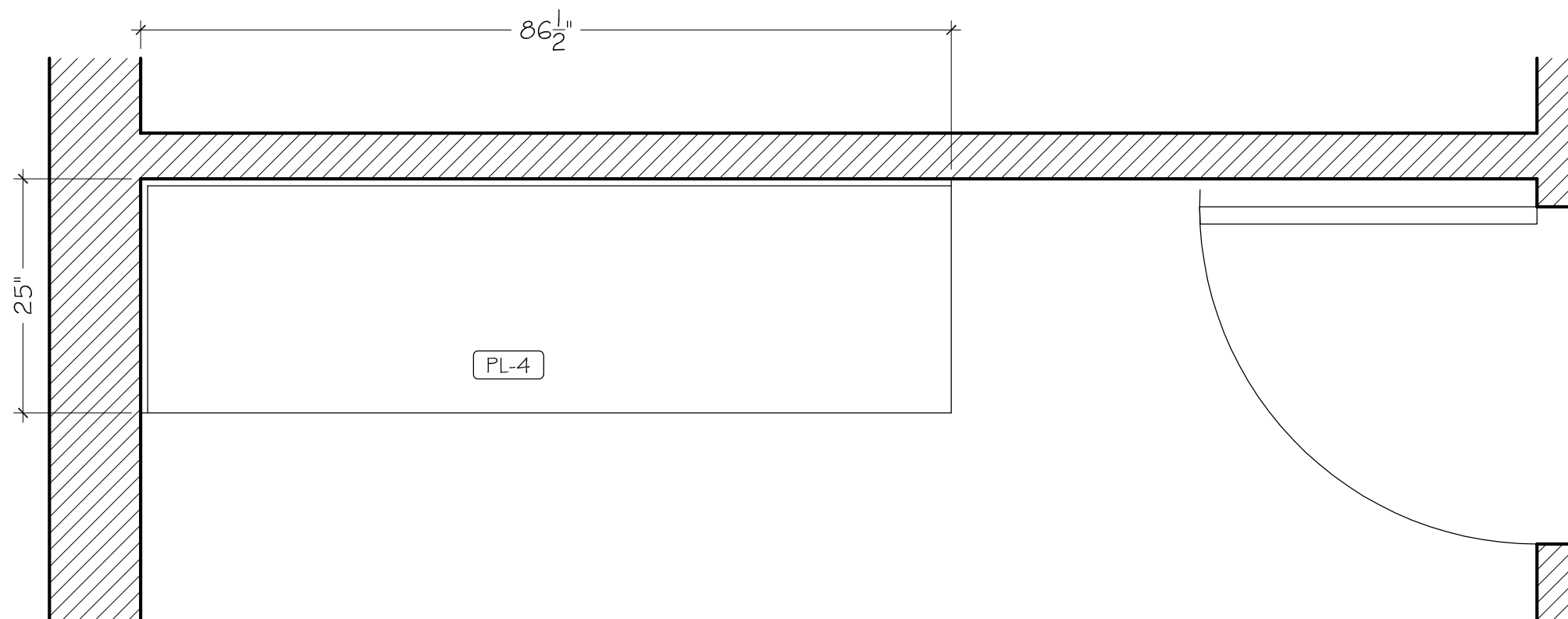


6 VERTICAL SECTION
 SCALE: 1-1/2" = 1'-0"
 REF: N/A



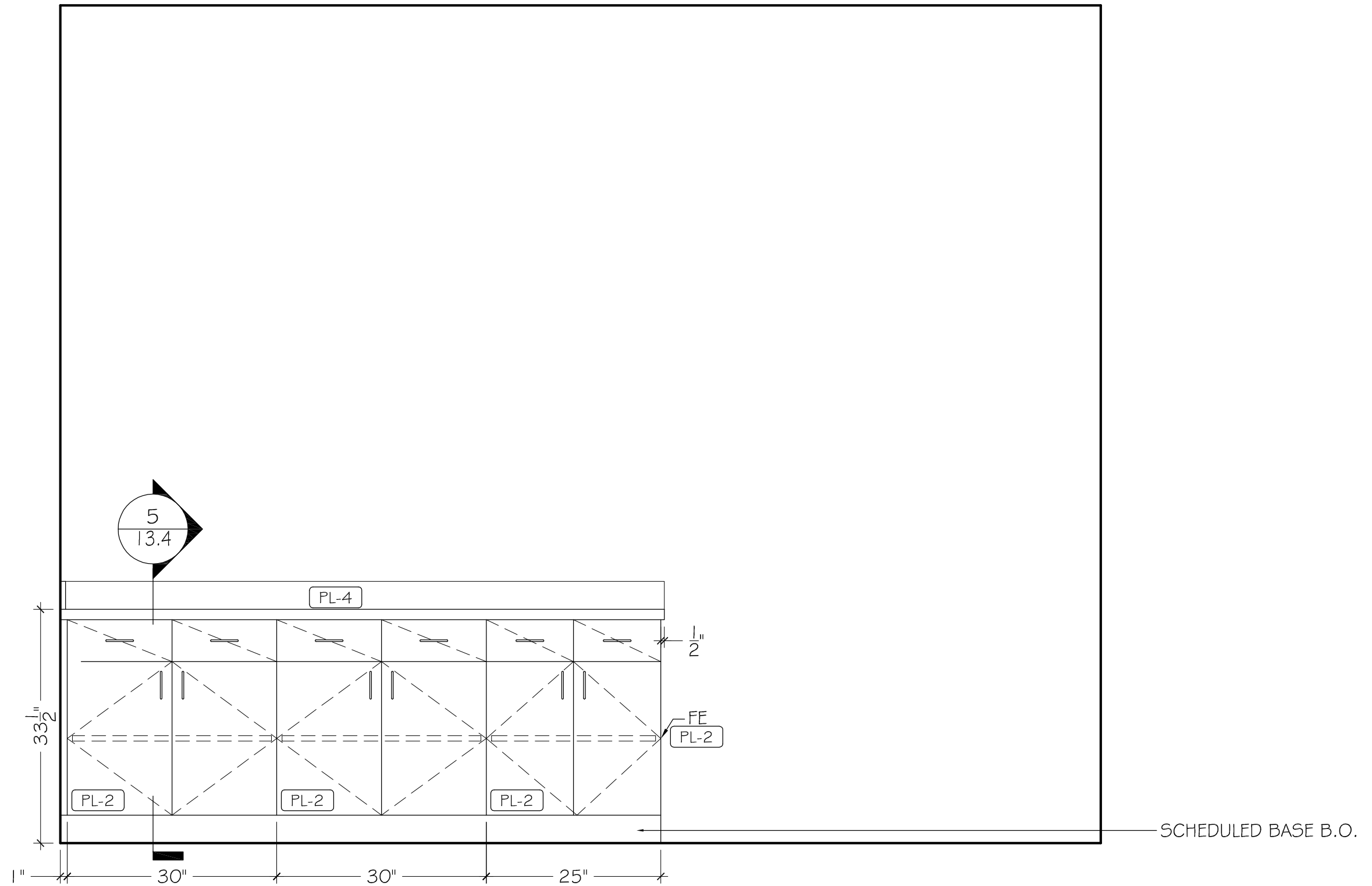
7 VERTICAL SECTION
 SCALE: 1-1/2" = 1'-0"
 REF: C/A-7.2

STAFF LOUNGE 144		
Scale:	Ref:	Drawn by: M.G.
Date: 4-12-17		Revised:
EDIFICE MEDICAL OFFICE BUILDING		Sheet Number: 12.3



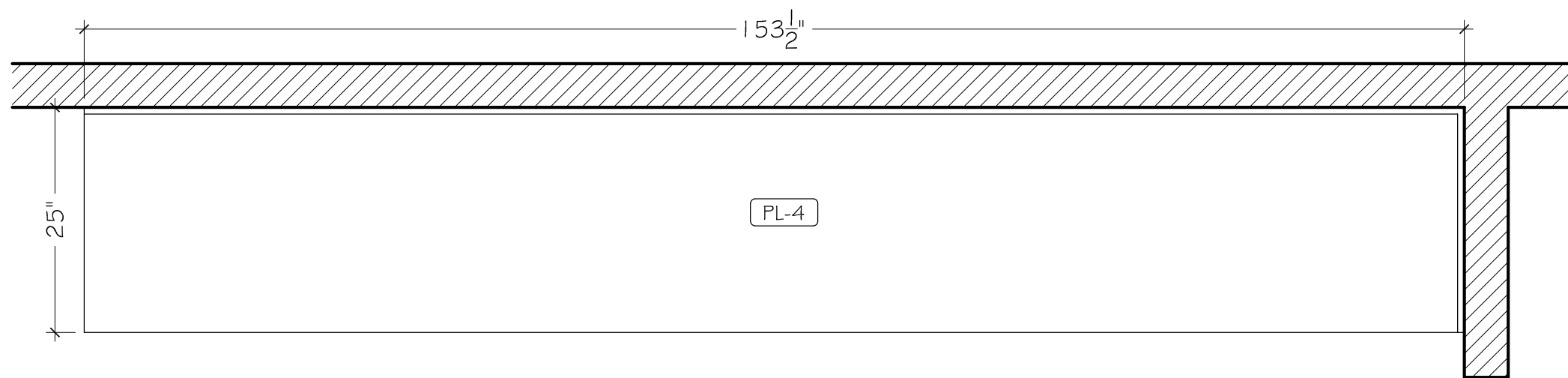
1 PLAN: CONFERENCE ROOM 145
 SCALE: 3/4" = 1'-0"
 REF: A-2.0

CONFERENCE ROOM 145		
Scale:	Ref:	Drawn by: M.G.
Date: 4-12-17		Revised:
EDIFICE MEDICAL OFFICE BUILDING		Sheet Number: 13.0



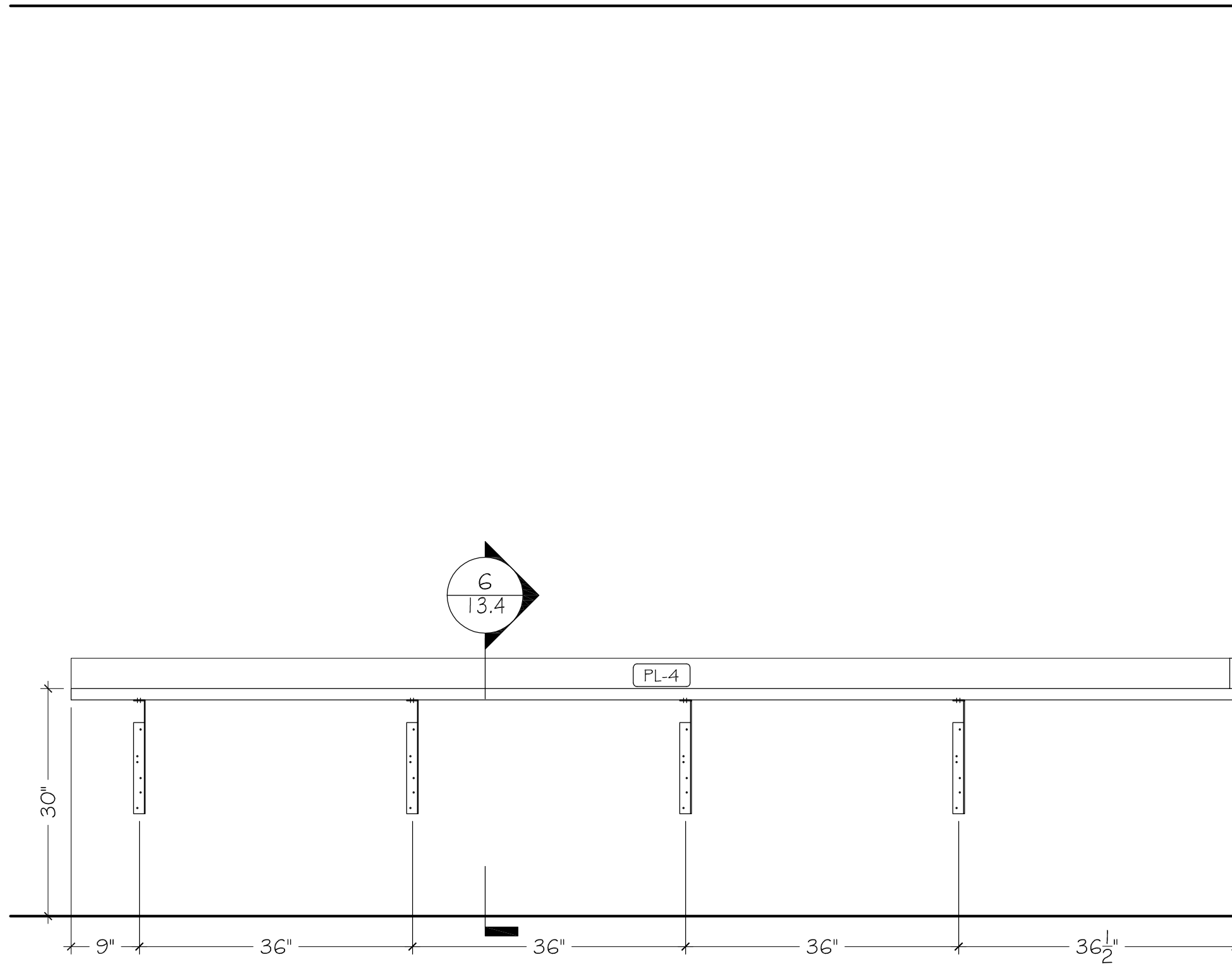
2 ELEVATION: CONFERENCE ROOM 145
 SCALE: 3/4" = 1'-0"
 REF: 20/A-7.1

CONFERENCE ROOM 145		
Scale:	Ref:	Drawn by: M.G.
Date: 4-12-17		Revised:
EDIFICE MEDICAL OFFICE BUILDING		Sheet Number: 13.1



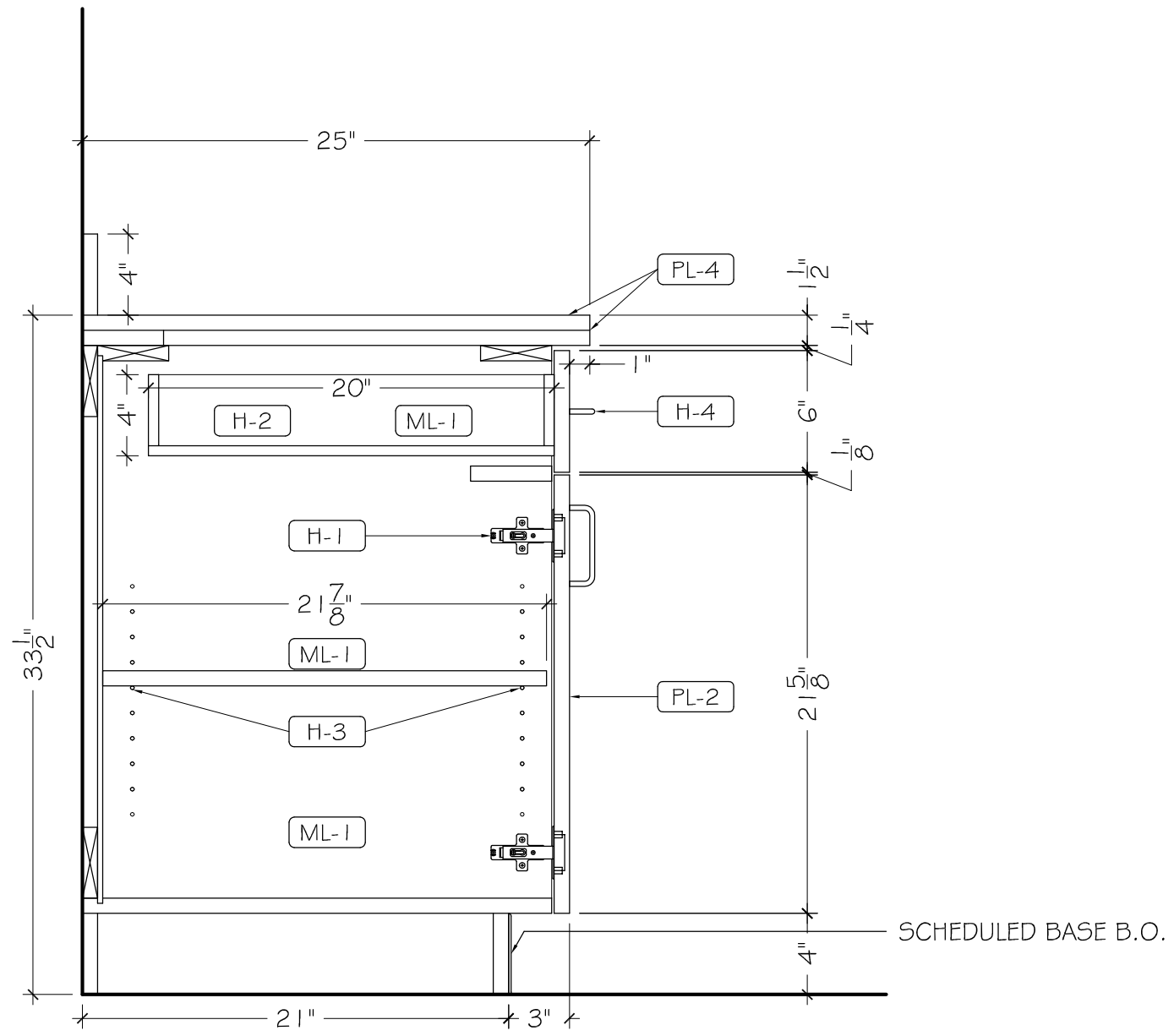
3 PLAN: CONFERENCE ROOM 145
 SCALE: 3/4" = 1'-0"
 REF: A-2.0

CONFERENCE ROOM 145		
Scale:	Ref:	Drawn by: M.G.
Date: 4-12-17		Revised:
EDIFICE MEDICAL OFFICE BUILDING		Sheet Number: 13.2

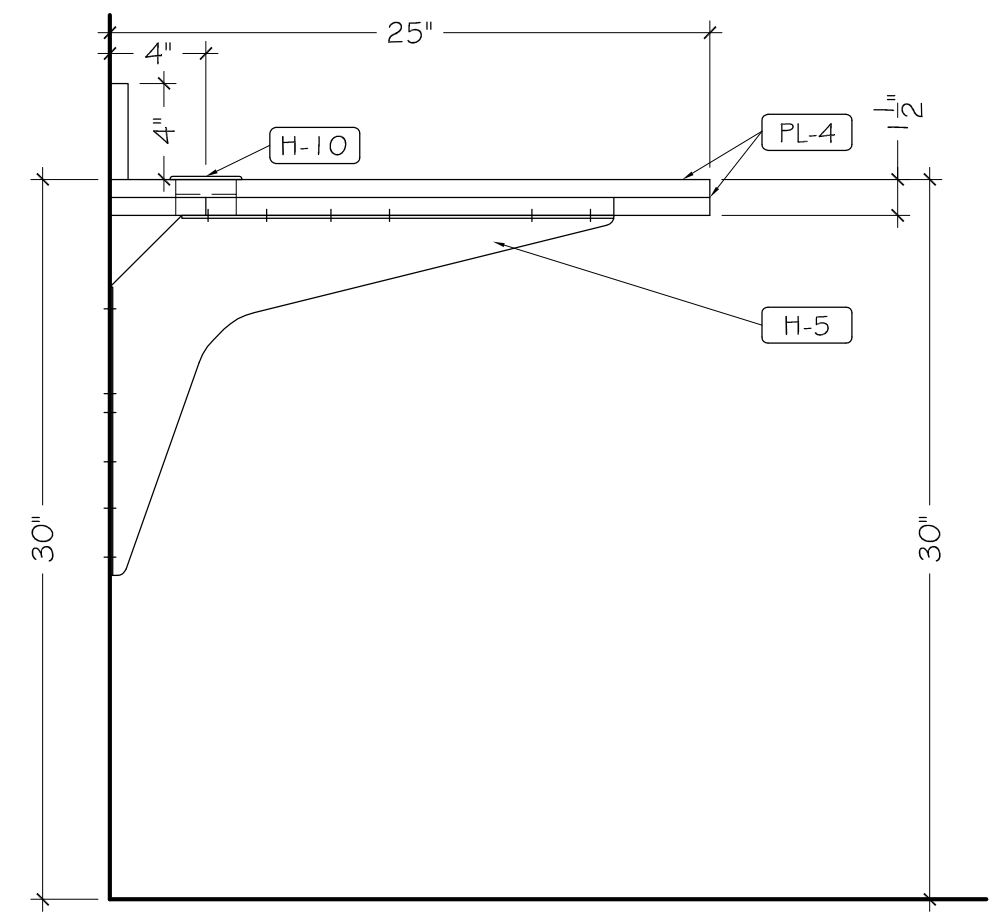


4 ELEVATION: CONFERENCE ROOM 145
 SCALE: 3/4" = 1'-0"
 REF: 24/A-7.1

CONFERENCE ROOM 145		Drawn by: M.G.
Scale:	Ref:	Revised:
Date: 4-12-17		
EDIFICE MEDICAL OFFICE BUILDING		Sheet Number: 13.3



5 VERTICAL SECTION
 SCALE: 1-1/2" = 1'-0"
 REF: B/A-7.2



6 VERTICAL SECTION
 SCALE: 1-1/2" = 1'-0"
 REF: F/A-7.2

CONFERENCE ROOM 145		
Scale:	Ref:	Drawn by: M.G.
Date: 4-12-17		Revised:
EDIFICE MEDICAL OFFICE BUILDING		Sheet Number: 13.4